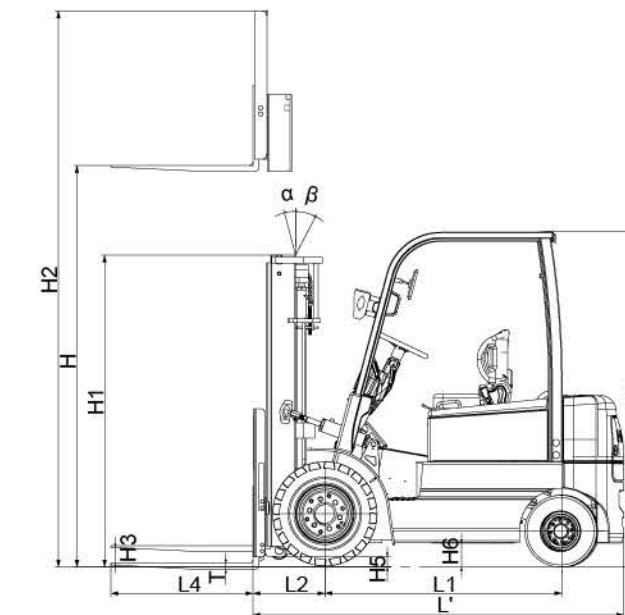


Manufacturer's Data and Design Characteristics

Character		ANHUI HELI CO., LTD.							
1.01	Manufacturer								
1.02	Model		CPD10	CPD15	CPD18	CPD20	CPD25		
1.03	Configuration number		CA1/CA2	CA1/CA2	CC1/CC2	CC1/CC2	CA1/CA2	CA1/CA2	
1.04	Rated capacity	Q	kg	1000	1500	1500	1750	2000	2500
1.05	Load center distance	c	mm	500	500	500	500	500	500
1.06	Power mode			Battery	Battery	Battery	Battery	Battery	Battery
1.07	Driving mode			Seated	Seated	Seated	Seated	Seated	Seated
1.08	Wheel base	L1	mm	1280	1280	1390	1390	1535	1535
Tyre									
2.01	Tyre type			Pneumatic	Pneumatic	Pneumatic	Pneumatic	Pneumatic	Pneumatic
2.02	Wheel number(front/rear)			2/2	2/2	2/2	2/2	2/2	2/2
2.03	Front wheel base	W3	mm	890	890	890	920	960	960
2.04	Rear wheel base	W2	mm	920	920	920	920	950	950
2.05	Tyre (front)			6.50-10-10PR	6.50-10-10PR	6.50-10-10PR	6.50-10-10PR	7.00-12-12PR	7.00-12-12PR
2.06	Tyre(rear)			16x6-8-10PR	16x6-8-10PR	16x6-8-10PR	16x6-8-10PR	18x7-8-14PR	18x7-8-14PR
Size									
3.01	Front overhang	L2	mm	410	410	410	410	465	465
3.02	Mast tilt angle, front/rear	α/β	°	6/12	6/12	6/12	6/12	6/12	6/12
3.03	Height with mast retraction	H1	mm	1995	1995	1995	1995	2000	2000
3.04	Free lifting height	H3	mm	150	150	150	150	170	170
3.05	Max. Lifting height	H	mm	3000	3000	3000	3000	3000	3000
3.06	Max. Height under working condition	H2	mm	4040	4040	4040	4040	4042	4042
3.07	Overhead guard height	H4	mm	2130	2130	2130	2130	2155	2155
3.08	Fork size:thickness*width*length	T*W*L4	mm	32x100x770	35x100x920	35x100x920	35x100x920	40x122x920	40x122x1070
3.09	Fork arm carrier, din standard			2A	2A	2A	2A	2A	2A
3.10	Truck body length (fork excluded)	L'	mm	2065	2175	2065	2175	2400	2400
3.11	Truck body width	W1	mm	1086	1086	1086	1086	1170	1170
3.12	Turning radius	r	mm	1770	1770	1880	1880	2065	2065
3.13	Clearance between mast and ground	H5	mm	110	110	110	110	115	115
3.14	Clearance between wheel base center and ground(loaded)	H6	mm	120	120	120	120	135	135
3.15	Right angle stacking aisle width (pallet1000x1000mm, clearance 200mm)	Ast	mm	3380	3380	3490	3490	3730	3800
3.16	Right angle stacking aisle width (pallet1200x1200mm, clearance 200mm)	Ast	mm	3580	3580	3690	3690	3930	3930
3.17	Lateral fork adjustment(outside of forks)max./min.			960/200	960/200	960/200	960/200	1030/244	1030/244
Performance									
4.01	Travelling speed: loaded/unloaded		km/h	14/15	14/15	14/15	14/15	14/15	14/15
4.02	Lifting speed: loaded/unloaded		m/s	0.29/0.45	0.27/0.45	0.27/0.45	0.28/0.53	0.28/0.49	0.26/0.49
4.03	Lowering speed		m/s	0.45	0.45	0.45	0.45	0.45	0.45
4.04	Gradeability (loaded)		%	18	17	17	15	16	15
4.05	Max. Traction force (loaded)		N	7800	8600	8800	9500	12300	12800
4.06	Acceleration time (10m) loaded/unloaded		s	5.2/5.0	5.4/5.2	5.4/5.2	5.6/5.4	5.6/5.4	6.2/6.0
Weight									
5.01	Total weight (with /without battery)		kg	2680/2030	2950/2300	2980/2220	3150/2390	4080/3080	4230/3230
5.02	Axle load: unloaded, front/rear		kg	1215/1465	1330/1620	1445/1535	1450/1700	1960/2120	1950/2280
5.03	Axle load: loaded, front/rear		kg	3900/600	3900/550	4400/550	4400/550	5920/860	6020/710
Battery									
6.01	Battery voltage/capacity k5		V/Ah	48/400	48/400	48/480	48/480	48/600	48/600
6.02	Battery weight		kg	650 (650-900)	650 (650-900)	750 (750-1050)	750 (750-1050)	980 (980-1300)	980 (980-1300)
6.03	Battery, din standard			43531A	43531A	43531A	43531A	43531B	43531B
Motor and controller									
7.01	Drive motor power-60 minutes		kW	8.0	8.0	8.0	8.0	11.1	11.1
7.02	Lifting motor power-15 minutes		kW	7.5	7.5	7.5	8.6	10.5	10.5
7.03	Drive motor controlling mode			MOSFET/AC	MOSFET/AC	MOSFET/AC	MOSFET/AC	MOSFET/AC	MOSFET/AC
7.04	Lifting motor controlling mode			MOSFET/DC	MOSFET/DC	MOSFET/DC	MOSFET/DC	MOSFET/DC	MOSFET/DC
7.05	Service brake/parking brake			Hydraulic/Mechanical	Hydraulic/Mechanical	Hydraulic/Mechanical	Hydraulic/Mechanical	Hydraulic/Mechanical	Hydraulic/Mechanical
7.06	Hydraulic system working pressure		Mpa	14.5	14.5	14.5	17.5	17.5	17.5

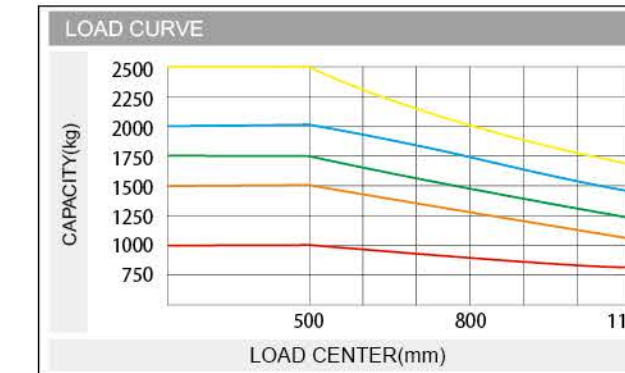
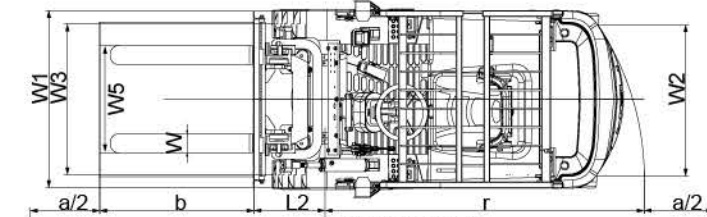
NOTE: 1.*Detailed information about battery, please contact our salesmen or engineer.
2. 1: CURTIS Controller; 2: ZAPI Controller.



Ast: Right angle stacking aisle width

a: Clearance

b: Load Length



CPD10 CPD15 CPD18 CPD20 CPD25

NOTE: The vertical axis stands for load capacity and the horizontal axis stands for load center which is calculated from the front surface of the forks to the gravity of the standard load. The standard load means a cubic with 100mm edge length. When mast is tilted forward, using non-standard forks or loading large goods, the load capacity will be reduced. The load capacity of standard mast at different load center can be known from this load chart.

WIDE VIEW MAST

Mast model	Max lifting height (mm)	Load capacity (load center 500mm)(kg)					Mast overall height (fork to the ground) (mm)		Service weight(kg)					Mast tilt angle (°)α/β	
		1t	1.5t	1.8t	2t	2.5t	1-1.8t	2-2.5t	1t	1.5(A)	1.5(C)	1.8t	2t		2.5t
M200	2000	1000	1500	1750	2000	2500	1745	1750	2615	2885	2915	3085	3990	4140	6/12
M250	2500	1000	1500	1750	2000	2500	1745	1750	2645	2915	2945	3115	4035	4185	6/12
M300	3000	1000	1500	1750	2000	2500	1995	2000	2680	2950	2980	3250	4080	4230	6/12
M330	3300	1000	1500	1750	2000	2500	2145	2150	2700	2970	3000	3170	4105	4255	6/12
M350	3500	1000	1500	1750	2000	2500	2245	2250	2710	2980	3010	3180	4125	4275	6/12
M370	3700	1000	1500	1750	2000	2500	2345	2350	2725	2995	3025	3195	4140	4290	6/6
M400	4000	1000	1500	1700	2000	2450	2545	2550	2775	3045	3075	3245	4200	4350	6/6
M425	4250	1000	1400	1650	1850	2250	2670	2675	2790	3060	3090	3260	4225	4375	6/6
M450	4500	950	1350	1550	1800	2150	2795	2800	2805	3075	3105	3275	4250	4400	6/6
M500	5000	930	1000	1150	1300	1600	3045	3050	2840	3110	3140	3310	4295	4445	6/6
M550	5500	900	950	1100	1250	1500	3345	3350	2900	3170	3200	3370	4370	4520	6/6
M600	6000	600	600	750	850	950	3595	3600	2930	3200	3230	3400	4420	4570	6/6

NOTE: (1) * refers to rated capacity with double tires.

WIDE VIEW FULL FREE 2-STAGE MAST

Mast model	Max lifting height (mm)	Load capacity (load center 500mm)(kg)					Mast overall height (mm)		Free lifting height (with backrest)(mm)		Service weight(kg)					Mast tilt angle (°)α/β	
		1t	1.5t	1.8t	2t	2.5t	1-1.8t	2-2.5t	1-1.8t	2-2.5t	1t	1.5(A)	1.5(C)	1.8t	2t		2.5t
ZM200	2000	1000	1500	1750	2000	2500	1495	1500	485	495	2660	2930	2960	3160	4045	4195	6/12
ZM250	2500	1000	1500	1750	2000	2500	1745	1750	735	745	2690	2960	2990	3160	4045	4195	6/12
ZM300	3000	1000	1500	1750	2000	2500	1995	2000	985	995	2725	2995	3025	3295	4095	4245	6/12
ZM330	3300	1000	1500	1750	2000	2500	2145	2150	1135	1145	2750	3020	3050	3320	4115	4265	6/12
ZM350	3500	1000	1500	1750	2000	2500	2245	2250	1285	1295	2760	3030	3060	3330	4145	4295	6/12
ZM370	3700	1000	1500	1750	2000	2450	2345	2350	1335	1345	2775	3045	3075	3345	4160	4310	6/6
ZM400	4000	1000	1500	1750	2000	2400	2545	2550	1535	1545	2825	3095	3125	3395	4225	4375	6/6
ZM425	4250	1000	1400	1650	1850	2250	2670	2675	1660	1670	2840	3110	3140	3410	4250	4400	6/6
ZM450	4500	950	1350	1550	1800	2150	2795	2800	1785	1795	2860	3130	3160	3430	4275	4425	6/6
ZM500	5000	930	1000	1150	1300	1600	3045	3050	2035	2045	2895	3165	3195	3465	4320	4470	6/6
ZM550	5500	900	950	1100	1250	1500	3345	3350	2335	2345	2955	3225	3255	3525	4405	4555	6/6
ZM600	6000	600	600	750	850	950	3595	3600	2585	2595	2990	3260	3290	3560	4455	4605	6/6

NOTE: (1) * refers to rated capacity with double tires.
(2) 1-1.8T: free lifted height 365mm increased without backrest.
(3) 2-2.5T: free lifted height 290mm increased without backrest.

WIDE VIEW FULL FREE 3-STAGE MAST

Mast model	Max lifting height (mm)	Load capacity (load center 500mm)(kg)					Mast overall height (mm)		Free lifting height (with backrest)(mm)		Service weight(kg)					Mast tilt angle (°)α/β	
		1t	1.5t	1.8t	2t	2.5t	1-1.8t	2-2.5t	1-1.8t	2-2.5t	1t	1.5(A)	1.5(C)	1.8t	2t		2.5t
ZSM360	3600	1000	1450	1750	2000	2400	1790	1795	695	705	2775	3045	3075	3345	4205	4355	6/6
ZSM400	4000	1000	1400	1600	1900	2300	1925	1920	910	920	2800	3070	3100	3370	4240	4390	6/6
ZSM435	4350	950	1300	1500	1850	2200	2040	2045	1025	1035	2820	3090	3120	3390	4275	4425	6/6
ZSM450	4500	950	1300	1500	1850	2100	2090	2095	1075	1085	2830	3100	3130	3400	4285	4435	6/6
ZSM470	4700	930	1280	1450</													