

40-8FD60N/70N, 8FG60N/70N

Specifications				8FG60N	40-8FD60N	8FG70N	40-8FD70N	
Identification	1.1	Manufacturer		Toyota	Toyota	Toyota	Toyota	
	1.2	Model		8FG60N	40-8FD60N	8FG70N	40-8FD70N	
	1.3	Drive		LPG	Diesel	LPG	Diesel	
	1.4	Operator type		Driver seated	Driver seated	Driver seated	Driver seated	
	1.5	Load capacity/rated load	Q	kg	6000	6000	7000	7000
	1.6	Load centre	c	mm	600	600	600	600
	1.8	Load distance, centre of drive axle to fork	x	mm	580	580	585	585
	1.9	Wheelbase	y	mm	2250	2250	2250	2250
	Weight	2.1	Service weight		kg	8370	8390	9030
2.2		Axle load with load, front/rear		kg	12900/1470	12860/1530	14300/1760	14340/1785
2.3		Axle load without load, front/rear		kg	3750/4620	3715/4675	3610/5420	3650/5475
Tyres	3.1	Tyres - Pneumatic (P),Pneumatic shaped cushion (PSC), Solid rubber (R)			P	P	P	P
	3.2	Tyre size, front			8.25-15-14PR	8.25-15-14PR	8.25-15-14PR	8.25-15-14PR
	3.3	Tyre size, rear			8.25-15-14PR	8.25-15-14PR	8.25-15-14PR	8.25-15-14PR
	3.5	Wheels, number front/rear (x = driven)			2x-4x/2	2x-4x/2	2x-4x/2	2x-4x/2
	3.6	Track width, front	b ₁₀	mm	1440	1440	1440	1440
	3.7	Track width, rear	b ₁₁	mm	1460	1460	1460	1460
	Dimensions	4.1	Tilt of mast/fork carriage forward/backward	α/β	deg	6/12	6/12	6/12
4.2		Height, mast lowered	h ₁	mm	2460	2460	2460	2460
4.3		Free lift	h ₂	mm	125	125	125	125
4.4		Lift	h ₃	mm	2940	2940	2935	2935
		Lift height	h ₂₃	mm	3000	3000	3000	3000
4.5		Height, mast extended	h ₄	mm	4435	4435	4435	4435
4.7		Height of overhead guard (cab) ¹⁾	h ₆	mm	2385	2385	2385	2385
4.8		Seat height	h ₇	mm	1128	1128	1128	1128
4.12		Coupling height	h ₁₀	mm	485	485	485	485
4.19		Overall length	l ₁	mm	4690	4690	4745	4745
4.20		Length to face of forks	l ₂	mm	3490	3490	3545	3545
4.21		Overall width	b ₁	mm	1965	1965	1965	1965
4.22		Fork dimensions	s/e/l	mm	65/150/1200	65/150/1200	65/150/1200	65/150/1200
4.23		Fork carriage DIN 15 173, class/type A, B			IV A	IV A	IV A	IV A
4.24		Fork-carriage width	b ₃	mm	1700	1700	1700	1700
4.31		Ground clearance, with load, below mast	m ₁	mm	125	125	125	125
4.32		Ground clearance, centre of wheelbase	m ₂	mm	250	250	250	250
4.33		Aisle width for pallets 1000x1200 crossways	A _{st}	mm	5010	5010	5065	5065
4.34		Aisle width for pallets 800x1200 lengthways	A _{st}	mm	5210	5210	5265	5295
4.35		Turning radius	W _a	mm	3230	3230	3230	3230
4.36	Internal turning radius	b ₁₃	mm	930	930	980	980	
Performance data	5.1	Travel speed, with/without load		km/h	19/21	19/21	19/21	19/21
	5.2	Lift speed, with/without load		m/s	0,41/0,44	0,39/0,42	0,41/0,44	0,38/0,42
	5.3	Lowering speed, with/without load		m/s	0,53/0,48	0,53/0,48	0,53/0,48	0,53/0,48
	5.6	Max. drawbar pull, with/without load		N	46000/20900	46000/20900	46000/20900	45000/20500
	5.7	Gradeability, with load		%	24	24	21	21
	5.8	Max. gradeability, with/without load ²⁾		%	34/24	34/24	30/21	30/21
	5.10	Service brake			Hydraulic	Hydraulic	Hydraulic	Hydraulic
Combustion engine	7.1	Engine manufacturer/type			Toyota 1FS	Toyota 1KD	Toyota 1FS	Toyota 1KD
	7.2	Engine power (ISO 1585)		kW	69	55	69	55
	7.3	Rated speed		min ⁻¹	2550	2200	2550	2200
	7.4	No. of cylinders/displacement		cm ³	4/3685	4/2982	4/3685	4/2982
	7.5a	Fuel consumption (VDI cycle)		l/h		6,7		7,4
	7.5b	Fuel consumption (VDI cycle)		kg/h	6,1		6,6	
	Other	8.2	Operating pressure for attachments		bar	210	210	210
8.3		Oil volume for attachments		l/min	128	128	128	128
8.4		Sound level at the driver's ear according to EN 12 053		dB(A)	80	79	80	79

1) Overhead guard dimensions reflected in the specification sheet are based on optional overhead guard (+75mm) TMHE recommends this optional height for trucks sold in Europe for reasons of additional comfort for majority of European drivers.

2) Computed values.

Mast dimensions and rated capacities

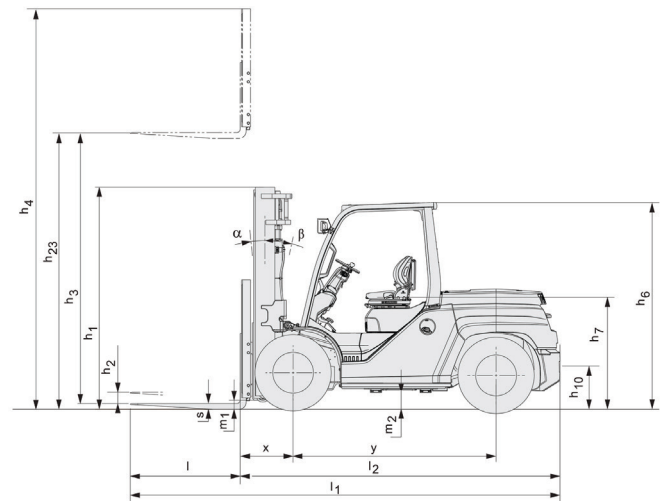
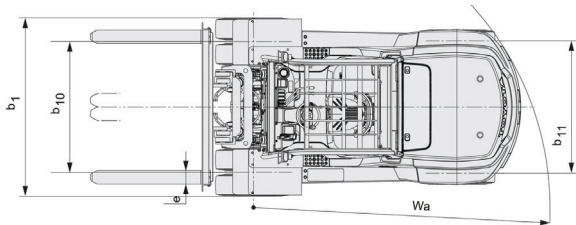
Model			V									FSV				
8FG/60N	Lift height	h_{23}	3000	3300	3500	3700	4000	4500	5000	5500	6000	4000	4300	4700	5000	6000
	Lift	h_3	2940	3240	3440	3640	3940	4440	4940	5440	5940	3940	4240	4640	4940	5940
	Height, mast lowered	h_1	2460	2610	2710	2810	3060	3310	3560	3810	4060	2360	2460	2550	2810	3110
	Height, mast extended ¹⁾	h_4	3980	4280	4480	4680	4980	5480	5980	6480	6980	5060	5360	5750	6160	7110
	Height, mast extended ²⁾	h_4	4435	4735	4935	5135	5435	5935	6435	6935	7435	5435	5735	6135	6435	7435
	Free lift, without load backrest	h_2	125	125	125	125	125	125	125	125	125	1365	1465	1565	1715	2065
	Free lift, with load backrest	h_2	125	125	125	125	125	125	125	125	125	990	1090	1180	1440	1740

Model			V									FSV				
8FG/70N	Lift height	h_{23}	3000	3300	3500	3700	4000	4500	5000	5500	6000	4000	4300	4700	5000	6000
	Lift	h_3	2935	3235	3435	3635	3935	4435	4935	5435	5935	3935	4235	4635	4935	5935
	Height, mast lowered	h_1	2460	2610	2710	2810	3060	3310	3560	3810	4060	2360	2460	2550	2810	3110
	Height, mast extended ¹⁾	h_4	3980	4280	4480	4680	4980	5480	5980	6480	6980	5060	5360	5750	6160	7110
	Height, mast extended ²⁾	h_4	4435	4735	4935	5135	5435	5935	6435	6935	7435	5435	5735	6135	6435	7435
	Free lift, without load backrest	h_2	125	125	125	125	125	125	125	125	125	1365	1465	1565	1715	2065
	Free lift, with load backrest	h_2	125	125	125	125	125	125	125	125	125	990	1090	1180	1440	1740

Dual tyre			V									FSV				
8FG/60N	Tilt range, forward	deg	6	6	6	6	6	6	6	6	6	6	6	6	6	6
	Tilt range, Backward	deg	12	12	12	12	12	12	12	2	12	6	6	6	6	6
	Load capacity at 600 mm LC	kg	6000	6000	6000	6000	6000	6000	6000	6000	5700	5700	5700	5500	5500	5200
8FG/ 70N	Tilt range, forward	deg	6	6	6	6	6	6	6	6	6	6	6	6	6	6
	Tilt range, Backward	deg	12	12	12	12	12	12	12	2	12	6	6	6	6	6
	Load capacity at 600 mm LC	kg	7000	7000	7000	7000	7000	7000	7000	6700	6500	6700	6700	6700	6700	5700

1) Without load backrest.

2) With load backrest; Height of standard load backrest is 1370 mm.



Underclearance		60N	70N
Mast, load	mm	125	125
Drive axle, load	mm	215	205
Steer axle, no load	mm	270	265
Center of wheelbase, load	mm	250	250
Counterweight, no load	mm	225	225
Lowest point under chassis, full load	mm	190	190