

## 8FBE20T

Specifications						8FBE20T
Identification	1.1	Manufacturer				Toyota
	1.2	Model				8FBE20T
	1.3	Drive				Electric
	1.4	Operator type				Rider seated
	1.5	Load capacity/rated load	Q	kg		2000
	1.6	Load centre	c	mm		500
	1.8	Load distance, centre of drive axle to fork	x	mm		317
	1.9	Wheelbase	y	mm		1521
Weight	2.1	Service weight				3342
	2.2	Axle load, with load, front/rear				4746/596
	2.3	Axle load, without load, front/rear				1619/1723
Tyres	3.1	Tyre - pneumatic (P), pneumatic shaped cushion (SE), solid rubber (R)				SE
	3.2	Tyre size, front				200/50 - 10
	3.3	Tyre size, rear				140/55 - 9
	3.5	Wheels, number front/rear (x = driven wheels)				2x/2
	3.6	Track width, front	$b_{10}$	mm		925
	3.7	Track width, rear	$b_{11}$	mm		186,2
	Dimensions	4.1	Tilt of mast/fork carriage forward/backward	$\alpha/\beta$	deg	
4.2		Height, mast lowered	$h_1$	mm		2120
4.3		Free lift	$h_2$	mm		115
4.4		Lift	$h_3$	mm		3300
		Lift height	$h_{23}$	mm		3335
4.5		Height, mast extended	$h_4$	mm		3870
4.7		Height of overhead guard (cab)	$h_6$	mm		2055
4.8		Seat height/stand height	$h_7$	mm		1059
4.12		Coupling height	$h_{10}$	mm		543
4.19		Overall length	$l_1$	mm		2988
4.20		Length to face of forks	$l_2$	mm		1988
4.21		Overall width	$b_1$	mm		1152
4.22		Fork dimensions	s/e/l	mm		35/120/1000
4.23		Fork carriage DIN 15 173, class/type A, B				IIA
4.24		Fork-carriage width	$b_3$	mm		920
4.31		Ground clearance, with load, below mast	$m_1$	mm		90
4.32		Ground clearance, centre of wheelbase	$m_2$	mm		97
4.33		Aisle width for pallets 1000x1200 crossways	$A_{st}$	mm		3318
4.34		Aisle width for pallets 800x1200 lengthways	$A_{st}$	mm		3440
4.35		Turning radius	$W_a$	mm		1671
4.36	Internal turning radius	$b_{13}$	mm		0	
Performance data	5.1	Travel speed, with/without load		km/h		16/16
	5.2	Lift speed, with/without load		m/s		0,38/0,54
	5.3	Lowering speed, with/without load		m/s		0,52/0,50
	5.5	Drawbar pull, with/without load		N		4839/5046
	5.6	Max. drawbar pull, with/without load		N		9145/9188
	5.7	Gradeability, with/without load		%		13,2/24,4
	5.8	Max. gradeability, with/without load		%		18,0/24,4
	5.9	Acceleration time, with/without load		s		4,7/4,3
	5.10	Service brake				Hydraulic
	Electric motor	6.1	Drive motor rating S2 60 min		kW	
6.2		Lift motor rating S2 5 min		kW		11,7
6.3		Battery according to DIN 43 531/35/36 A, B, C, no				43 531A
6.4		Battery voltage, nominal capacity $K_5$		V/Ah		48/660
6.5		Battery weight		kg		1013
6.6		Energy consumption to VDI cycle		kWh/h		6,1
Other	8.1	Type of drive control				inverter MOSFET
	8.2	Operating pressure for attachments		bar		183
	8.3	Oil volume for attachments		l/min		41,3
	8.4	Sound level at the driver's ear according to EN 12 053		dB(A)		69,7

## Mast dimensions and rated capacities

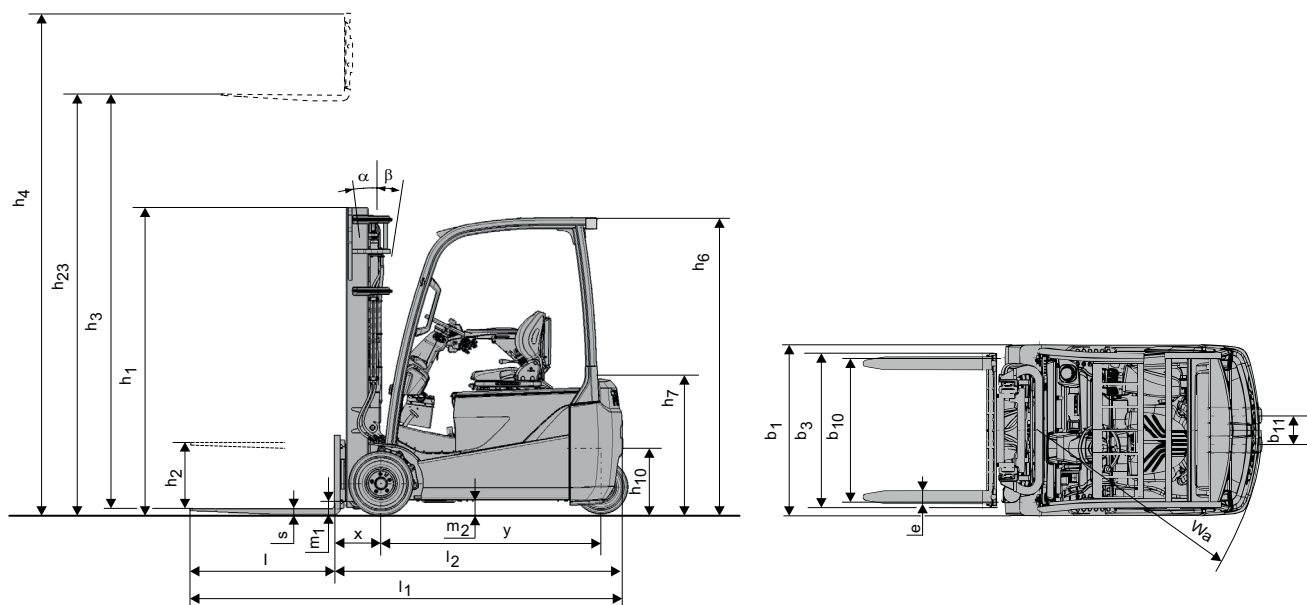
Model			V								FV				FW				FSV					FSW										
8FBE20T	Lift height	$h_{23}$	3035	3335	3535	3735	4035	4535	5035	3035	3335	3535	3735	3035	3335	3535	3735	4335	4535	4735	5035	5535	6035	4335	4535	4735	5035	5535	6035	6535	7035	7535		
	Lift	$h_3$	3000	3300	3500	3700	4000	4500	5000	3000	3300	3500	3700	3000	3300	3500	3700	3500	3700	4300	4500	4700	5000	5500	6000	4300	4500	4700	5000	5500	6000	6500	7000	7500
	Height, mast lowered	$h_1$	1970	2120	2220	2380	2570	2820	3070	1970	2120	2220	2380	2000	2150	2250	2350	1970	2040	2120	2220	2380	2570	1980	2050	2150	2250	2450	2600	2800	3000	3200		
	Height, mast extended <sup>1)</sup>	$h_4$	3570	3870	4070	4270	4570	5070	5570	3580	3880	4080	4280	3555	3855	4055	4255	4845	5045	5245	5545	6045	6545	4845	5045	5245	5545	6045	6545	7045	7545	8045		
	Height, mast extended <sup>2)</sup>	$h_4$	4260	4560	4760	4960	5260	5760	6260	4260	4560	4760	4960	4260	4560	4760	4960	4760	4960	5560	5760	5960	6260	6760	7260	5560	5760	5960	6260	6760	7260	7760	8260	8760
	Free lift, without load backrest	$h_2$	80	80	80	80	80	80	80	1430	1580	1680	1840	1440	1590	1690	1790	1460	1530	1610	1710	1870	2060	1430	1500	1600	1700	1900	2050	2250	2450	2650		
Free lift, with load backrest	$h_2$	80	80	80	80	80	80	80	745	895	995	1155	735	885	985	1085	745	815	895	995	1155	1345	715	785	885	985	1185	1335	1535	1735	1935			

1) Without load backrest.

2) With load backrest; Height of standard load backrest is 1220 mm.

Pneumatic shaped cushion tyre			V								FV				FW				FSV					FSW									
8FBE20T	Tilt range, forward	deg	5	5	5	5	5	5	5	5	5	5	5	5	5	5	5	5	5	5	5	5	5	5	5	5	5	5	5	5	5	5	
	Tilt range, backward	deg	7(5)	7(5)	7(5)	7(5)	7(5)	7(5)	7(5)	7(5)	7(5)	7(5)	7(5)	7(5)	7(5)	7(5)	7(5)	7(5)	7(5)	7(5)	7(5)	7(5)	7(5)	5	7(5)	7(5)	7(5)	7(5)	7(5)	5	5	5	5
	Load capacity at 500 mm LC	kg	2000	2000	2000	2000	2000	2000	1950	2000	2000	2000	2000	2000	2000	2000	2000	1950	1920	1900	1800	1650	1550	1950	1920	1900	1850	1750	1550	1250	1000	800	

Data in ( ) are for when "Cabin Series" is selected (minimum front windshield).



Underclearance		
Mast, load	mm	90
Drive axle, load	mm	92
Center of wheelbase, load	mm	97
Counterweight, no load	mm	55
Frame, load	mm	84

Frame underclearance for battery side-out model is 10 mm less than standard model.