

# OCV Technical Data Multifunctional Truck

---

OCV 01

---



# OCV Multifunctional Truck

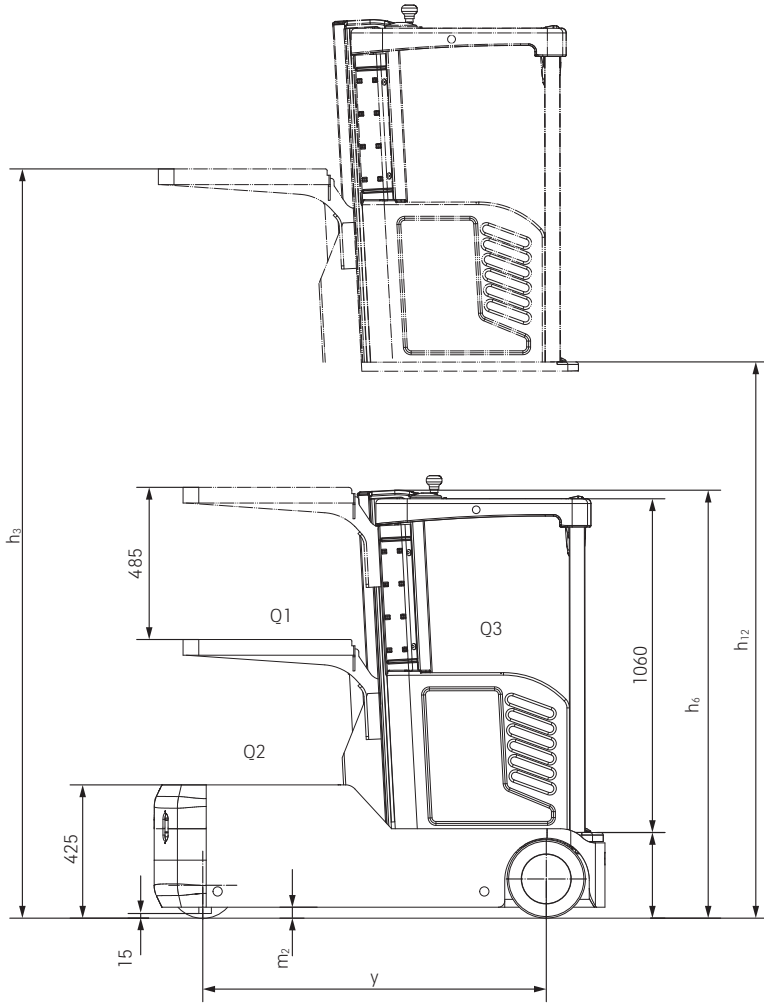
## For all those aiming high

This specification sheet, which conforms to VDI Guideline 2198, provides the technical values for the standard equipment only. Different tyres and the use of accessories etc. may result in other values.

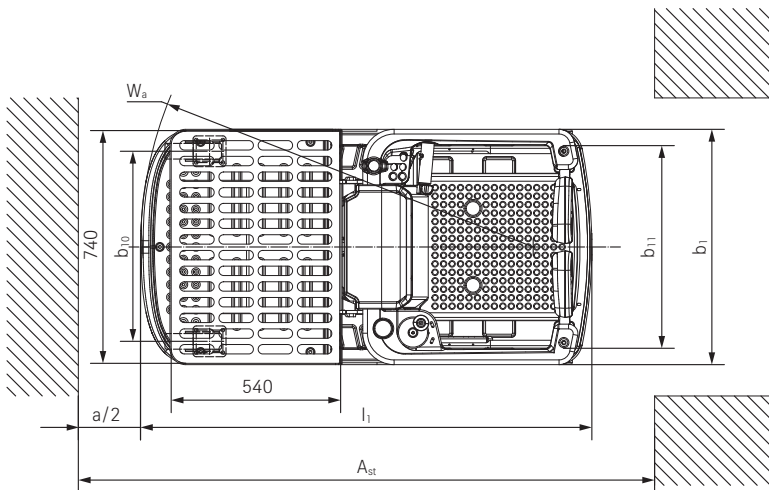


|                  |   |   |                |                                |                     |      |
|------------------|---|---|----------------|--------------------------------|---------------------|------|
| Features         | 1.1                                     | Manufacturer  |                |                                | STILL               |      |
|                  | 1.2                                     | Manufacturer's type designation                                 |                |                                | <b>OCV 01</b>       |      |
|                  | 1.3                                     | Drive   |                |                                | Electric            |      |
|                  | 1.4                                     | Operation   |                |                                | Stand-on            |      |
|                  | 1.5                                     | Rated capacity of the lifting platform                          | Q1             | kg                             | 90                  |      |
|                  | Rated capacity of the front platform    | Q2  | kg             | 110                            |                     |      |
|                  | Rated capacity of the stand-on platform | Q3  | kg             | 136                            |                     |      |
|                  | 1.9                                     | Wheel base  | y              | mm                             | 1095                |      |
| Weights          | 2.1                                     | Service weight (incl. battery)                                  |                | kg                             | 800                 |      |
|                  | 2.2                                     | Axle load, laden  | front/rear     | kg                             | 590/410             |      |
|                  | 2.3                                     | Axle load, unladen  | front/rear     | kg                             | 380/420             |      |
| Wheels           | 3.1                                     | Tyres   |                |                                | Polyurethane/rubber |      |
|                  | 3.2                                     | Tyre size   | front          | mm                             | Ø 210 x 70          |      |
|                  | 3.3                                     | Tyre size   | rear           | mm                             | Ø 250 x 100         |      |
|                  | 3.4                                     | Additional wheel size   |                | mm                             | Ø 74 x 48           |      |
|                  | 3.5                                     | Number of wheels (x = driven)                                   |                |                                | 1x+2/2              |      |
|                  | 3.6                                     | Track width   | front          | b <sub>10</sub>                | mm                  | 545  |
|                  | 3.7                                     | Track width   | rear           | b <sub>11</sub>                | mm                  | 640  |
| Basic dimensions | 4.2                                     | Height of mast when lowered                                     |                | h <sub>1</sub>                 | mm                  | 1375 |
|                  | 4.4                                     | Lift  |                | h <sub>3</sub>                 | mm                  | 3620 |
|                  | 4.5                                     | Height of mast when raised                                      |                | h <sub>4</sub>                 | mm                  | 4100 |
|                  | 4.7                                     | Height above overhead guard (cab)                               |                | h <sub>6</sub>                 | mm                  | 1425 |
|                  | 4.8                                     | Seat height/standing height                                     |                | h <sub>7</sub>                 | mm                  | 285  |
|                  | 4.14                                    | Platform height, raised   |                | h <sub>12</sub>                | mm                  | 3000 |
|                  | 4.19                                    | Overall length  |                | l <sub>1</sub>                 | mm                  | 1440 |
|                  | 4.21                                    | Overall width   |                | b <sub>1</sub> /b <sub>2</sub> | mm                  | 750  |
|                  | 4.32                                    | Ground clearance  |                | m <sub>2</sub>                 | mm                  | 35   |
|                  | 4.34                                    | Working aisle width   |                | A <sub>st</sub>                | mm                  | 1850 |
| 4.35             | Turning radius                          |   | W <sub>a</sub> | mm                             | 1260                |      |
| Performance data | 5.1                                     | Driving speed (h [standing height h <sub>12</sub> ] = 0-500 mm) | laden/unladen  | km/h                           | 6.0/6.5             |      |
|                  |   | Driving speed (h = 500-1000 mm)                                 | laden/unladen  | km/h                           | 3                   |      |
|                  |   | Driving speed (h = 1000-2000 mm)                                | laden/unladen  | km/h                           | 2                   |      |
|                  |   | Driving speed (h = 2000-3000 mm)                                | laden/unladen  | km/h                           | 1                   |      |
|                  | 5.2                                     | Lifting speed Q3 (stand-on platform)                            | laden/unladen  | m/s                            | 0.22/0.27           |      |
|                  |   | Lifting speed Q1 (lifting platform)                             | laden/unladen  | m/s                            | 0.038/0.040         |      |
|                  | 5.3                                     | Lowering speed Q3   | laden/unladen  | m/s                            | 0.31/0.25           |      |
|                  |   | Lowering speed Q1   | laden/unladen  | m/s                            | 0.040/0.038         |      |
|                  | 5.8                                     | Max. gradeability   | laden/unladen  | %                              | 5/8                 |      |
|                  | 5.10                                    | Service brake   |                |                                | Electromagnetic     |      |
| Electric engine  | 6.1                                     | Drive motor, rating S2 = 60 min                                 |                | kW                             | 0.65                |      |
|                  | 6.2                                     | Lift motor, rating S3 = 15 %                                    |                | kW                             | 2.2                 |      |
|                  | 6.4                                     | Battery voltage/rated capacity K <sub>s</sub>                   |                | V/Ah                           | 24/135              |      |
|                  | 6.5                                     | Battery weight  |                | kg                             | 50                  |      |
|                  | 6.6                                     | Energy consumption according to VDI cycle                       |                | kWh/h                          | 0.387               |      |
| Misc.            | 8.1                                     | Transmission control  |                |                                | DC control          |      |
|                  | 8.4                                     | Sound pressure level (operator's position)                      |                | dB(A)                          | 74                  |      |

OCV Multifunctional Truck  
 Technical Drawings

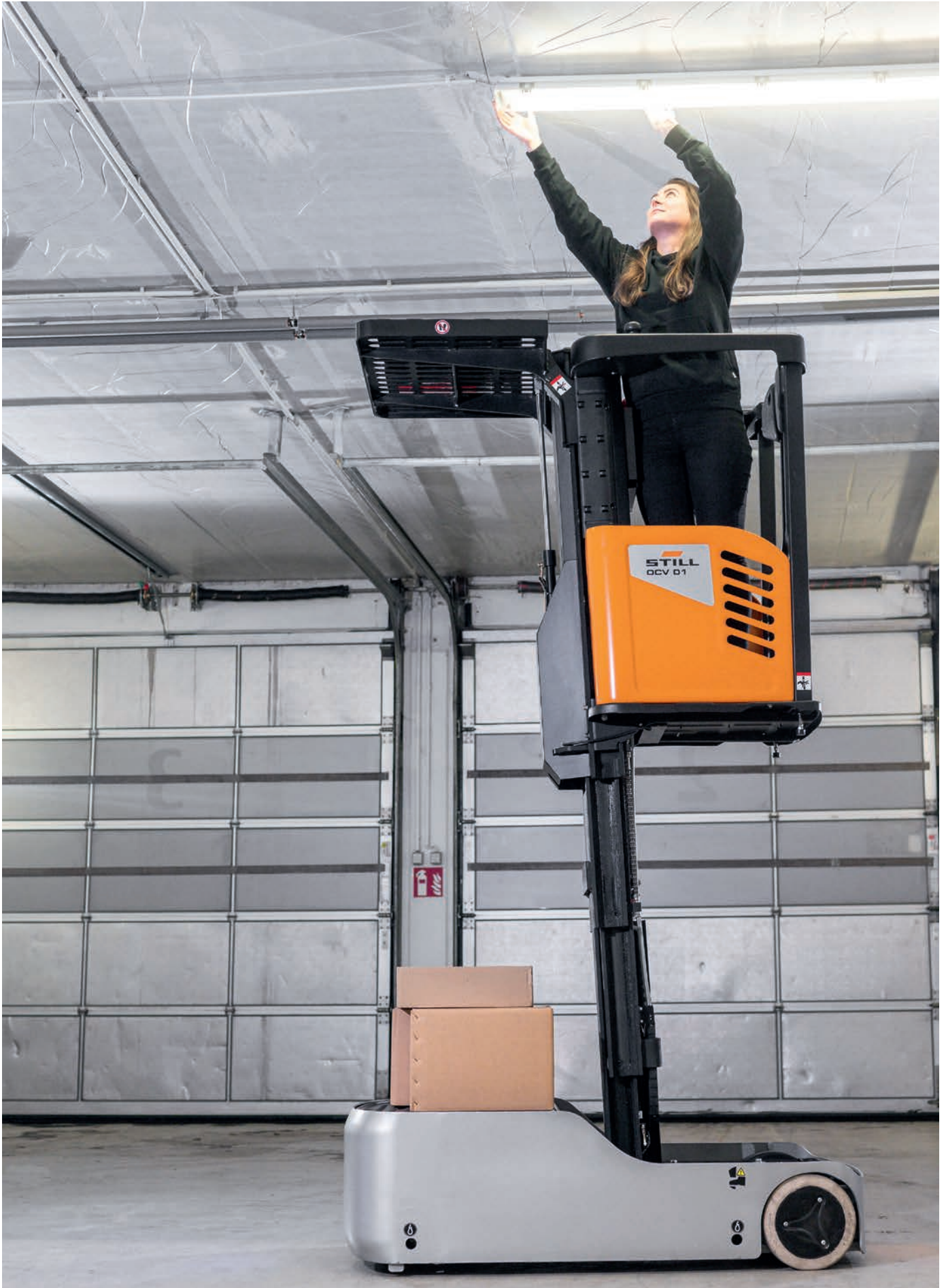


Side view



Top view

OCV Multifunctional Truck  
For all those aiming high



## OCV Multifunctional Truck Detailed Photos



The height-adjustable lifting platform enables convenient and ergonomic order picking



Intuitive operation: two-hand operation gives you precise control of goods and truck at all times



Thanks to its working height of up to 4.6 metres, the OCV is also extremely well suited as a replacement for ladders or mobile scaffolds



The doors lock automatically as soon as the stand-on platform is raised off the floor - this enables you to work safely even at great heights



Safely navigates in confined spaces thanks to its compact dimensions



See the vehicle even before it is there: a blue spot is projected onto the ground in the direction of travel by the STILL Safety Light



Always ready to use thanks to lithium-ion battery as standard and a charger that fits any 230 V socket



High availability thanks to integrated charger

## OCV Multifunctional Truck For all those aiming high

---

Compact dimensions enable use in the tightest spaces

Always ready for use thanks to lithium-ion battery with integrated charger

Optimal protection for operator and environment thanks to features such as the STILL Safety Light

Work on a safe stand-on platform at heights of up to 4.6 metres



Safer than any ladder and more practical than any mobile scaffold: the OCV is the perfect truck for working at heights of up to 4.6 metres, for narrow aisles and for anyone that wants to pick orders up to the third racking level.

The extendible stand-on platform lifts you up to a standing height of 3 metres, which means an effective working height of 4.6 metres. You can transport 110 kg on the multifunctional truck's storage platform and 90 kg on the lifting platform. The lifting table can also be flexibly raised by up to 50 cm, which gives you optimal ergonomic access to your goods at all times. Thanks to its compact dimensions, you can manoeuvre the OCV easily and safely in even the tightest spaces.

And it's always ready to go whenever you need it: a lithium-ion battery that can be interim charged quickly and the appropriate charger are integrated as standard. As soon as the stand-on platform starts to lift, the doors of the driver's platform lock automatically, so that you are optimally protected. This also applies for your environment: the OCV is fitted with the STILL Safety Light as standard: a blue spotlight projected on the floor in front of the truck gives other people in the warehouse early warning that the truck is coming. Whether in the small parts warehouse, in DIY stores, in archives, building management applications or at events: the OCV allows you to work safely, ergonomically and effortlessly at all times!

### The 'Simply Efficient' factors: Performance attributes as a measure of economic efficiency

---



#### Simply easy

---

- Safe and easy operation with no driving licence required
- Interim charging at any 230 V socket thanks to lithium-ion battery and integrated charger
- Low access point enables the operator to effortlessly board and exit the truck



#### Simply powerful

---

- Load capacity up to 90 kg on the lifting platform and up to 110 kg on the transport platform
- Lifts operators and goods effortlessly and safely to a working height of up to 4.6 metres
- Driving speed of up to 6.5 km/h



#### Simply safe

---

- The STILL Safety Light increases safety for everyone in the warehouse
- Safe manoeuvring even at great working heights thanks to automatic adjustment of the maximum speed
- Automatic locking of the door protects the operator when the stand-on platform is raised
- The stand-on platform can also be lowered by a second person from floor level



#### Simply flexible

---

- With a total weight of just 800 kg, the truck is ideally suited for use on mezzanine floors or in lifts
- Secure storage space thanks to storage options such as cup holders and document holder
- Suitable for order picking work from the floor up to the third racking level
- Range of possible applications from small parts warehouses through to a ladder replacement in building management or the events industry

# OCV Multifunctional Truck Equipment Variants



|                          |  | OCV 01 |
|--------------------------|--|--------|
| Safety                   | Rear hazard lights                                       | ●      |
|                          | STILL Safety Light, front                                | ●      |
|                          | Automatically locking doors                              | ●      |
|                          | Curve Speed Control                                      | ●      |
|                          | Automatic speed reduction when raising the platform      | ●      |
|                          | Optical sensor on the control panel                      | ●      |
|                          | Key switch   | ●      |
|                          | Acoustic warning signal when the platform is lowered     | ●      |
| Service                  | CAN bus technology                                       | ●      |
| Driver's cab             | Platform lift up to 3 metres                             | ●      |
|                          | Multifunctional display                                  | ●      |
|                          | Electric, height-adjustable storage platform up to 90 kg | ●      |
|                          | Storage compartments                                     | ●      |
| Tyres                    | Polyurethane drive wheel                                 | ●      |
|                          | Rubber load wheel  | ●      |
| Drive and braking system | 0.65 kW DC motor   | ●      |
|                          | Electromagnetic brake system                             | ●      |
|                          | Li-ion 24 V, 135 Ah                                      | ●      |
|                          | Integrated charger                                       | ●      |

● Standard

