

NOBLELIFT

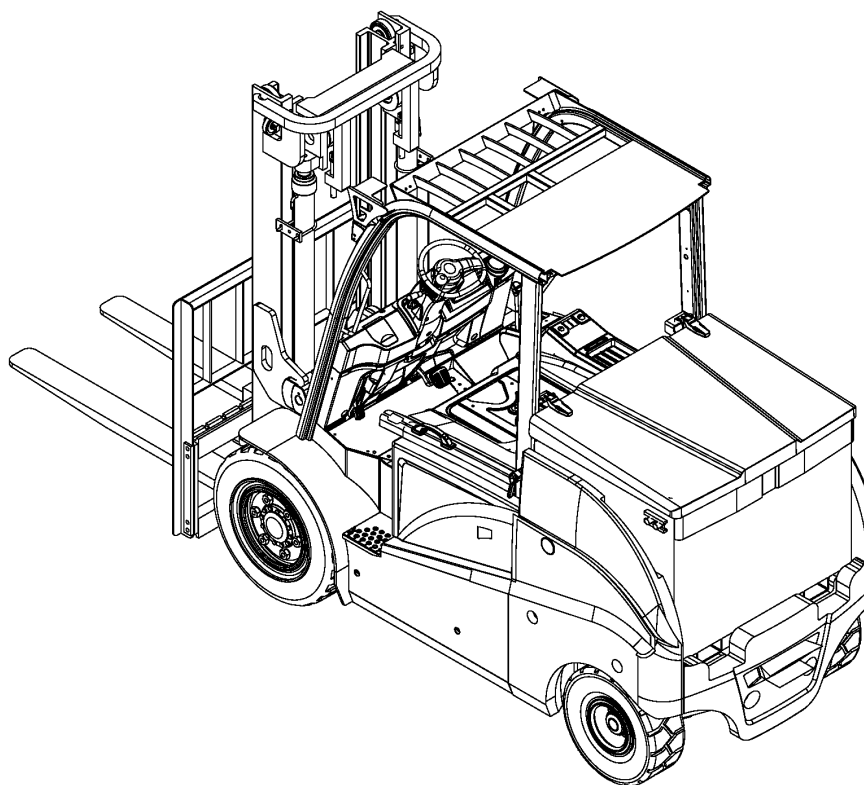


FE4P40-50-BPT-001

Warning

Operators should read and understand this manual and all warning labels on the forklift before using the forklift!

Keep the manual for future reference!



Parts List

FE4P40-50 N SERIES

Battery Counterbalanced Forklift Truck

Noblelift Equipment Joint Stock Co.,Ltd

Foreword

Welcome to use Noblelift counter balanced fork lift truck!

1、 This spare parts list includes all the parts of FE4P40-50 N series forklift truck.

2、 The user can refer the list according to the catalogue page.

3、 When repairing or replacing the spare parts, please use correct spare parts to ensure the truck quality.

4、 When ordering parts, please write clearly the truck type, manufacturing number, parts serial number and order quantity.

Note: ▲ Do not provide spare parts separately.

5、 In order to further optimize the product, we reserve the right to change our products. and without prior notice to you, please understand. If you want to know the latest product information, you can get the latest information from the company's sales and spare parts company.

contents

	foreword	1
1	Drive system (Single drive)	4-5
2	Drive Axle (Single drive)	6-7
3	reducer casing (Single drive)	8-9
4	differential mechanism (Single drive)	10-11
5	Drive system (double drive)	12-13
6	gearbox (double drive)	14-19
7	Lifting motor and installation.....	20-21
8	Work tank.....	22-23
9	Drive wheel assembly (front wheel).....	24-25
10	Steering axle and installation.....	26-29
11	Steering cylinder.....	30-31
12	Steering wheel assembly (rear wheel)	32-33
13	Installation of Angle sensor.....	34-35
14	Service brake.....	36-37
15	Control panel.....	38-39
16	Steering and installation.....	40-41
17	Parking braking	42-45
18	Electric cap installation.....	46-47
19	Seat cover plate installation.....	48-49
20	Multiple valve cover installation.....	50-51
21	Left panel mounting.....	52-53
22	Right board installation	54-55
23	Floor installation.....	56-57
24	The frame assembly.....	58-59
25	Assembly of roof guard.....	60-61
26	Balance reinstallation.....	62-63
27	Multiple directional control valve (two pieces).....	64-65
28	Multiple directional control (three pieces).....	66-69
29	Multiple directional control (four pieces).....	70-73

30	hydraulic system.....	74-77
31	Lifting line (standard mast)	78-79
32	Lifting pipe line (second full free mast).....	80-81
33	Lifting pipe line (three full free mast).....	82-85
34	Installation of side shifter and pipeline(standard mast).....	86-87
35	Installation of side shifter and pipeline(second full free mast).....	88-91
36	Installation of side shifter and pipeline(three full free mast).....	92-95
37	Fork.....	96-97
38	Fork arm carrier(standard mast).....	98-99
39	Fork arm carrier(second full free mast).....	100-101
40	Fork arm carrier(three full free mast).....	102-103
41	Mast(standard mast)	104-111
42	Mast(second full free mast)	112-119
43	Mast(three full free mast)	120-127
44	Lifting oil cylinder(standard mast)	128-131
45	Short lift cylinder(second full free mast)	132-133
46	Lifting oil cylinder(second full free mast)	134-137
47	Short lift cylinder(three full free mast)	138-139
48	Lifting oil cylinder(three full free mast)	140-141
49	Tilt cylinder	142-143
50	Electric System(Inmotion).....	144-147
51	Electronic components(SD)	148-149
52	Electronic components(DD).....	150-151
53	Power connector assembly.....	152-153
54	Lable.....	154-155

Drive system (single drive)

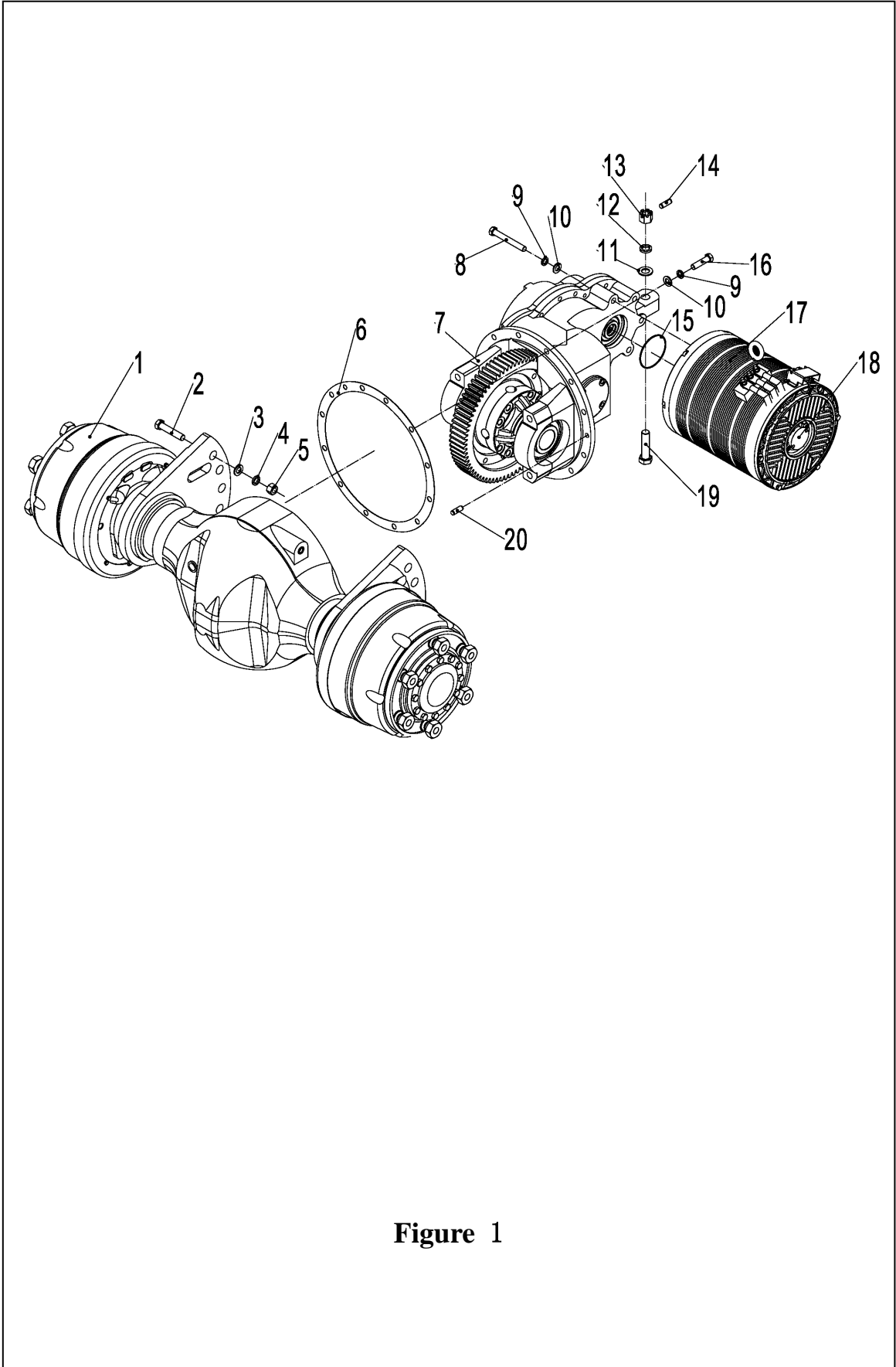


Figure 1

Figure1 **Drive system (single drive)**

NO	SN	Name	QTY	Remarks
1	256513510001	Drive axle	1	
2	910100300090	Bolt GB5783 M24x80-8.8	12	
3	910400100014	Flat washer GB97.1-24-200 hv	12	
4	910400500013	Spring washer gb93-24	12	
5	910300100018	Nut GB6170 m2-m24-10	12	
6	256513520001	Gasket phi phi 428 x 372 x1	1	
7	2565140100 03	The gearbox HDCS50A	1	
8	910100200019	Bolt GB5785 - M14x1. 5 x130-10.9	5	
9	910400500009	Spring washer gb93-14	17	
10	910400100009	The flat washer GB97.1-14-200 hv	17	
11	910400100012	Flat washer GB97.1-20-200 hv	1	
12	910400500012	Spring washer gb93-20	1	
13	910300900002	Nut GB6178 M20-8	1	
14	910600600037	Cotter pin x40 GB91-4	1	
15	910800100078	O - outer 95x3.1	1	
16	910100400022	Bolt GB5786 - M14x1. 5 x40-8.8	12	
17	920900100082	Motor (ac) jxq-16.6-5nl	1	
18	25659853201	Encoder (wannan motor)	1	
19	910100500006	Bolt GB31.1 M20x90-8.8	1	
20	910600100041	The cylindrical pin GB119.2-12 x25	1	

Drive axle (single drive)

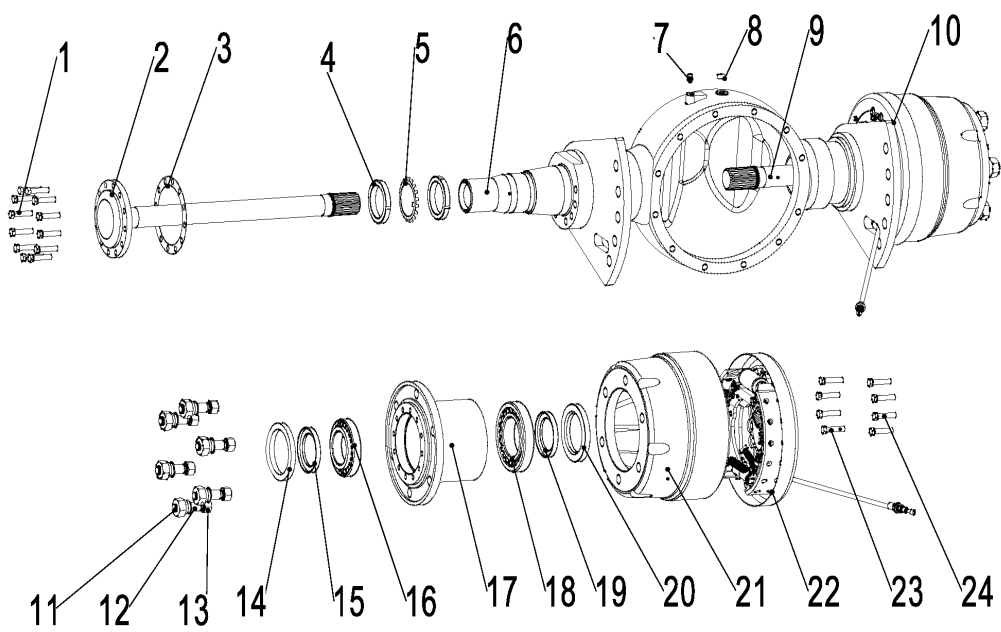


Figure 2

Figure2 Drive axle (single drive)

NO	SN	Name	QTY	Remarks
A	256513510001	Drive axle	1	include1-24
1	256598513501	Half shaft bolt	24	
2	256598513502	Left half shaft	1	
3	256598513503	Gasket	2	
4	256598513504	Round nut M80X2	4	
5	256598513505	Stop washer 80	2	
6	256598513506	Bridge shell assembly	1	
7	256598513507	Air plug	1	
8	256598513508	Jam	3	
9	256598513509	Right half shaft	1	
10	256598513510	Right brake assembly /1970	1	
11	256598513511	Wheel hub nut	12	
12	256598513512	Bolt column	12	
13	256598513513	Nut M20X1. 5	12	
14	256598513514	Gasket phi phi 80 x 110 x13	2	
15	256598513515	Oil seal phi phi 110 x 140 x12	2	
16	256598513516	Tapered roller bearing 30216	2	
17	256598513517	Wheel hub	2	
18	256598513518	Tapered roller bearing 30219	2	
19	256598513519	Oil seal ring	2	
20	256598513520	Oil seal phi phi 140 x 170 x15	2	
21	256598513521	Brake drum	2	
22	256598513522	Left brake assembly /1430	1	
23	256598513523	Brake hexagon bolt m16x1.5x46	12	
24	256598513524	Brake hexagon bolt m16x1.5x45	4	

Reducer casing (single drive)

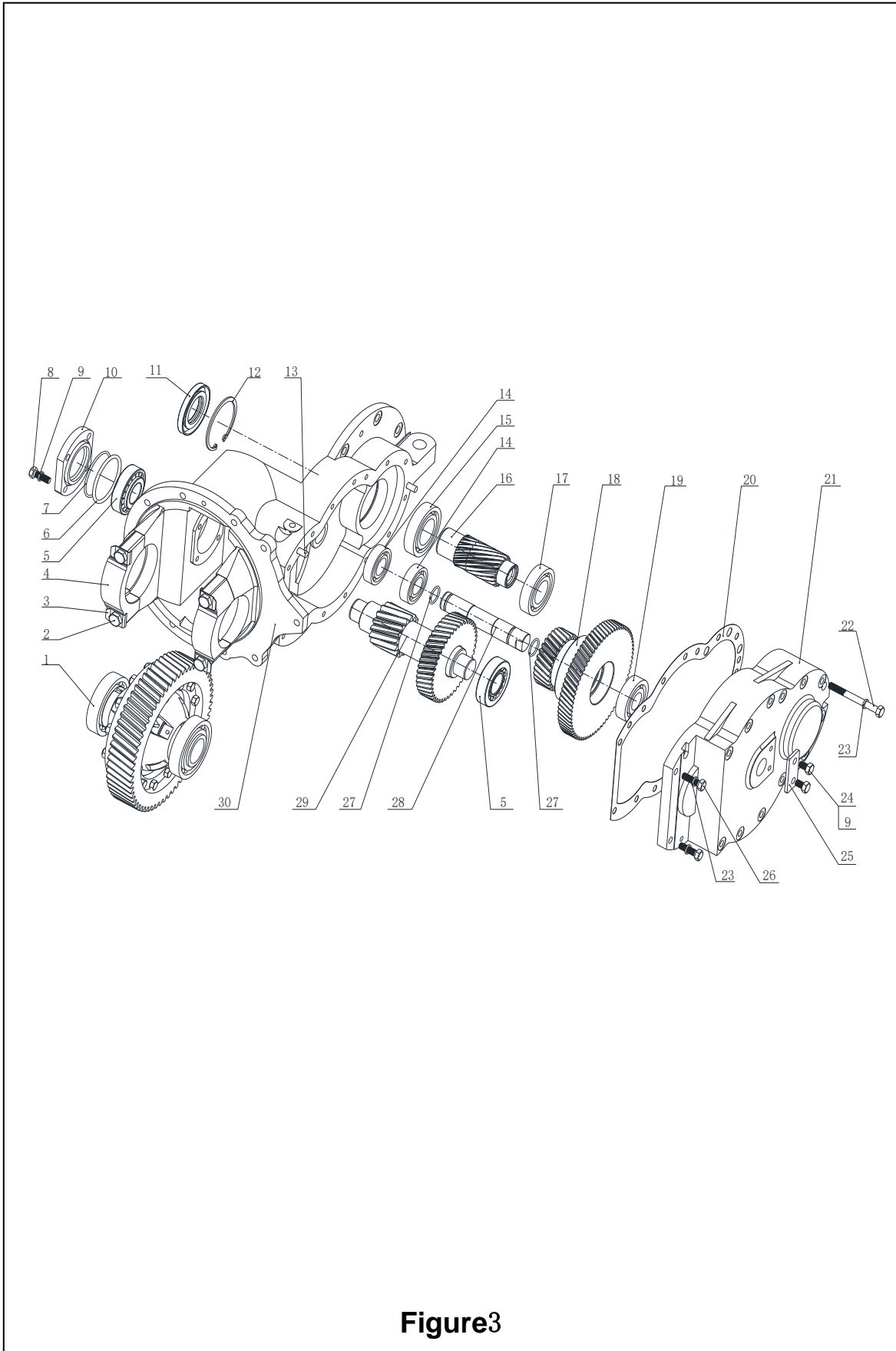


Figure3

Figure3 Reducer casing (single drive)

NO	SN	Name	QTY	Remarks
1	256598520001	Differential assembly	1	
2	256598520002	Bolt	4	
3	256598520003	Lock plate	4	
4	256598520004	bearing	2	
5	256598520005	Tapered roller bearings	2	
6	256598520006	Adjust the pad	4/3	
7	256598520007	O-ring	1	
8	910100300036	Bolt GB5783 M10X25-8.8	4	
9	910400500007	Spring washer gb93-10	6	
10	256598520008	Bearing cover	1	
11	256598520009	Oil seal	1	
12	910401400024	Elastic baffle ring gb893.1-90 for holes	1	
13	256598520010	Taper pin	2	
14	910700200022	Bearing GB276 rs - 6207-2	2	
15	910700200025	Bearing GB276 rs - 6210-2	1	
16	256598520011	Input shaft	1	
17	910700200025	Bearing GB276 rs - 6210-2	1	
18	256598520012	Duplex gear	1	
19	910700200033	Bearing GB276 rs - 6307-2	1	
20	256598520013	Paper pad	1	
21	256598520014	Lid	1	
22	910100300051	Bolt GB5783 M12X35-8.8	12	
23	910400500008	Spring washer gb93-12	15	
24	256598520015	Bolt	2	
25	256598520016	Stop	1	
26	910100300049	Bolt GB5783 M12X25-8.8	3	
27	910800100006	O-outside 35x3-1	2	
28	256598520017	Shaft	1	
29	256598520018	Gear shaft	1	
30	256598520019	Enclosure	1	

Differential mechanism (single drive)

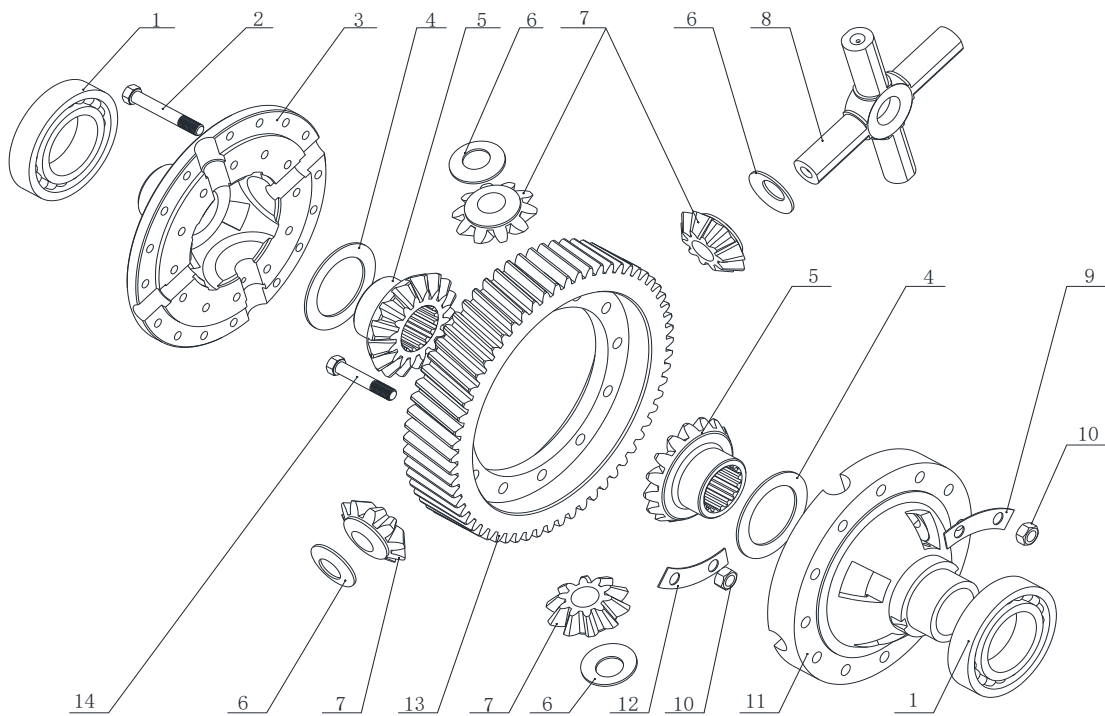


Figure4

Figure4 Differential mechanism (single drive)

NO	SN	Name	QTY	Remarks
1	910700200051	Bearing GB276 rs - 6216-2	2	
2	256598520020	bolt	8	
3	256598520021	Right differential housing	1	
4	256598520022	The gasket	1/3×2	
5	256598520023	Half shaft gear	2	
6	256598520024	Thrust washer	4	
7	256598520025	Planetary gear	4	
8	256598520026	The spider	1	
9	256598520027	Gasket or washer	8	
10	256598520028	Nut	20	
11	256598520029	Left differential housing	1	
12	256598520030	Lock washers	6	
13	256598520031	Ring gear	1	
14	256598520032	Bolt	12	

Drive system (double drive)

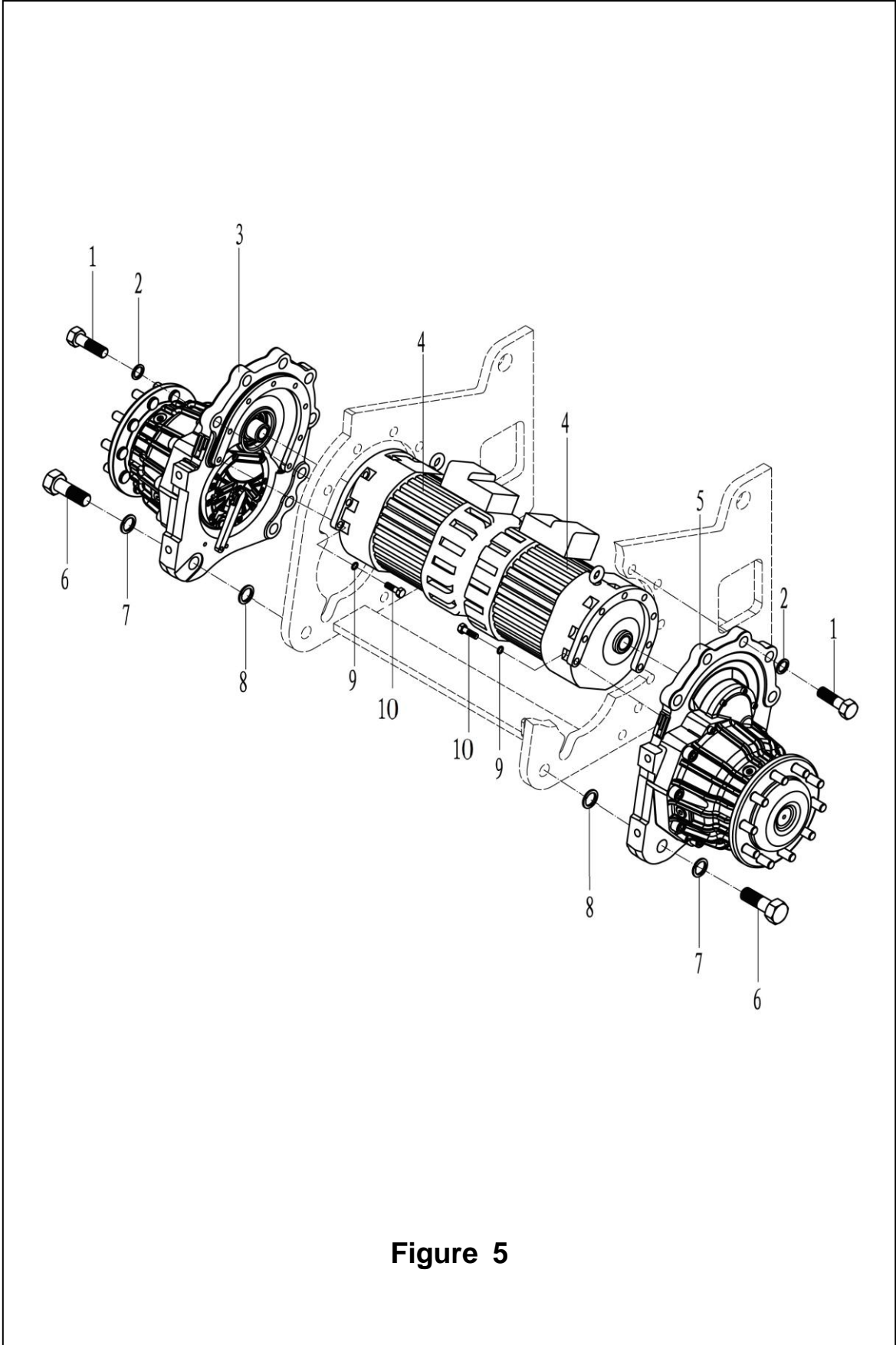


Figure 5

Figure5 Drive system (double drive)

NO	SN	Name	QTY	Remarks
1	910100300085	Bolt GB5783 M24x70-8.8	16	
2	910400500013	Spring washer gb93-24	16	
3	256514010001	Gearbox (right)	1	
4	920900100081	Motor (ac) jxq-11-5jxx (left)	1	
	920900100080	Motor (ac) jxq-11-5jxx (right)	1	
	255098513253	Encoder(WN)	2	
5	256514010002	Gearbox (left)	1	
6	910100300086	Bolt GB5783 M30x80-8.8	2	
7	910400500014	Spring washer gb93-30	2	
8	256514020001	Gasket Φ 50 x Φ 31 x6	2	
9	910400500009	Spring washer gb93-14	16	
10	910100300065	Bolt GB5783 M14x50-8.8	16	

Gearbox (double drive)

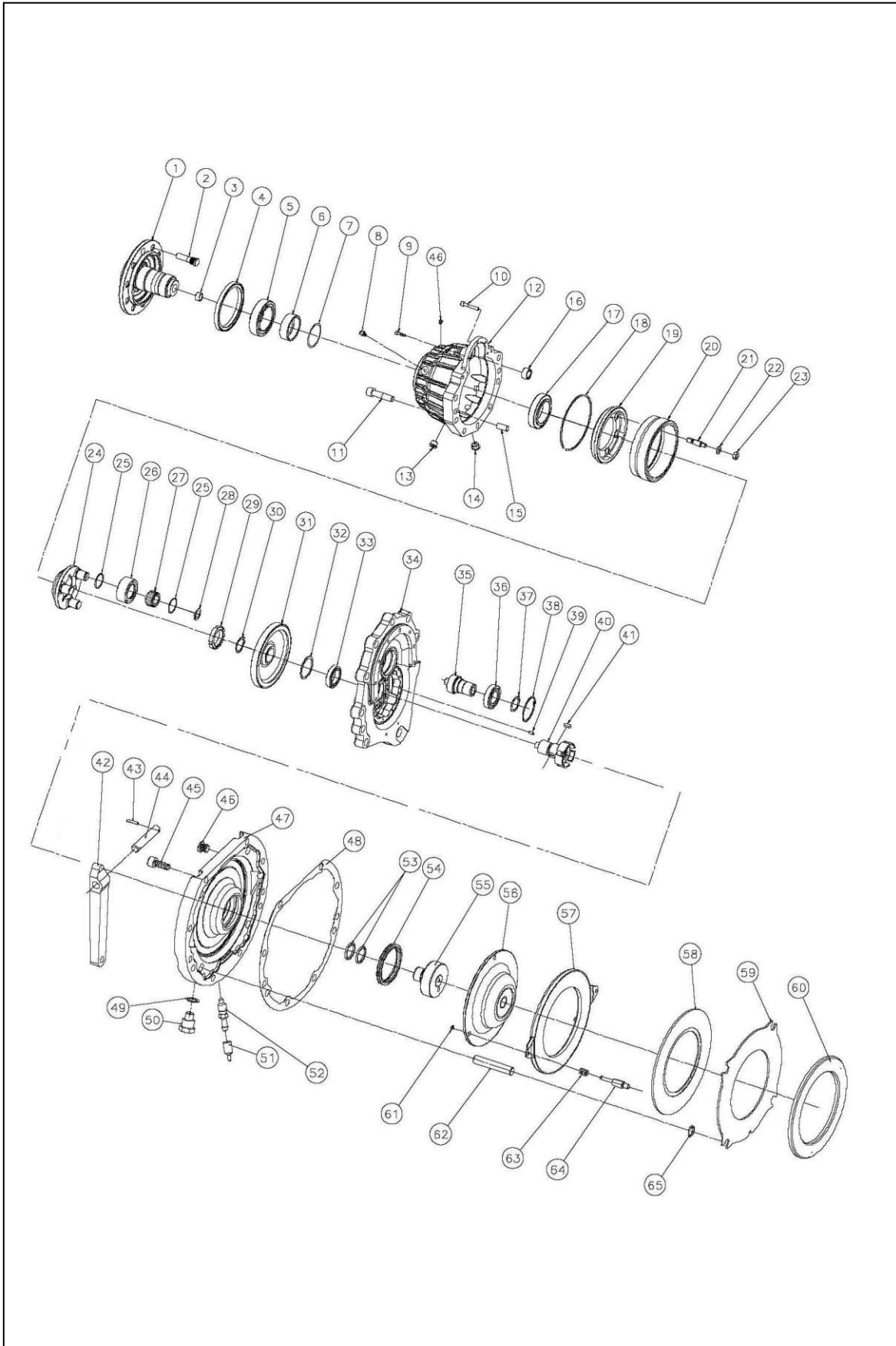
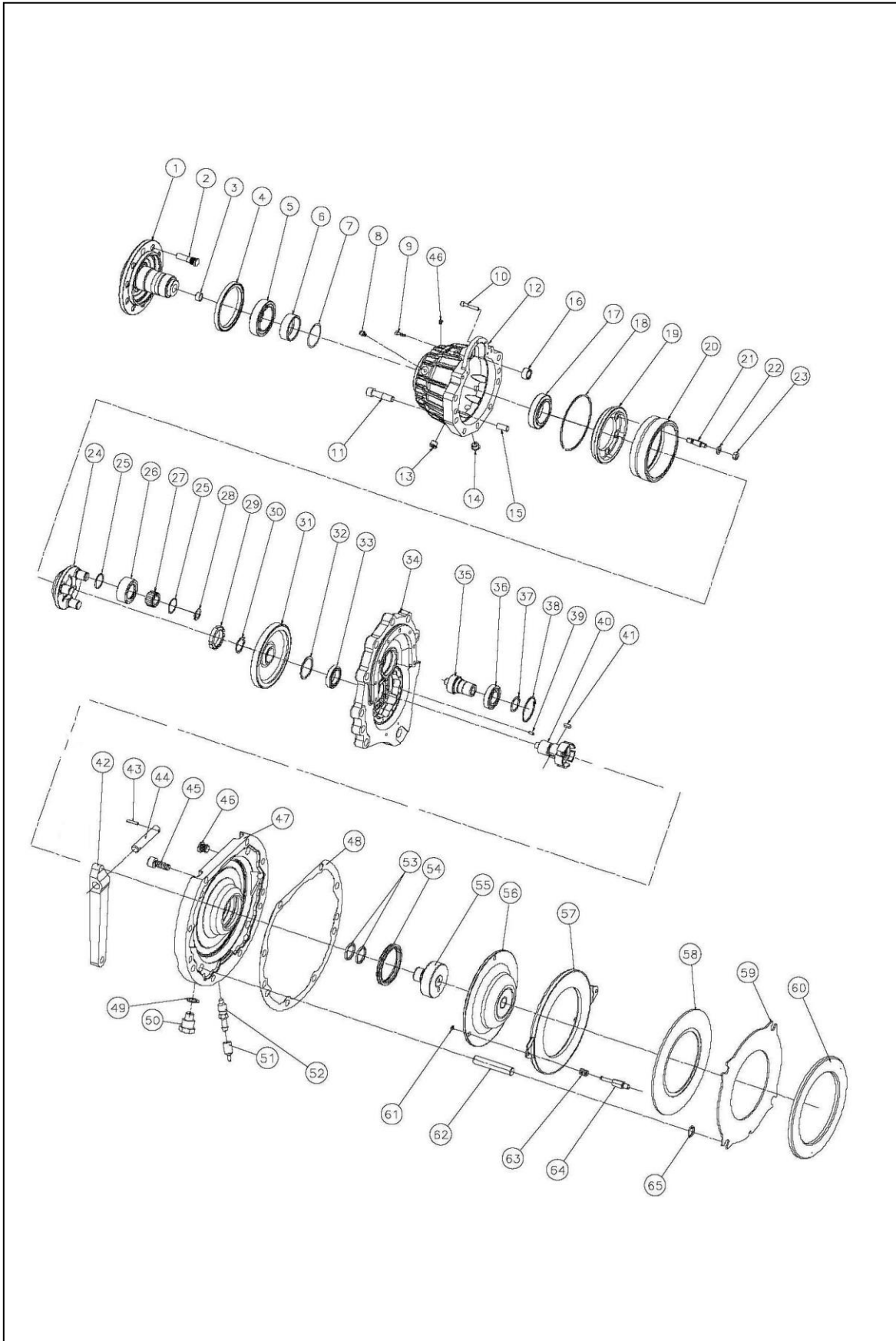


Figure6 Gearbox (double drive)

NO	SN	Name	QTY	Remarks
1	▲	Wheel hub	1	
2	▲	Hub bolt	10	
3	▲	Needle sleeve	1	
4	▲	Sealing ring	1	
5	▲	Bearing	1	
6	▲	Lsolation pad	1	
7	▲	Gasket	1	
8	▲	Vent plug	1	
9	▲	Screw	3	
10	▲	Screw	2	
11	▲	Screw	7	
12	▲	Enclosure	1	
13	▲	Plug	4	
14	▲	Plug	1	
15	▲	Cylindrical pin	2	
16	▲	Needle sleeve	1	
17	▲	Bearing	1	
18	▲	The elastic ring	1	
19	▲	Ring gear mounting disc	1	
20	▲	The ring gear	1	
21	▲	Double end studs	6	
22	▲	The gasket	6	
23	▲	Nut	6	
24	▲	Planet carrier	1	
25	▲	The elastic ring	6	
26	▲	Planetary gear	3	
27	▲	Roller bearing	3	
28	▲	Elastic retaining ring for shaft	3	
29	▲	Nut	1	
30	▲	Elastic retainer for holes	1	
31	▲	Helical gear	1	

Note: components are not provided separately

Gearbox (double drive)

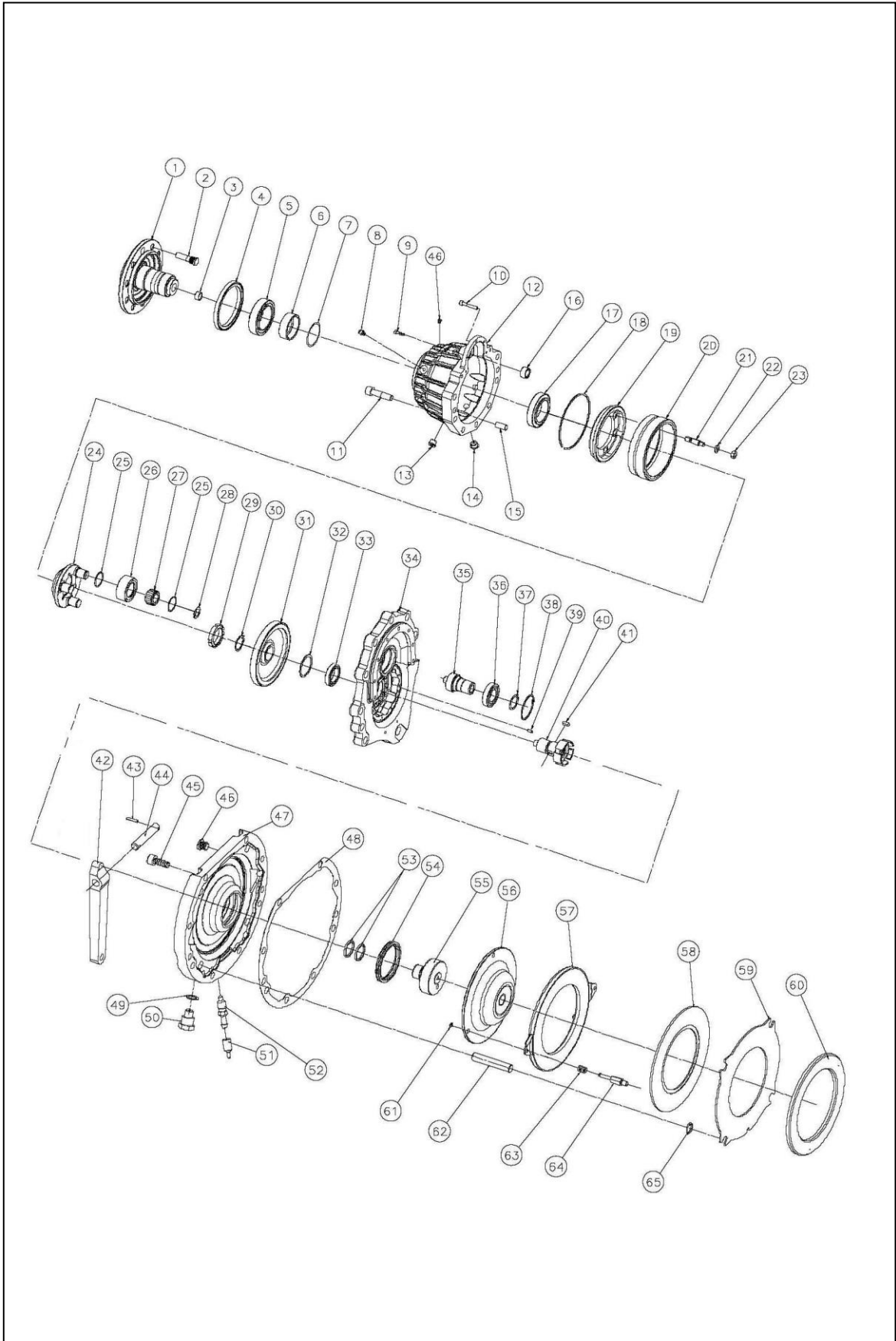


32	▲	The elastic ring	1	
33	▲	Bearing	1	
34	▲	Shell cover	1	
35	▲	Helical gear	1	
36	▲	Bearing	1	
37	▲	The elastic ring	1	
38	▲	The elastic ring	1	
39	▲	Cylindrical pin	2	
40	▲	Within the disc holder	1	
41	▲	Flat key	2	
42	▲	Brake lever	1	
43	▲	Elastic cylinder pin	2	
44	▲	Pin	1	
45	▲	Screw	8	
46	▲	plug	5	
47	▲	The lid	1	
48	▲	Sealing washer	1	
49	▲	Combination seal washer	1	
50	▲	Bolt	1	
51	▲	Drain valve cover	1	
52	▲	Drain valve	1	
53	▲	The gasket	2	
54	▲	The gasket	1	
55	▲	The piston	1	
56	▲	Elastic plate	1	
57	▲	Pressure plate	1	
58	▲	Friction plate	7	
59	▲	The steel plate	8	
60	▲	Support plate	1	
61	▲	Retaining ring	2	

Figure6 Gearbox (double drive)

Note: components are not provided separately

Gearbox (Double drive)



62	▲	Cylindrical pin	4	
63	▲	Spring	2	
64	▲	Stud	2	
65	▲	Spring washer	28	

Figure6 **Gearbox(double drive)**

Note: components are not provided separately

Lifting motor and installation

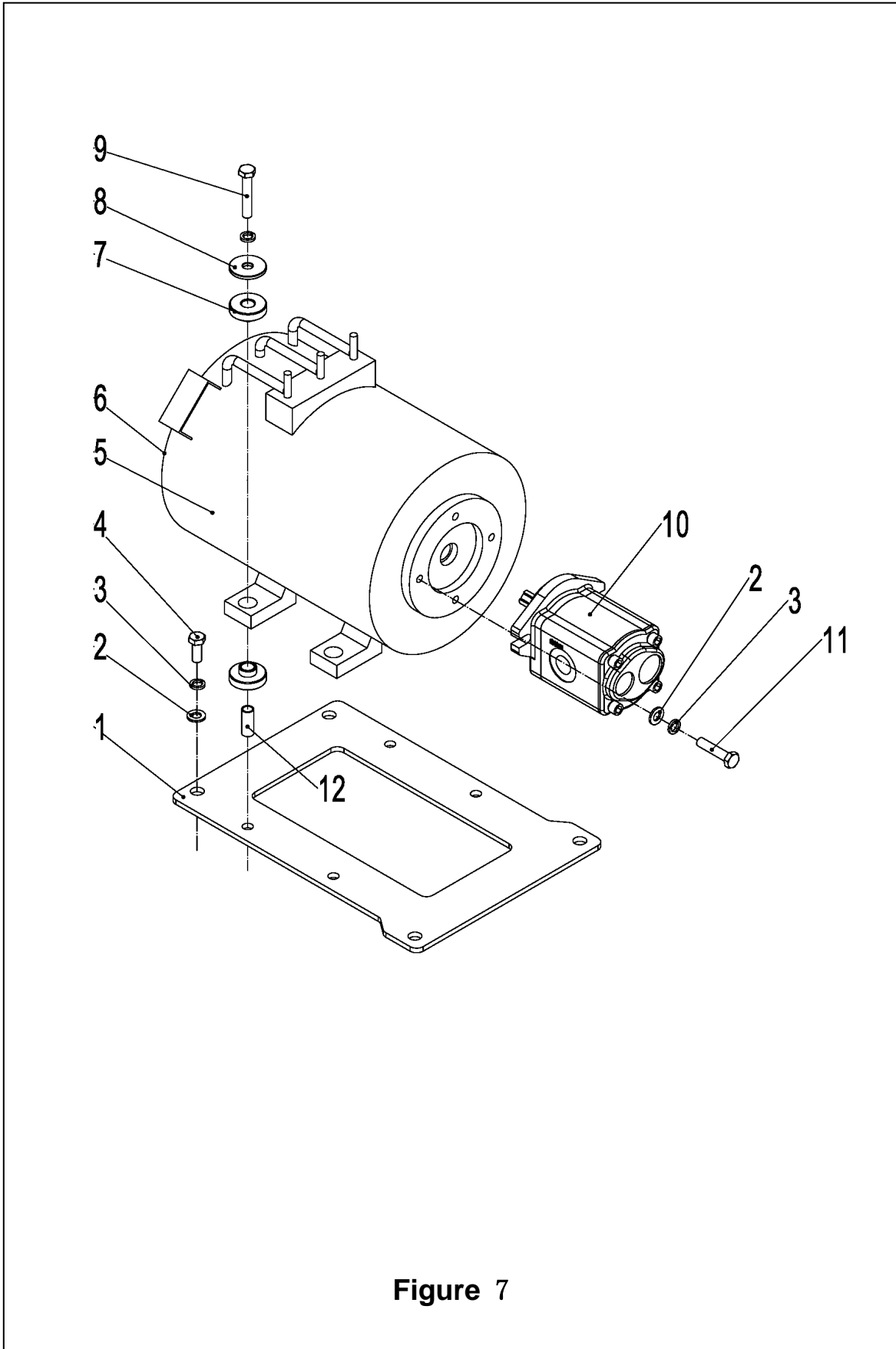


Figure 7

Figure7 Lifting motor and installation

NO	SN	Name	QTY	Remarks
1	256532520001	Lifting motor mounting plate	1	
2	910400100007	Flat washer GB97.1-10-200 hv	6	
3	910400500007	Spring washer gb93-10	10	
4	910100300035	Bolt GB5783 M10x20-8.8	4	
5	920900100083	Motor (ac) jxqd-13.5-5nl	2	Double lifting motor
	920900100088	Motor (ac) jxqd-25	1	Single lifting motor
6	25659853201	Encoder(WN)	1	
7	255032520003	Damping pad	8	
8	255032520002	Gasket $\Phi \Phi 40 \times 11 \times 4$	4	
9	910100100035	Bolt GB5782 M10x60-8.8	4	
10	255023512006	Pump	2	Double lifting motor
	256523512006	Pump	1	Single lifting motor
11	910100300039	Bolt GB5783 M10x40-8.8	2	
12	255032520001	Strengthen Φ set 13 Φ x32 x 10.5	4	

Work tank

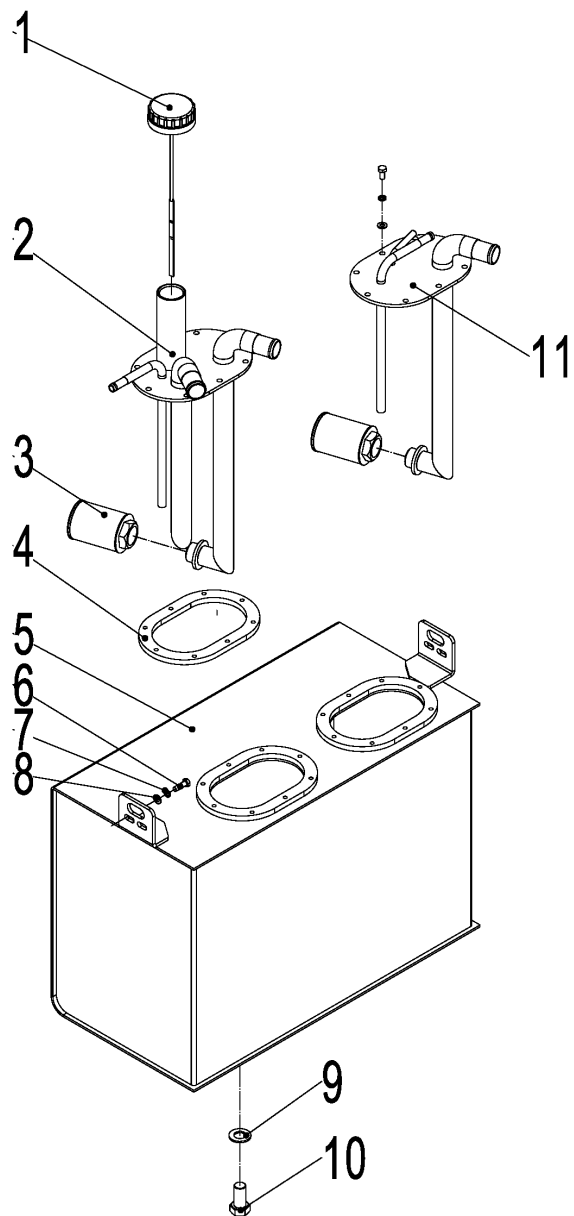


Figure 8

Figure8**Work tank**

NO	SN	Name	QTY	Remarks
1	255019010003	Gauge plug assembly	1	
2	256519011002	Cover plate welding 1	1	
3	255019010004	Mesh filter WU63x100	2	
4	255019020013	Gasket 204 x134x1. 5 - R	2	
5	256519011001	Tank solders	1	
6	910100300022	Bolt GB5783 M8x20-8.8	16	
7	910400500006	Spring washer gb93-8	16	
8	910400100006	The flat washer GB97.1-8-200 hv	16	
9	910800900001	Combination washer jb 982-20	1	
10	255019020015	Drain plug M20x1. 5	1	
11	256519011003	Cover plate welding 2	1	

Drive wheel assembly (front wheel)

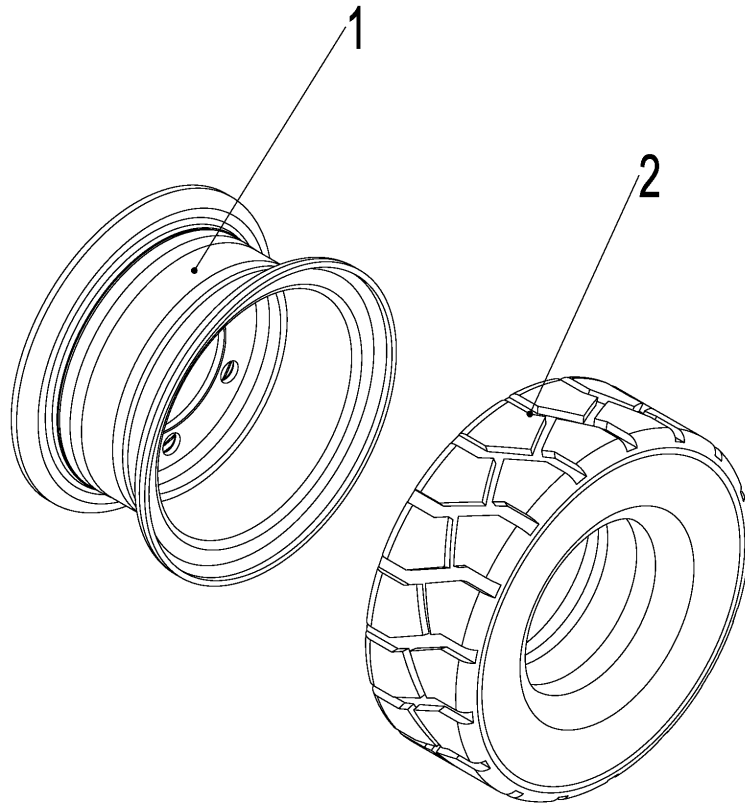


Figure 9

Figure9 Drive wheel assembly (front wheel)

NO	SN	Name	QTY	Remarks
A	256513010001	Drive wheel assembly 250-15(solid sunrise)	2	
	256513010002	Drive wheel assembly 250-15(environmental sunrise)	2	
	256513013001	Drive wheel assembly 250-15(solid sunrise)	2	double-drive
	256513014001	Drive wheel assembly 250-15(environmental sunrise)	2	double-drive
1	256513011001	Rim assembly 7.50 v-15	1	
	256513013002	Rim assembly 7.50 v-15 (dual drive)	1	double-drive
2	256513011010	Tire 250-15(solid sunrise)	1	
	256513011011	Tire 250-15(environmental protection sunrise)	1	

Steering axle and installation

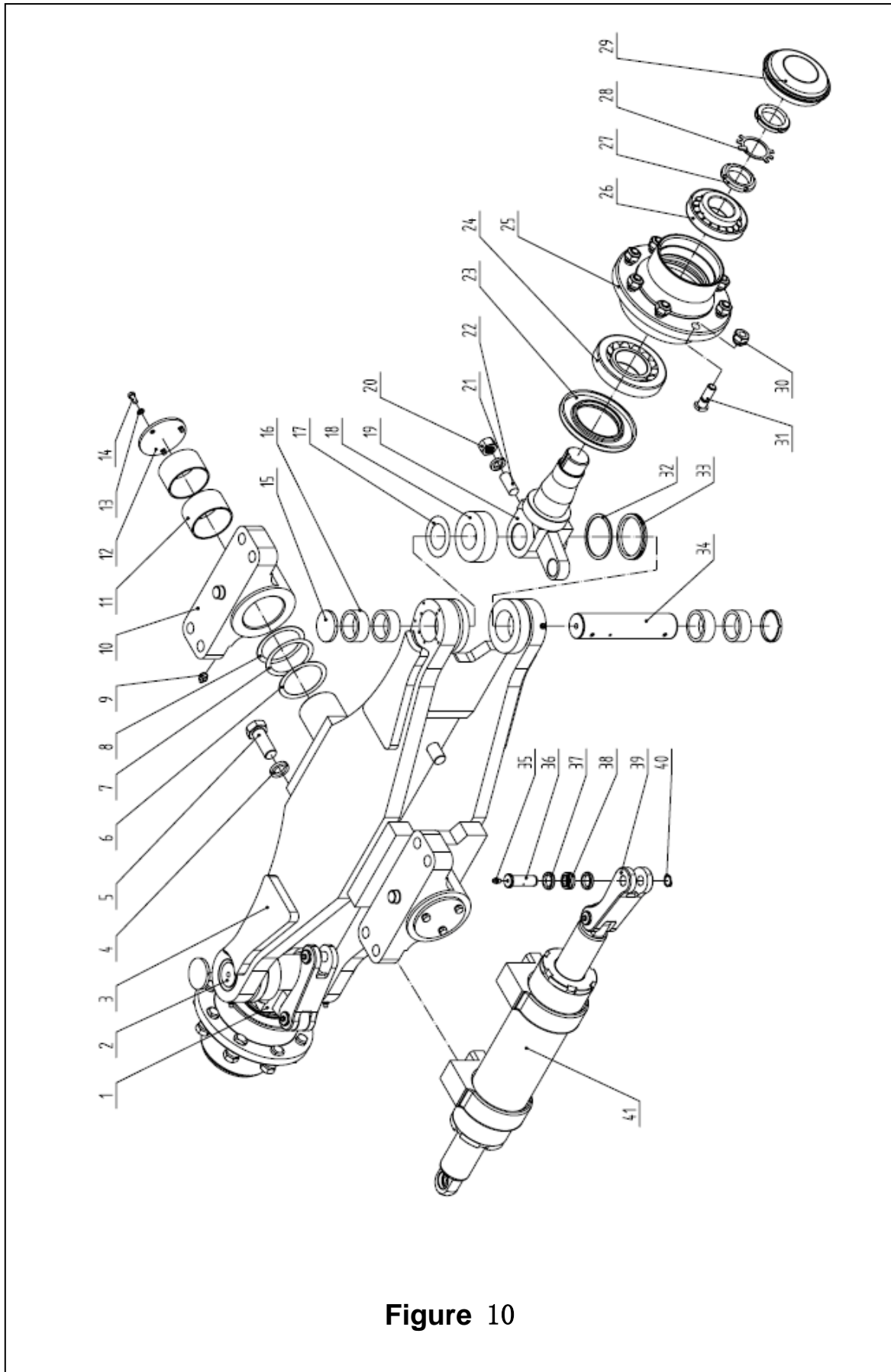


Figure 10

Figure10 Steering axle and installation

NO	SN	Name	QTY	Remarks
A	256516010001	Steering axle assembly (anqing)	1	include1-41
1	256598516001	Left turn joint assembly	1	
2	256598516002	Left king pin	1	
3	256598516003	Turn to the bridge	1	
4	256598516004	Spring washer	4	
5	256598516005	Bolt	4	
6	256598516006	Adjust the gasket	2	
7	256598516007	Adjust the gasket	2	
8	256598516008	Adjust the gasket	2	
9	256598516009	Grease cup	2	
10	256598516010	Rear axle bearing	2	
11	256598516011	The steel back of bushing	4	
12	256598516012	Shaft end baffle	2	
13	256598516013	Spring washer	6	
14	256598516014	Bolt	6	
15	256598516015	Block	4	
16	256598516016	Bearing	8	
17	256598516017	Adjust the gasket	2	
18	256598516018	Bearing	2	
19	256598516019	Right knuckle assembly	1	
20	256598516020	Nut	2	
21	256598516021	Spring washer	2	
22	256598516022	Screw	2	
23	256598516023	Bearing	2	
24	256598516024	Wheel hub	2	
25	256598516025	Bearing	2	
26	256598516026	Lock washer with	2	
27	256598516027	Hubcaps	4	
28	256598516028	Wheel hub nut	2	
29	256598516029	Hub bolt	2	
30	256598516030	Steering axle assembly (anqing)	16	
31	256598516031	Left turn joint assembly	16	

Steering axle and installation

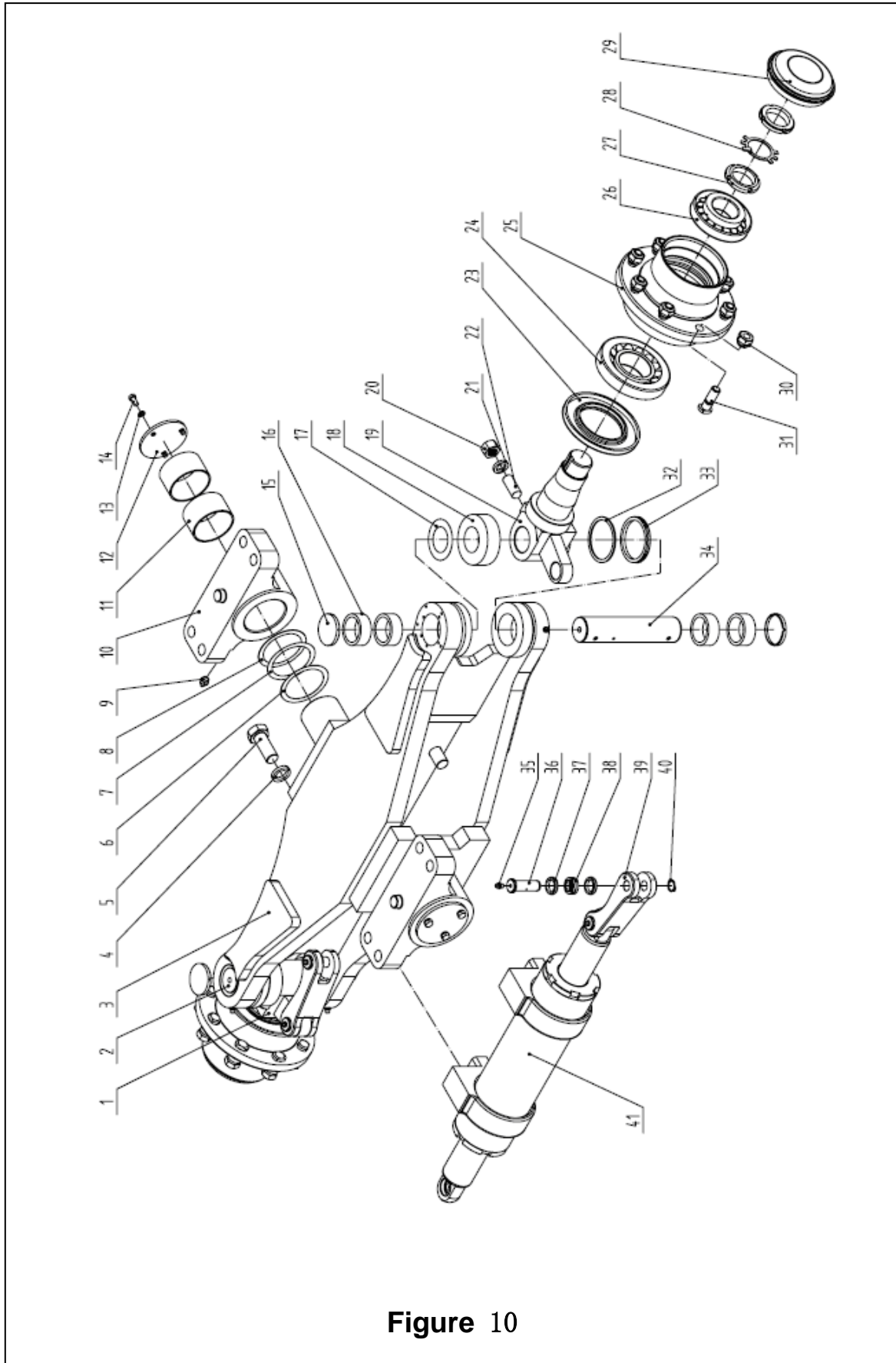


Figure 10

Figure10 Steering axle and installation

NO	SN	Name	QTY	Remarks
32	256598516032	The gasket	2	
33	256598516033	Sealing ring	2	
34	256598516034	King pin right	1	
35	256598516035	Grease cup	7	
36	256598516036	The connecting rod pin	4	
37	256598516037	Bushing	6	
38	256598516038	Bearing	4	
39	256598516039	Connecting rod	2	
40	256598516040	Shaft with retaining ring	4	
41	256598516041	Steering cylinder	1	

Steering cylinder

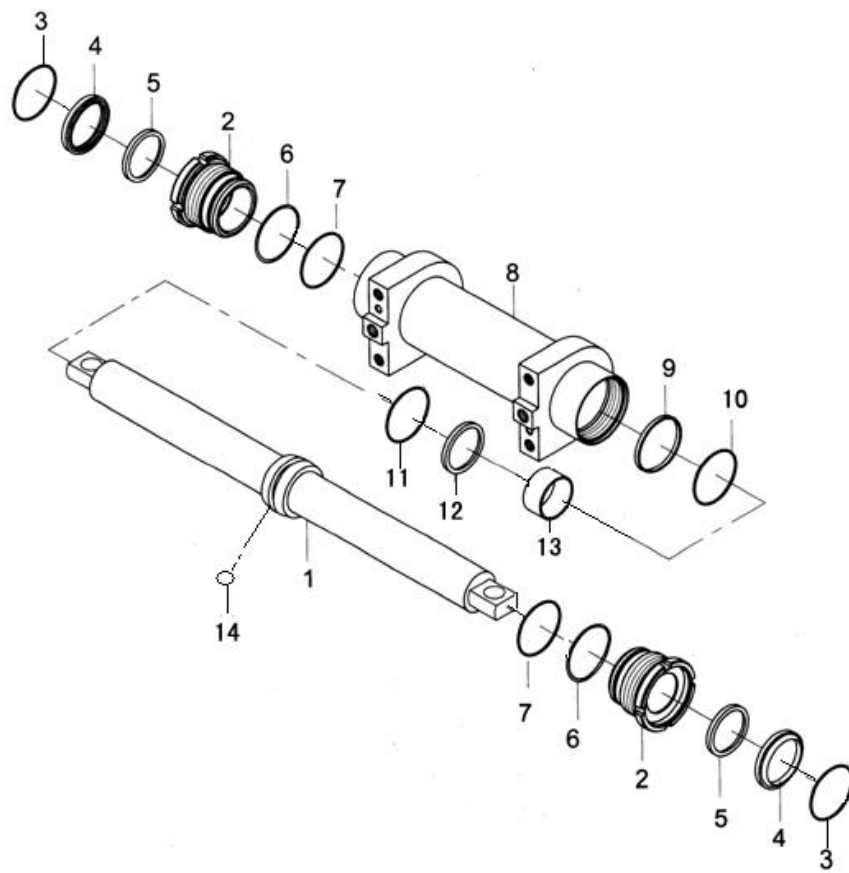


Figure 11

Figure11**Steering cylinder**

NO	SN	Name	QTY	Remarks
1	▲	The piston rod	1	
2	▲	Cylinder head	2	
3	▲	Shield	2	
4	▲	Zoccone seal ring	2	
5	▲	Piston rod guide ring	4	
6	▲	Retaining ring	2	
7	▲	O ring	2	
8	▲	Cylinder block	1	
9	▲	T - conger to circle	1	
10	▲	O- ring	1	
11	▲	Guide ring for piston	1	
12	▲	Guide ring for piston	1	
13	▲	The piston	1	
14	▲	Steel ball	1	
A	256598510007	Cylinder seal package (steering cylinder)	1	include3-5, 9-12

Note: components are not provided separately

Steering wheel assembly (rear wheel)

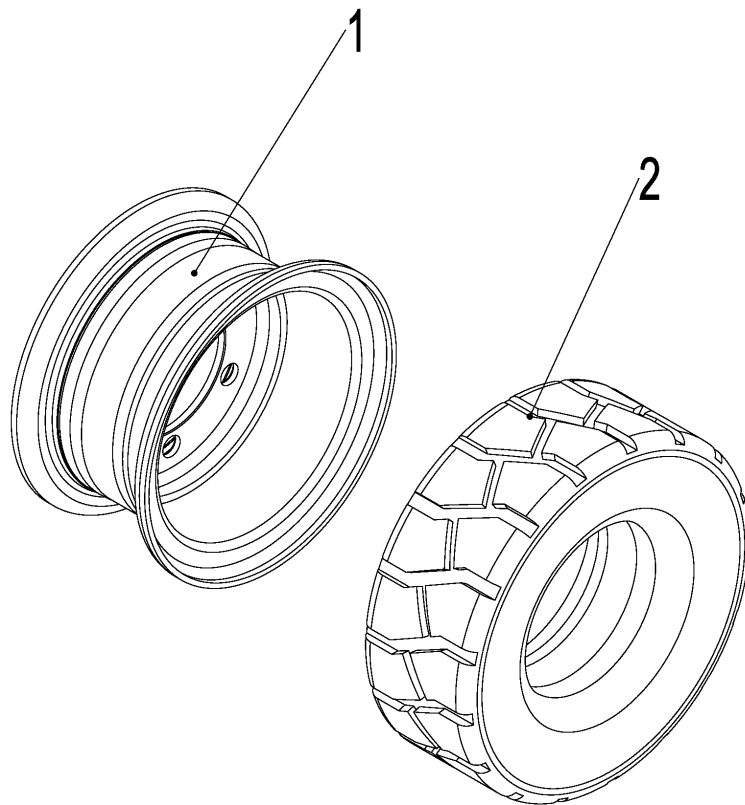


Figure 12

Figure12 Steering wheel assembly (rear wheel)

NO	SN	Name	QTY	Remarks
A	256515510004	Steering wheel assembly 21x8-9(solid sunrise)	2	
	256515510005	Steering wheel assembly 21x8-9(environmental sunrise)	2	optional
1	256515510002	Rim assembly 6.00E-9	1	
2	256515510001	Tire 21x8-9(solid sunrise)	1	
	256515510003	Tire 21x8-9(environmental sunrise)	1	optional

Installation of angle sensor

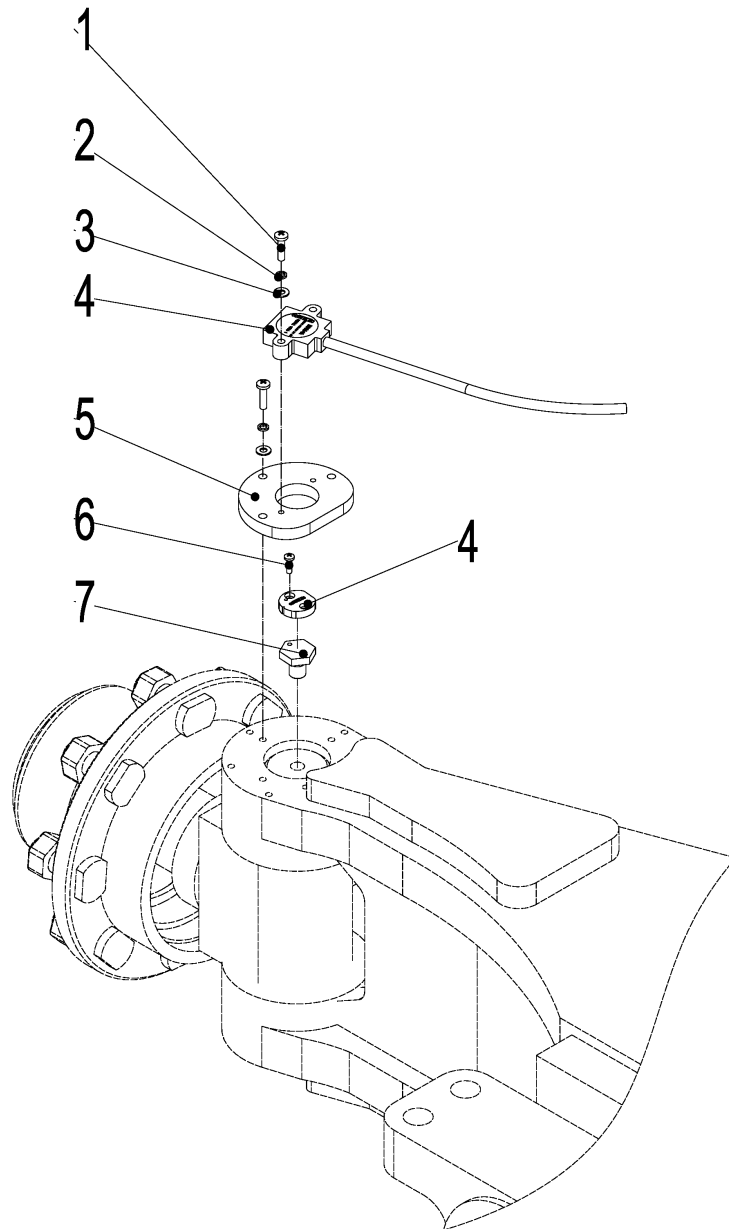


Figure 13

Figure13 Installation of angle sensor

NO	SN	Name	QTY	Remarks
1	910200200014	Screw GB70.1 M4x12-8.8	5	
2	910400500003	Spring washer gb93-4	5	
3	910400100003	The flat washer GB97.1-4-200 hv	5	
4	255016022002	Angle sensor	1	
5	256516020002	Mounting plate (sensor)	1	
6	910200200001	Screw GB70.1 M3x8-8.8	2	
7	256516020001	Under stud (sensor)	1	

Service brake

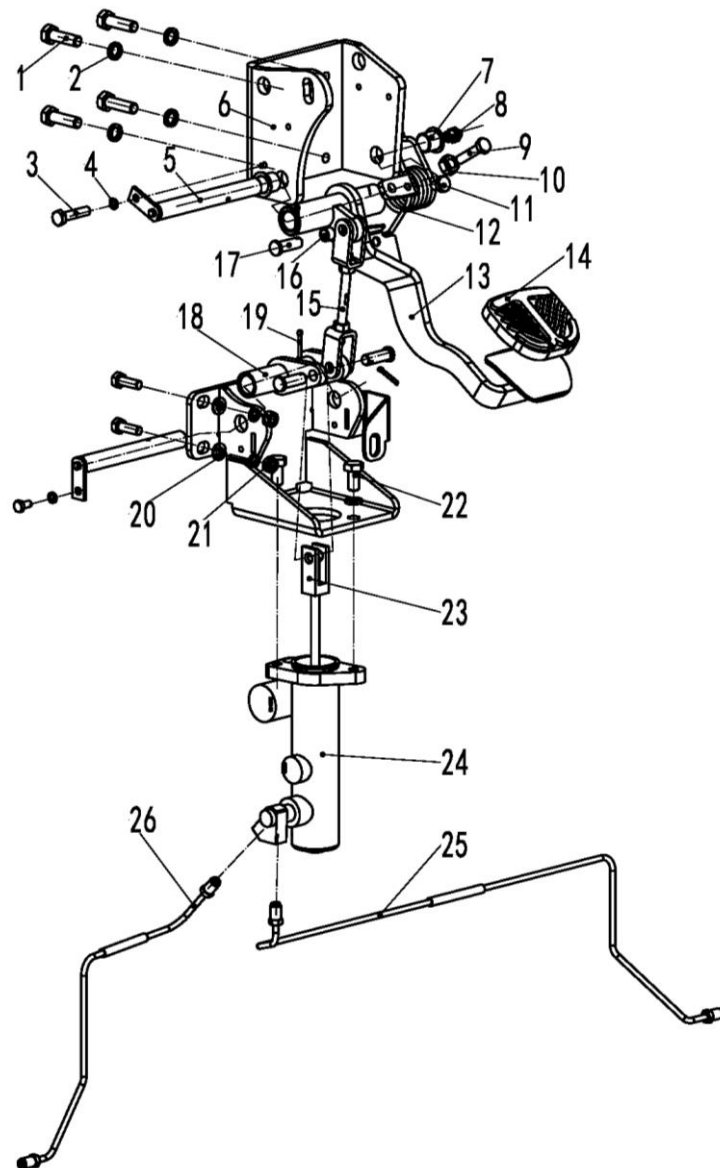


Figure 14

Figure14**Service brake**

NO	SN	Name	QTY	Remarks
1	910100300039	Bolt GB5783 M10x40-8.8	8	
2	910400500007	Spring washer gb93-10	8	
3	910100300010	Bolt GB5783 M6x16-8.8	2	
4	910400500005	Spring washer gb93-6	2	
5	255011510003	With trunnion Φ 16 x135	2	
6	255011510004	Foot brake bracket welding	1	
7	940500100006	Composite set Φ 16 x Φ 18 x15 - SF - 1	4	
8	911200100004	Oil cup JB7940.1 - M10x1	2	
9	910100100023	Bolt GB5782 M8x45-8.8	1	
10	910300100006	Nut GB6170 M8-10	1	
11	255011520010	cushion	1	
12	255011520008	Torsional spring	1	
13	255011510002	Pedal welded	1	
14	255011520013	Pedal (rubber)	1	
15	256511511008	The connecting rod assembly	1	
16	940500100048	Composite set of 12 by 8-10 x Φ Φ SF - 1	1	
17	910600700033	Pin GB882 - B10x30x3. 2	3	
18	256511511007	Rolled plate welded together	1	
19	910600600015	Cotter pin GB91-2 x20	1	
20	910400100007	Flat washer GB97.1-10-200 hv	6	
21	910300100007	Nut GB6170 - M10-10	2	
22	910100300035	Bolt GB5783 M10x20-8.8	2	
23	256511511011	Brake pump tappet assembly	1	
24	256511511001	Brake pump assembly	1	
25	256511511009	Right brake steel pipe assembly	1	
26	256511511010	Left brake steel pipe assembly	1	

Control panel

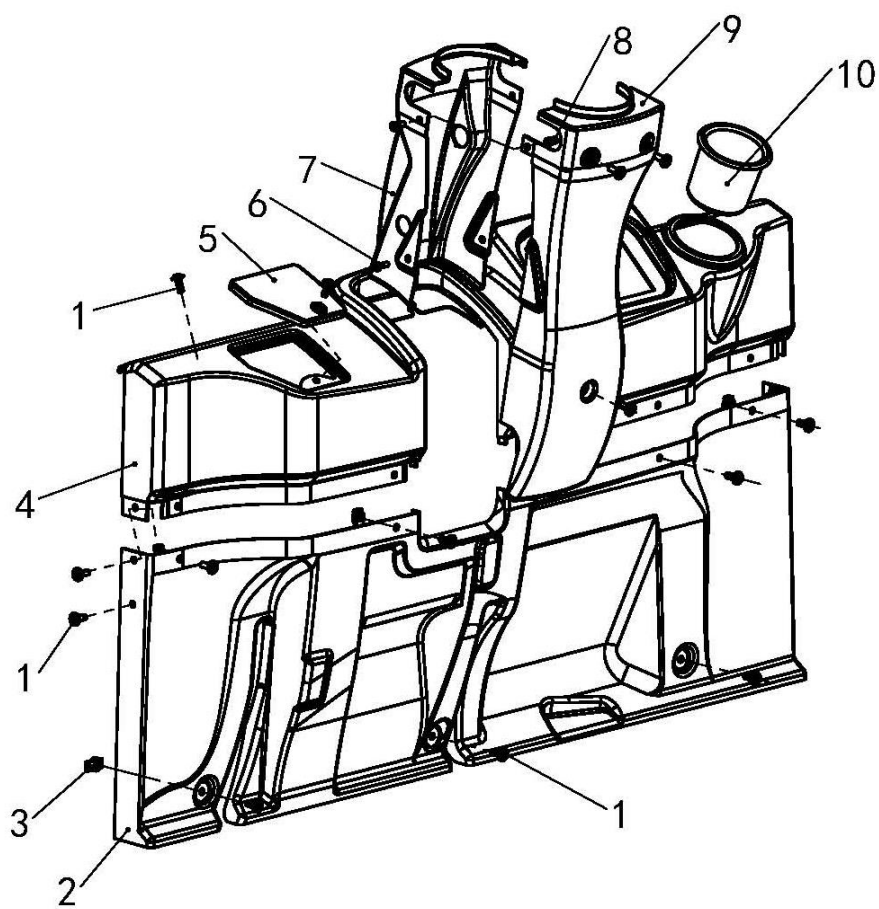


Figure 15

Figure15 control panel

NO	SN	Name	QTY	Remarks
1	941100100009	Screw M6x12-8.8	19	
2	255010020002	Under the hood	1	
3	255010020009	Reed nut M6	10	
4	255010020001	The hood (on) (Curtis)	1	optional
	255010020007	Cover (top) (Inmotion)	1	
5	255010020003	Brake lid	1	
6	910200500040	Screw GB818 M5x16-4.8	2	
7	255010020005	Front cover	1	
8	910301300001	Nut GB17880.1 - M5x14	1	
9	255010020006	Rear cover	1	
10	255010020004	Tool box	1	

Steering and installation

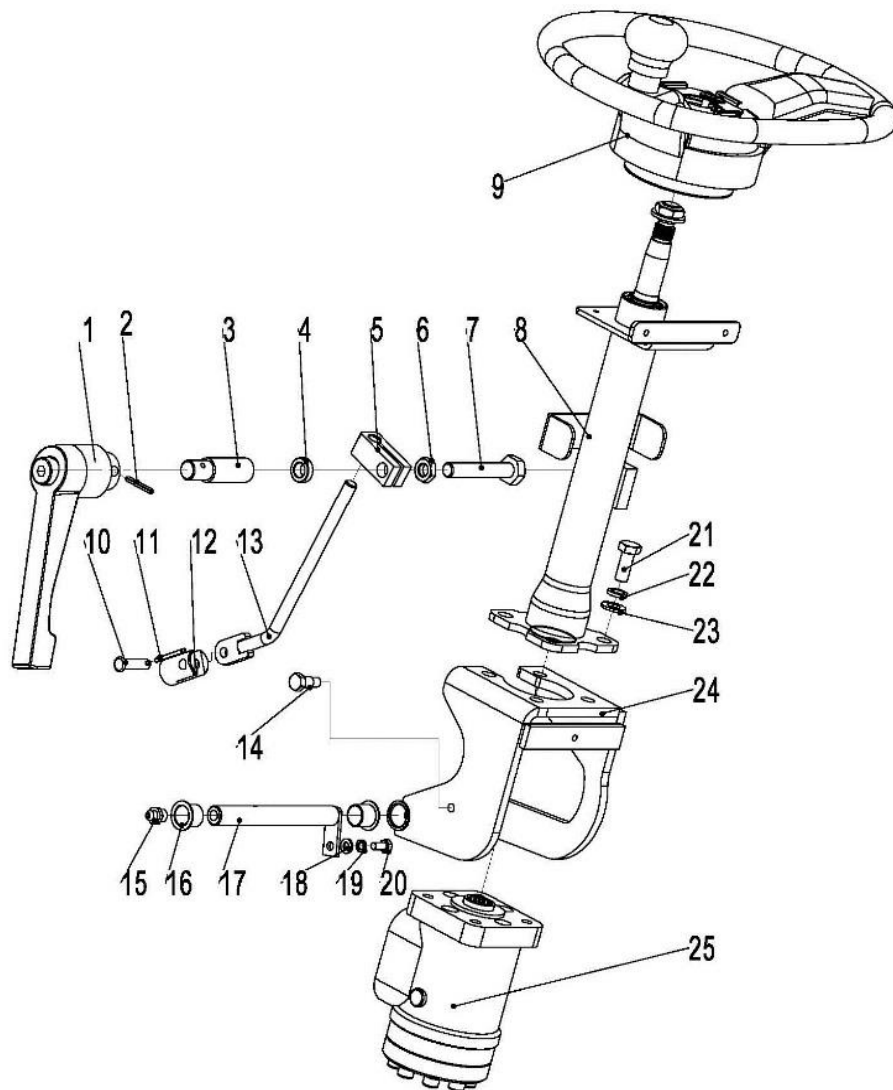


Figure 16

Figure16 Steering and installation

NO	SN	Name	QTY	Remarks
1	255015010007	The adjustable handle	1	
2	910600400015	Elastic cylinder pin gb879.1-4x30	1	
3	255015020025	Lock set	1	
4	255015020018	Gasket Φ 20 x Φ 12 by 8	1	
5	255015020019	Locking block	1	
6	910300300006	Nut GB6172.1 - M12-05	1	
7	910100300057	Bolt GB5783 M12x70-8.8	1	
8	255015010001	Steering string assembly	1	
9	255015010003	The steering wheel	1	
10	910600700014	Pin GB882-6 x26x1.6	1	
11	910600600005	Cotter pin GB91-1.6 x10	1	
12	255015020002	The fixed seat	1	
13	255015010005	Adjust rod welding	1	
14	255015020021	Adjust the screw	1	
15	911200100004	Oil cup JB7940.1 - M10x1	1	
16	940500200016	Composite set (shoulder) Φ 16 x Φ 18 x16 - SF - 1	2	
17	255011510003	With trunnion % c16x135	1	
18	910400100005	Flat washer GB97.1-6-200 hv	1	
19	910400500005	Spring washer gb93-6	1	
20	910100300009	Bolt GB5783 M6x12-8.8	1	
21	910100300036	Bolt GB5783 M10x25-8.8	4	
22	910400500007	Spring washer gb93-10	4	
23	910400100007	Flat washer GB97.1-10-200 hv	4	
24	255015010004	Support welded	1	
25	256515010002	Steering BZZ1 E125BC - H	1	

Parking braking

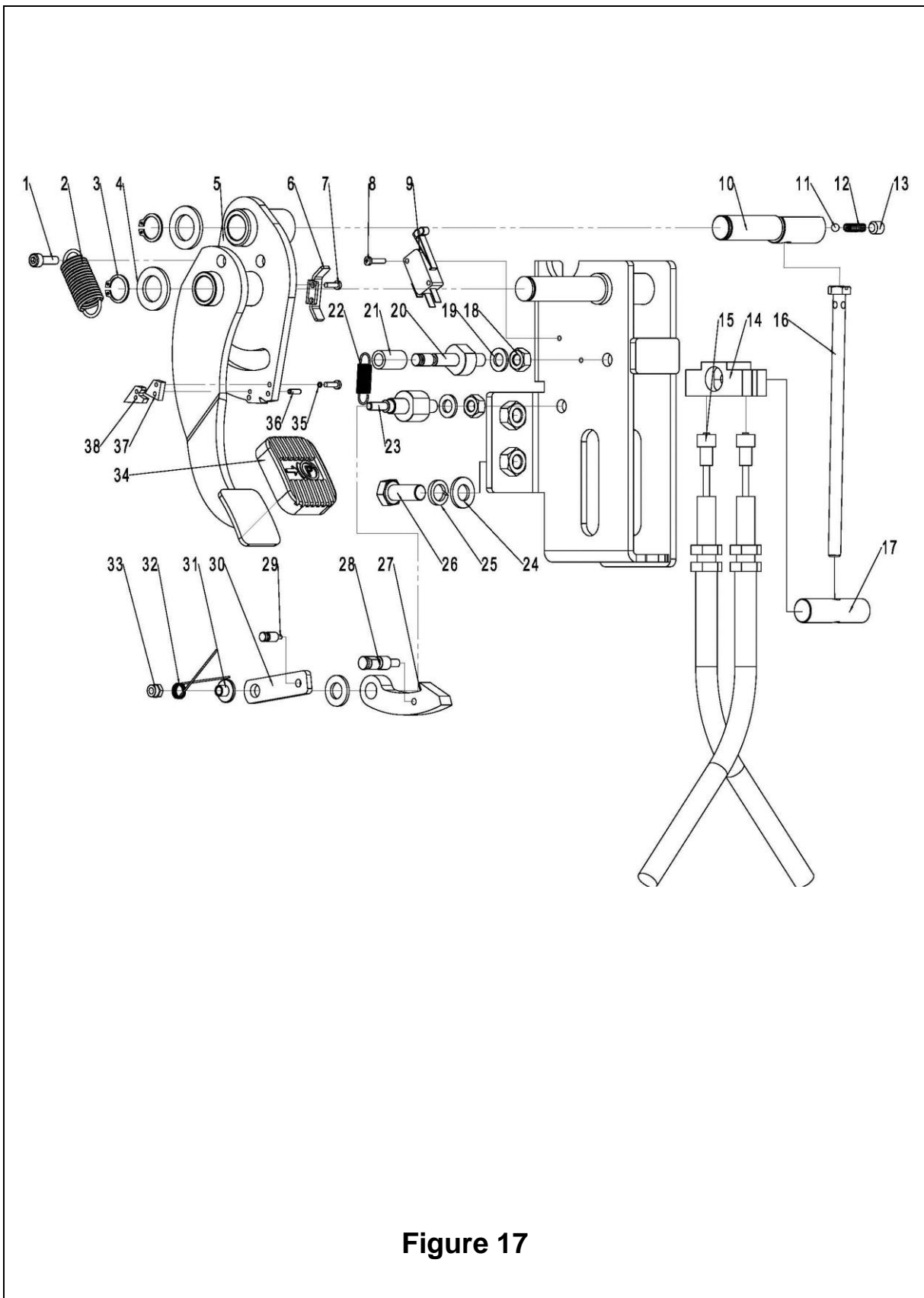


Figure 17

Figure17**Parking braking**

NO	SN	Name	QTY	Remarks
A	255012010001	Parking brake assembly	1	include1-38(no15)
1	▲	Screw GB70.1 M5x16-8.8	1	
2	▲	Tension spring 2	1	
3	▲	Elastic retaining ring for shaft gb894.1-16	2	
4	▲	The flat washer GB97.1-16-200 hv	2	
5	▲	Pedal welded	1	
6	▲	baffle	1	
7	▲	Screw GB818 M3x8-4.8	5	
8	▲	Screw GB818 M3x20-4.8	2	
9	920200300009	Micro switch RV- 166-1c25	1	
10	▲	Gear shaft	1	
11	▲	Steel ball GB308-5.5	1	
12	▲	Compression spring	1	
13	▲	Screw GB77 M8x8-45 h	1	
14	▲	Install the seat	1	
15	256598513525	Hand brake cable	2	
16	▲	M8x170 bolt	1	
17	▲	Gear shaft	1	
18	▲	Nut GB6170 M8-10	2	
19	▲	The flat washer GB97.1-8-200 hv	2	
20	▲	Shaft 3	1	
21	▲	Pu tube	1	
22	▲	Tension spring 1	1	
23	▲	Axis 4	1	
24	▲	Flat washer GB97.1-10-200 hv	4	
25	▲	Spring washer gb93-10	3	
26	▲	Bolt GB5783 M10x25-8.8	3	

Note: components are not provided separately

Parking braking

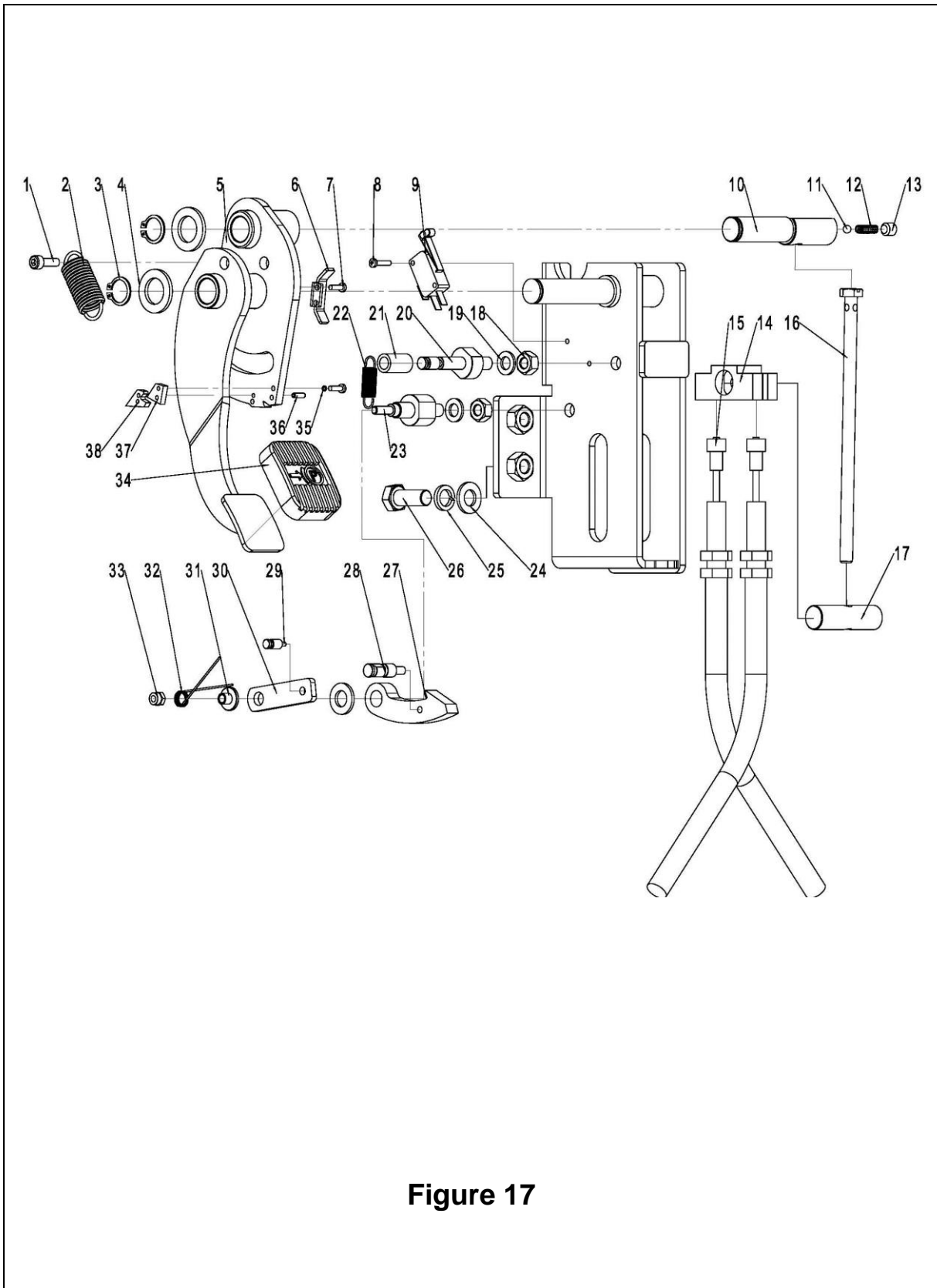


Figure 17

Figure17**Parking braking**

NO	SN	Name	QTY	Remarks
27	▲	Board 2	1	
28	▲	Axis 1	1	
29	▲	Axis 2	1	
30	▲	Plate 1	1	
31	▲	Torsion spring seat	1	
32	▲	Torsional spring	1	
33	▲	Nut GB889.1 - M5-10	1	
34	▲	Pedal pad	1	
35	▲	Spring washer gb93-3	3	
36	▲	Elastic cylindrical pin gb879.1-2.5x10	1	
37	▲	Board 2	1	
38	▲	Plate 3	1	

Note: components are not provided separately

Electric cap installation

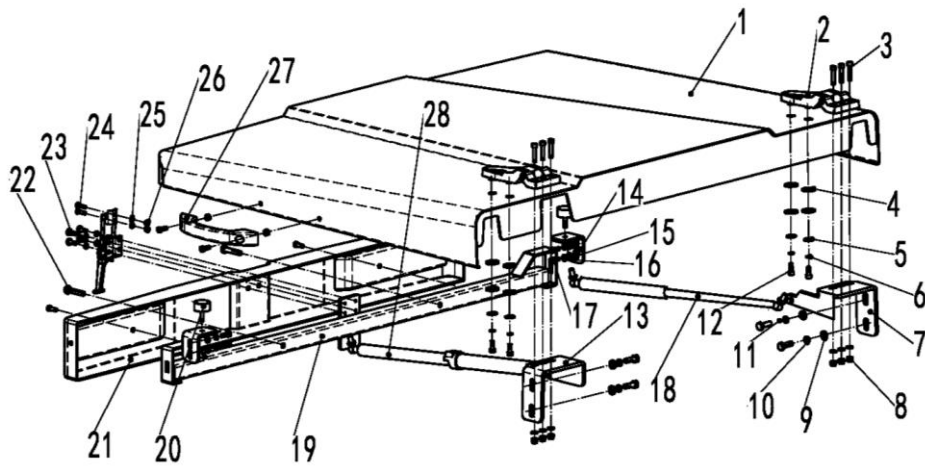


Figure 18

Figure18 Electric cap installation

NO	SN	Name	QTY	Remarks
1	256521011003	Cap welding	1	
2	255022511016	The hinge assembly	2	
3	910200200039	Screw GB70.1 M6x30-8.8	6	
4	910400100008	The flat washer GB97.1-12-200 hv	4	
5	910400100005	Flat washer GB97.1-6-200 hv	10	
6	910400500005	Spring washer gb93-6	10	
7	256521011006	Left hinge assembly	1	
8	910300100005	Nut GB6170 - M6-10	10	
9	910400100007	Flat washer GB97.1-10-200 hv	4	
10	910400500007	Spring washer gb93-10	4	
11	910100300036	Bolt GB5783 M10x25-8.8	4	
12	910200200039	Screw GB70.1 M6x30-8.8	4	
13	256521011005	Right hinge assembly	1	
14	256521021051	Vibration damping cushion bracket	1	
15	910400500006	Spring washer gb93-8	4	
16	910400100006	The flat washer GB97.1-8-200 hv	4	
17	910100300020	Bolt GB5783 M8x16-8.8	4	
18	940400100035	Gas spring 500 n (D620)	1	
19	256521011004	Rear housing to secure beam	1	
20	505618020016	cushion	2	
21	256521021006	Cover the back of the battery	1	
22	910100300026	Bolt GB5783 M8x40-8.8	2	
23	910200300019	Screw GB70.2 M6x20-8.8	4	
24	910200500041	Screw GB818 M5x20-4.8	2	
25	910400100004	Flat washer GB97.1-5-200 hv	2	
26	910300100004	Nut GB6170 - M5-10	2	
27	255021020020	Shake handhandle	1	
28	940400100031	Air spring 500N(D620)-self-locking	1	

Seat cover plate installation

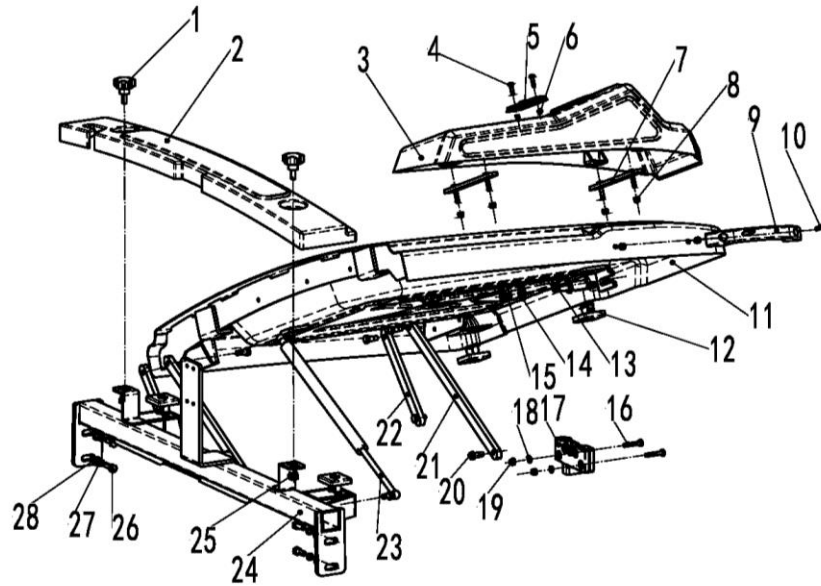


Figure19

Figure19 Seat cover plate installation

NO	SN	Name	QTY	Remarks
1	281223021006	Cover plate bolt	2	
2	256521021005	Decorative cover (middle)	1	
3	255021020003	Decorative covers	1	
4	910200500041	Screw GB818 M5x20-4.8	2	
5	255021020067	folder	1	
6	910300100004	Nut GB6170 - M5-10	2	
7	255021010016	Pressure plate welded	2	
8	910300100005	Nut GB6170 - M6-10	4	
9	255021020020	Shake handshandle	1	
10	910200500053	Screw GB818 M6x20-4.8	2	
11	256521011002	Box cover welding (5t)	1	
12	255021020068	cushion	4	
13	255021020052	The lock tongue 2	1	
14	910400100005	Flat washer GB97.1-6-200 hv	2	
15	910300100008	Nut GB6170 - M12-10	1	
16	910200500056	Screw GB818 M6x35-4.8	2	
17	255021010010	The lid lock	1	
18	910400100005	Flat washer GB97.1-6-200 hv	2	
19	910400500008	Spring washer gb93-12	1	
20	255015020021	Adjust the screw	8	
21	256521021021	Hinge plate I	1	
22	256521021022	Hinge plate II	1	
23	940400100019	Air spring 550N(D515)- self locking	1	
24	256521011001	Welding of beam support	1	
25	940801500002	Clamp nut M8	2	
26	910100300036	Bolt GB5783 M10x25-8.8	4	
27	910400100007	Flat washer GB97.1-10-200 hv	4	
28	910400500007	Spring washer gb93-10	4	

Multiple valve cover installation

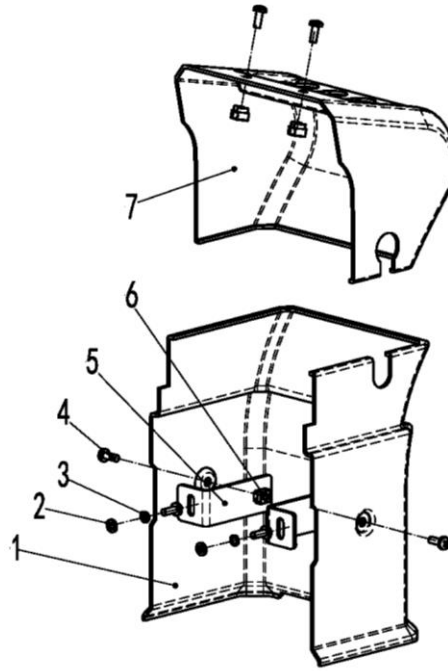


Figure20

Figure20 Multiple valve cover installation

NO	SN	Name	QTY	Remarks
1	255021020002	Shield 1	1	
2	910400100005	Flat washer GB97.1-6-200 hv	2	
3	910400500005	Spring washer gb93-6	2	
4	910200500053	Screw GB818 M6x20-4.8	6	
5	255021020051	stents	2	
6	255021020058	M6 clip nut	4	
7	255021020001	Shield 2	1	

Left panel mounting

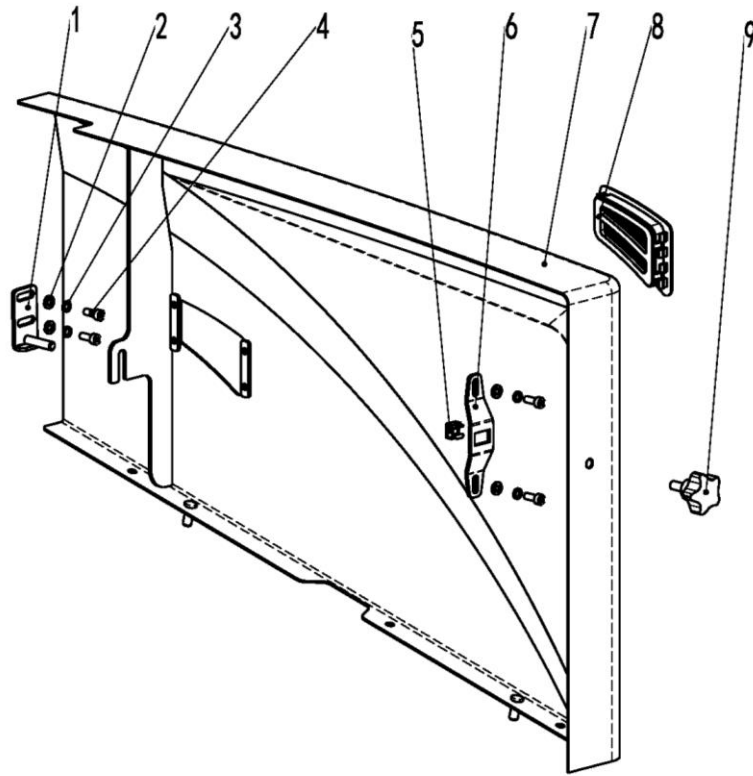


Figure21

Figure21**Left panel mounting**

NO	SN	Name	QTY	Remarks
1	255021010015	Hook welding (left)	1	
2	910400100005	Flat washer GB97.1-6-200 hv	2	
3	910400500005	Spring washer gb93-6	2	
4	910200500052	Screw GB818 M6x16-4.8	2	
5	940801500002	Clamp nut M8	1	
6	255021020063	Bracket (left panel)	1	
7	256521011016	Side plate welding (left)	1	
8	505621510004	Air vent (right)	1	
9	255021020060	Knob bolt	1	

Right board installation

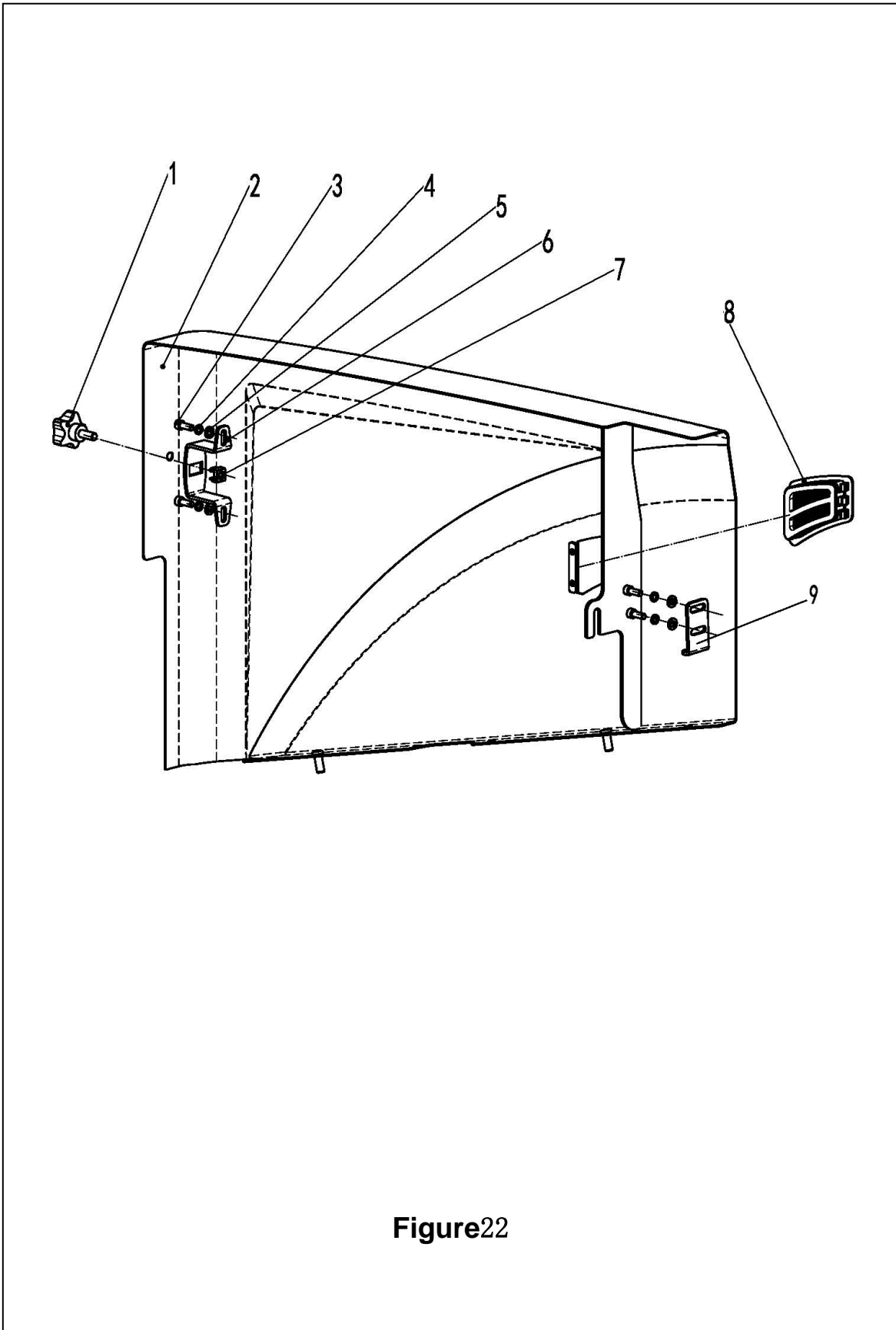


Figure22

Figure22**Right board installation**

NO	SN	Name	QTY	Remarks
1	255021020060	Knob bolt	1	
2	256521011017	Side plate welding (right)	1	
3	910200500052	Screw GB818 M6x16-4.8	2	
4	910400500005	Spring washer gb93-6	2	
5	910400100005	Flat washer GB97.1-6-200 hv	2	
6	255021020062	Support (right board)	1	
7	940801500002	Clamp nut M8	1	
8	505621510004	Air vent (right)	1	
9	255021010015	Hook welding (left)	1	

Floor installation

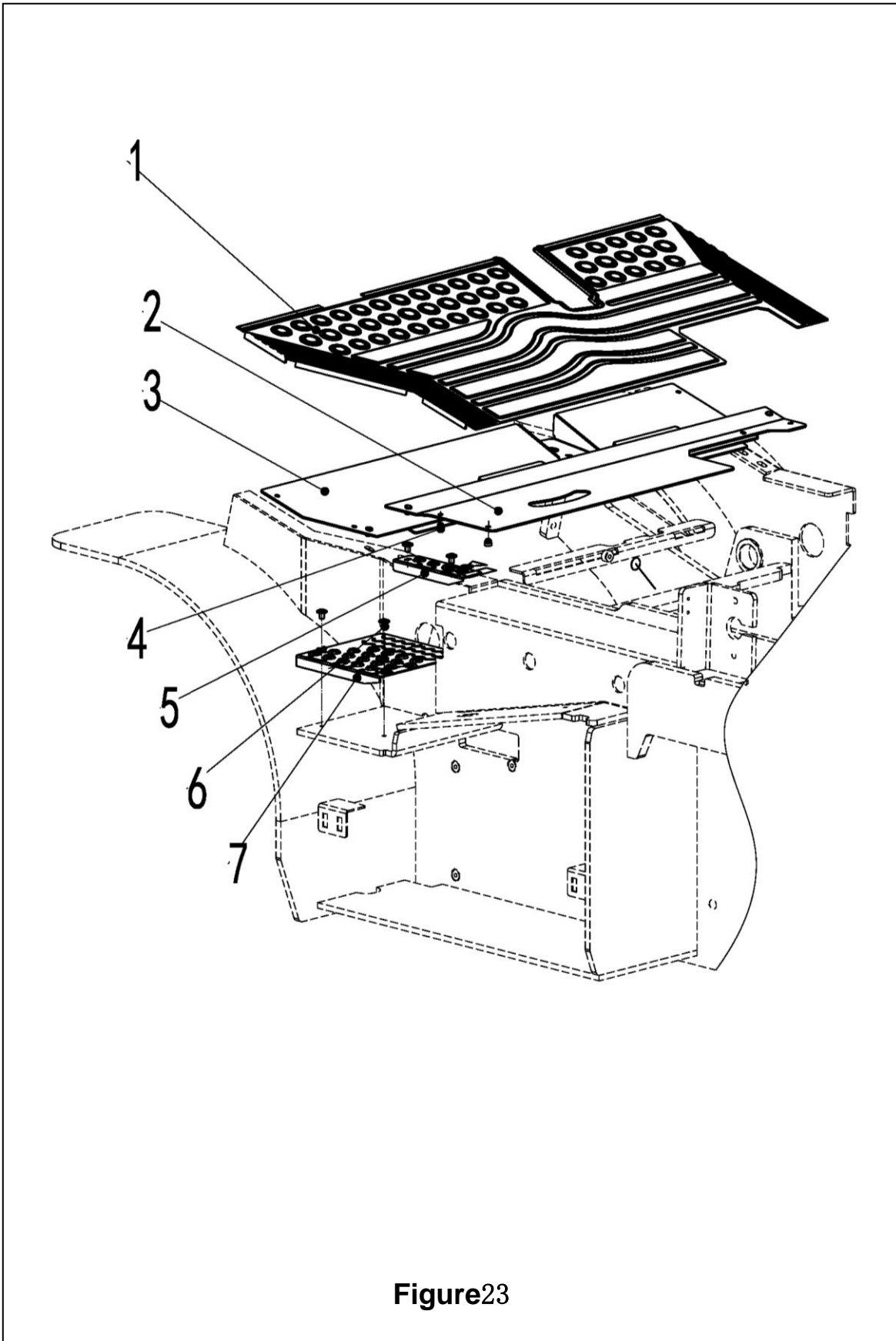


Figure23

Figure23**Floor installation**

NO	SN	Name	QTY	Remarks
1	255018020005	Floor mat	1	
2	255018010002	Floor bonding (after)	1	
3	255018010001	Floor bonding (front)	1	
4	255018020010	Rubber mat	6	
5	256518021007	Step on (upper)	1	
6	941100100001	Screw M8x12-8.8	2	
7	256518021006	Step on (down)	1	

The frame assembly

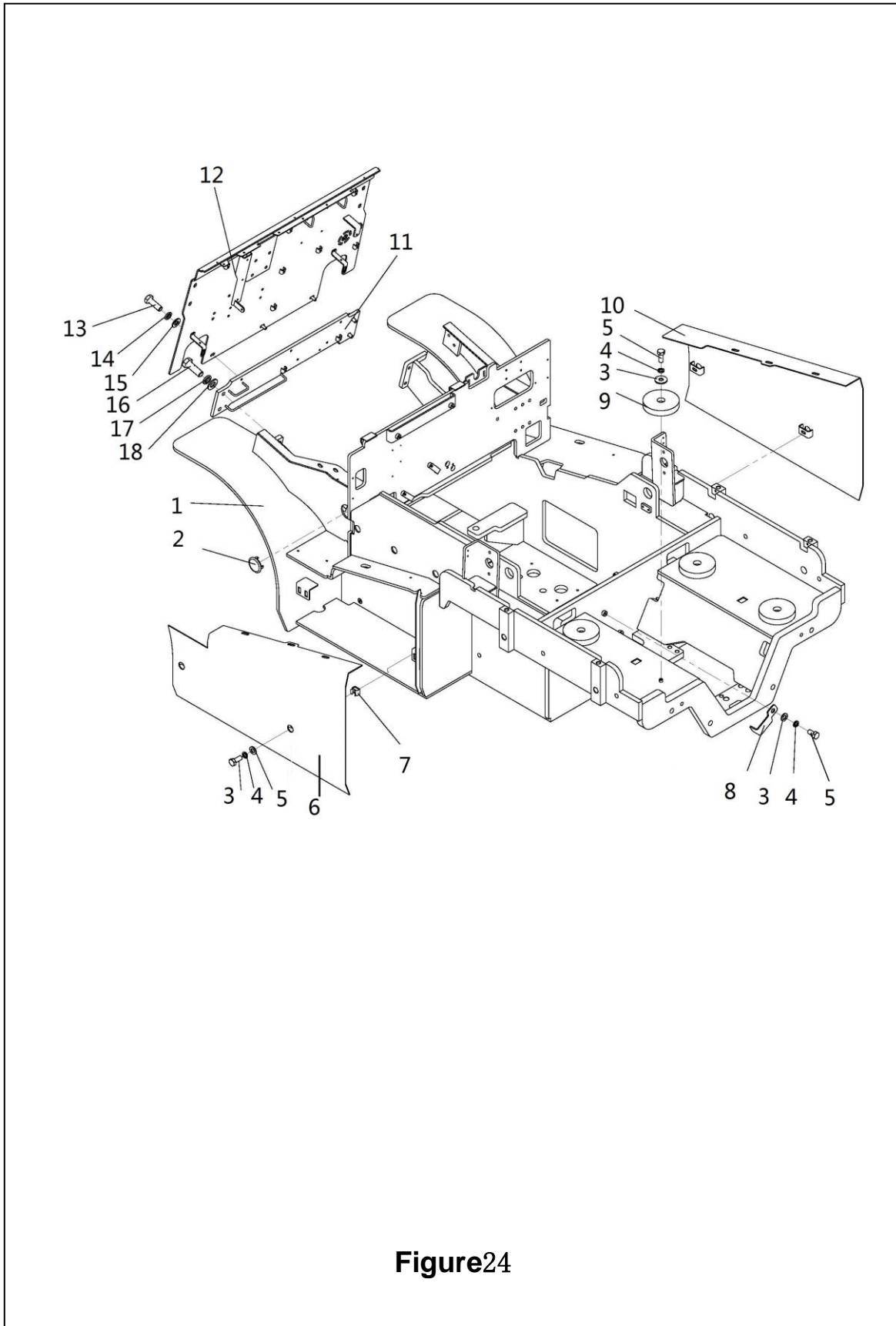


Figure24

Figure24**The frame assembly**

NO	SN	Name	QTY	Remarks
1	256521511001	Frame welding (5T)	1	
2	256521521088	cover	2	
3	910400100006	The flat washer GB97.1-8-200 hv	18	
4	910400500019	Spring washer gb93-8	18	
5	910200200053	Screw GB70.1 M8x12-8.8	18	
6	256521511011	Side plate welding (left)	1	
7	940801500002	Clamp nut M8	4	
8	255021520104	Pressure plate (pipeline)	10	
9	255021520109	Cushion Φ 140 x Φ x25 13	4	
10	256521511012	Side plate welding (right)	1	
11	256521511010	Front plate welding	1	
12	256521511009	Instrument rack welding	1	
13	910100300036	Bolt GB5783 M10x25-8.8	3	
14	910400500007	Spring washer gb93-10	3	
15	910400100007	Flat washer GB97.1-10-200 hv	3	
16	910100300063	Bolt GB5783 M14x35-8.8	4	
17	910400500009	Spring washer gb93-14	4	
18	910400100009	The flat washer GB97.1-14-200 hv	4	

Assembly of roof guard

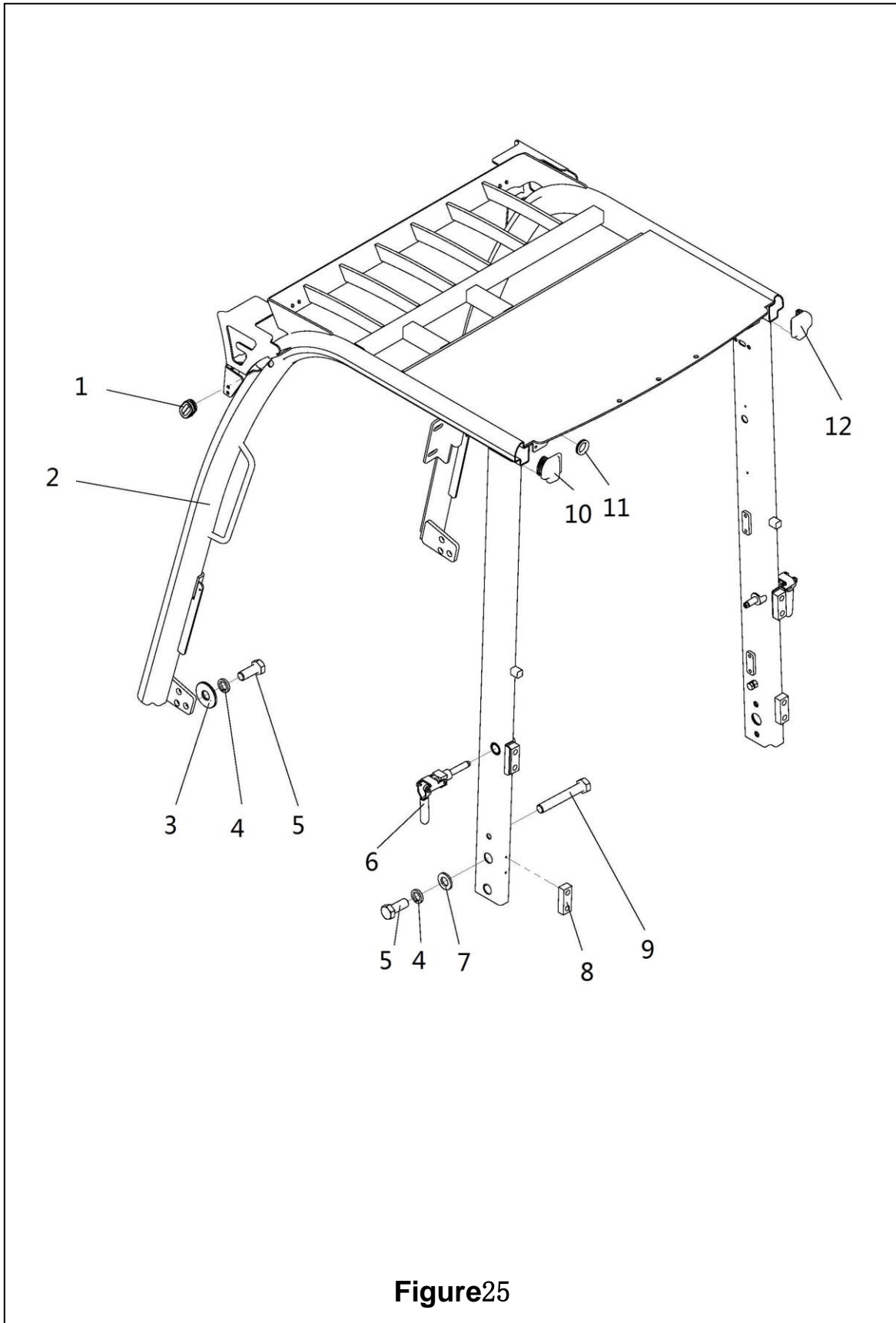


Figure25

Figure25**Assembly of roof guard**

NO	SN	Name	QTY	Remarks
1	255022020003	Headlights go through coils	2	
2	256522010001	Top bracket welding (5T)	1	
3	910400200005	Big washer GB96.1-12-200 hv	4	
4	910400500008	Spring washer gb93-12	8	
5	910100300050	Bolt GB5783 M12x30-8.8	8	
6	256522011020	Rapid KL - 36224	2	
7	910400100008	The flat washer GB97.1-12-200 hv	4	
8	252021020030	80 x30x20 cushion	4	
9	910100300059	Bolt GB5783 M12x80-8.8	2	
10	255022020001	Protective cover 1 (shaped pipe)	1	
11	255022020004	Tail light coils out	2	
12	252022020050	Charging socket wire washer	1	

Balance reinstatement

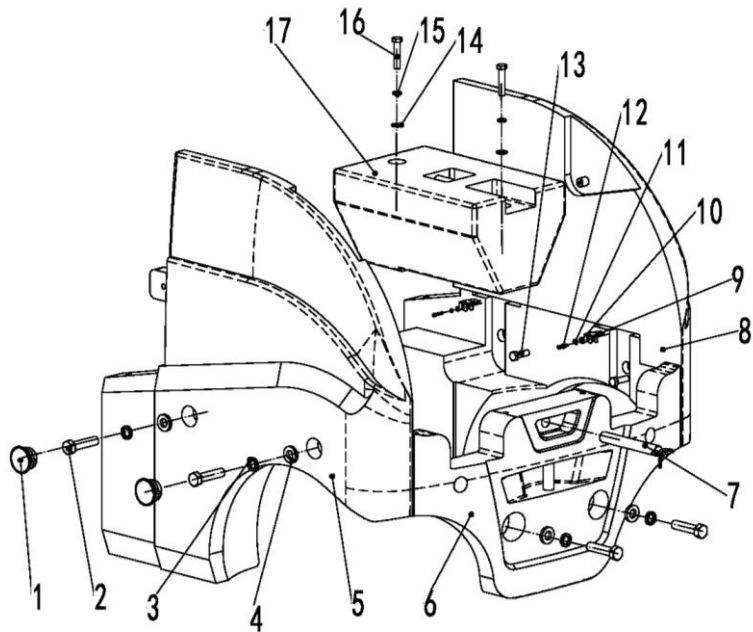


Figure26

Figure26**Balance reinstallation**

NO	SN	Name	QTY	Remarks
1	256521521088	cover	6	
2	910100100101	Bolt GB5782 M24x100-8.8	6	
3	910400500013	Spring washer gb93-24	6	
4	256523021007	Gasket $\Phi \Phi$ 48 x 25 by 8	6	
5	256523021001	Counterweight (50 left)	1	
6	256523021003	Counterweight (after 50)	1	
7	256523011010	Weld the safety pin	1	
8	256523021002	Counterweight (50 right)	1	
9	255023020006	Adjust the gasket	4	
10	910400100005	Flat washer GB97.1-6-200 hv	4	
11	910400500005	Spring washer gb93-6	4	
12	910100300011	Bolt GB5783 M6x20-8.8	6	
13	910100400031	Bolt GB5786 - M16x1. 5 x50-8.8	6	
14	910400500010	Spring washer gb93-16	2	
15	910400100010	The flat washer GB97.1-16-200 hv	2	
16	910100200017	Bolt GB5786 - M16x1. 5 x80-8.8	6	
17	256523021004	Tailstock counterweight	1	optional

Multiple directional control valve (two pieces)

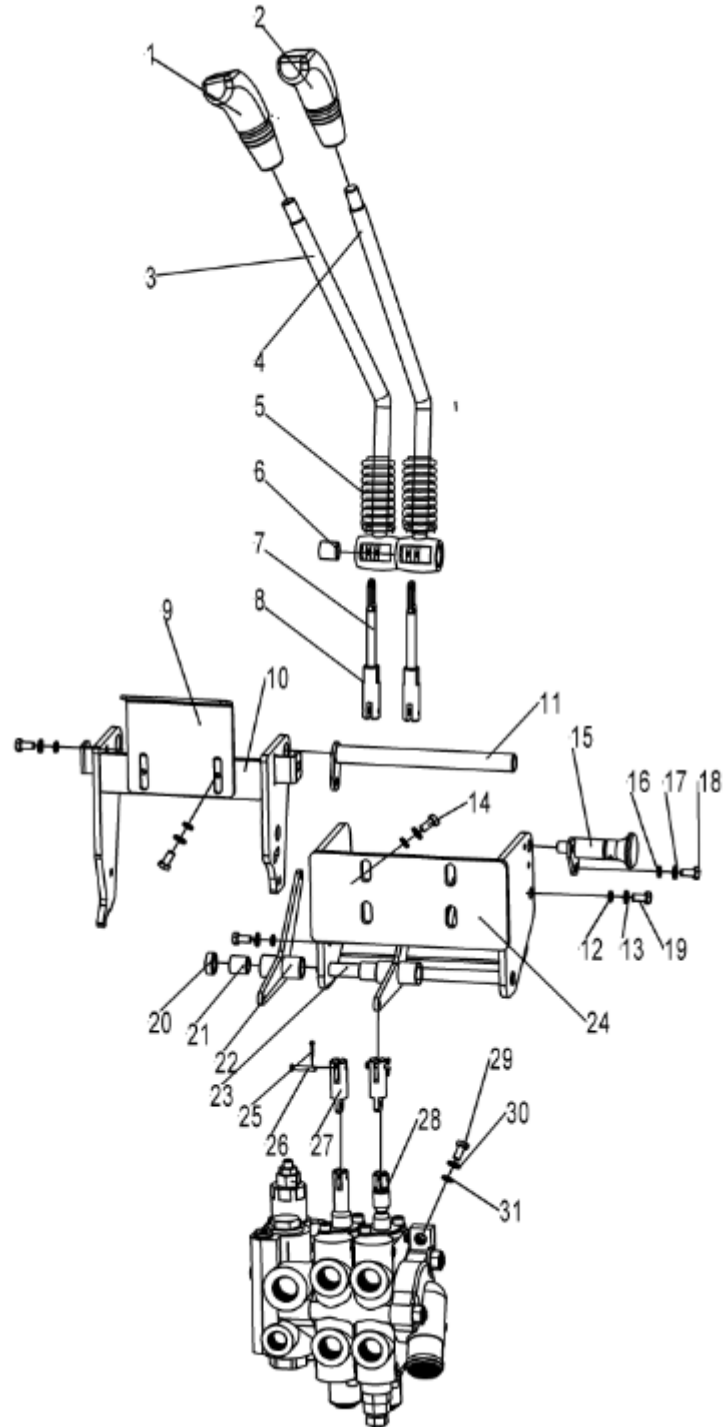


Figure 27

Figure27 Multiple directional control valve (two pieces)

NO	SN	Name	QTY	Remarks
1	255024520022	Handle ball (lifting)	1	
2	255024520023	Handle ball (tilt)	1	
3	255024510004	Joystick welding (lifting)	1	
4	255024510005	Joystick welding (tilt)	1	
5	255024520065	sheath	4	
6	940500100006	Composite set Φ 16 x Φ 18 x15 SF-1	4	
7	255024520017	Connecting rod	2	
8	256524521013	Connector 1	2	
9	281224521001	Fixed plate (protective cover)	1	
10	255024510001	Valve stem bracket welded	1	
11	255024510009	With trunnion Φ 16 x168	1	
12	910400100006	The flat washer GB97.1-8-200 hv	4	
13	910400500006	Spring washer gb93-8	4	
14	910100300023	Bolt GB5783 M8x25-8.8	3	
15	255024510006	Unlock handle assembly	1	
16	910400100005	Flat washer GB97.1-6-200 hv	7	
17	910400500005	Spring washer gb93-6	5	
18	910100300009	Bolt GB5783 M6x12-8.8	5	
19	910100300022	Bolt GB5783 M8x20-8.8	2	
20	256544020003	Round steel 20 x13x7	2	
21	940500100055	Composite set of 12 x Φ Φ 16 x16 SF-1	8	
22	256524511008	Connecting plate assembly	3	
23	256524511009	With trunnion Φ x180 12	1	
24	256524511002	The fixed seat	1	
25	910600600011	Cotter pin GB91-2 x12	8	
26	941100800001	Pin B4.75 x20 - c1B	8	
27	256524521014	Joint 2	4	
28	256524510001	Multiple unit valve(two)	1	
29	910400100007	Flat washer GB97.1-10-200 hv	3	
30	910400500007	Spring washer gb93-10	3	
31	910100300036	Bolt GB5783 M10x25-8.8	3	

Multiple directional control (three pieces)

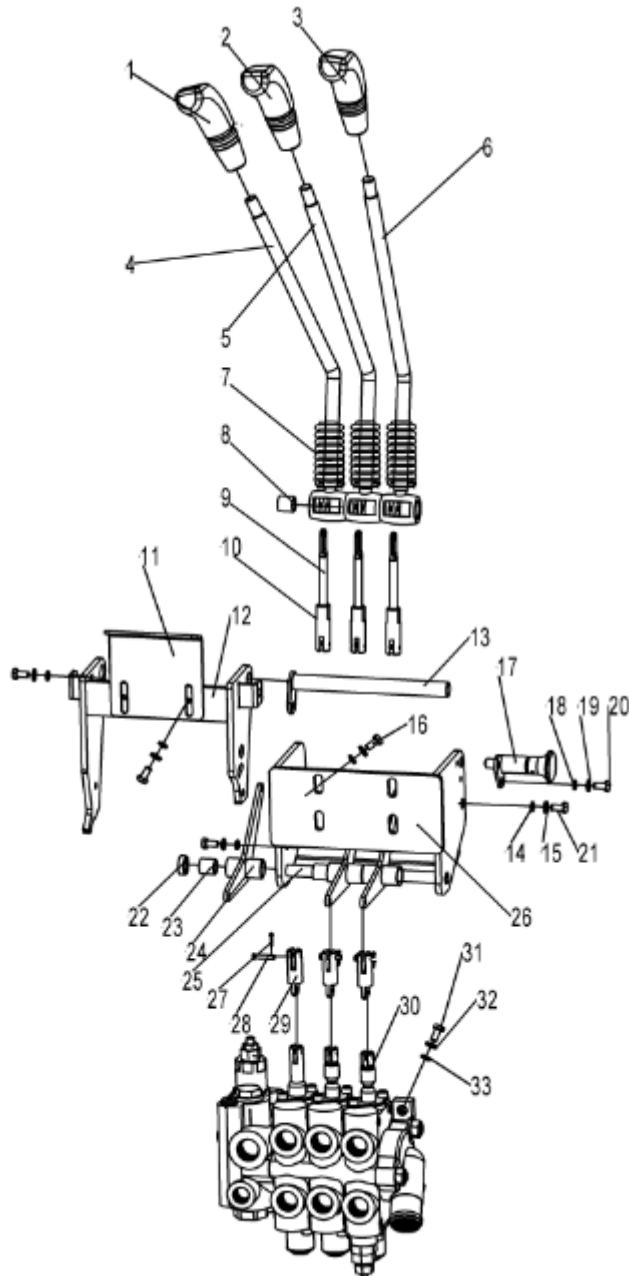


Figure 28

Figure28 Multiple directional control (three pieces)

NO	SN	Name	QTY	Remarks
1	255024520022	Handle ball (lifting)	1	
2	255024520023	Handle ball (tilt)	1	
3	255025020002	Handle ball (genus 1)	1	
4	255024510004	Joystick welding (lifting)	1	
5	255024510005	Joystick welding (tilt)	1	
6	255025010001	Welding of joystick (generic 1)	1	
7	255024520065	Sheath	4	
8	940500100006	Composite set Φ 16 x Φ 18 x15 -SF - 1	4	
9	255024520017	Connecting rod	3	
10	256524521013	Connector 1	3	
11	281224521001	Fixed plate (protective cover)	1	
12	255024510001	Valve stem bracket welded	1	
13	255024510009	With trunnion Φ 16 x168	1	
14	910400100006	The flat washer GB97.1-8-200 hv	5	
15	910400500006	Spring washer gb93-8	5	
16	910100300023	Bolt GB5783 M8x25-8.8	3	
17	255024510006	Unlock handle assembly	1	
18	910400100005	Flat washer GB97.1-6-200 hv	8	
19	910400500005	Spring washer gb93-6	6	
20	910100300009	Bolt GB5783 M6x12-8.8	5	
21	910100300022	Bolt GB5783 M8x20-8.8	2	
22	256544020003	Round steel 20 x13x7	2	
23	940500100055	Composite set of 12 x Φ Φ 16 x1 -SF-1	8	
24	256524511008	Connecting plate assembly	3	
25	256524511009	With trunnion Φ x180 12	1	
26	256524511002	The fixed seat	1	
27	910600600011	Cotter pin GB91-2 x12	10	
28	941100800001	Pin B4.75 x20 - c1B	10	
29	256524521014	Joint 2	4	

Multiple directional control (three pieces)

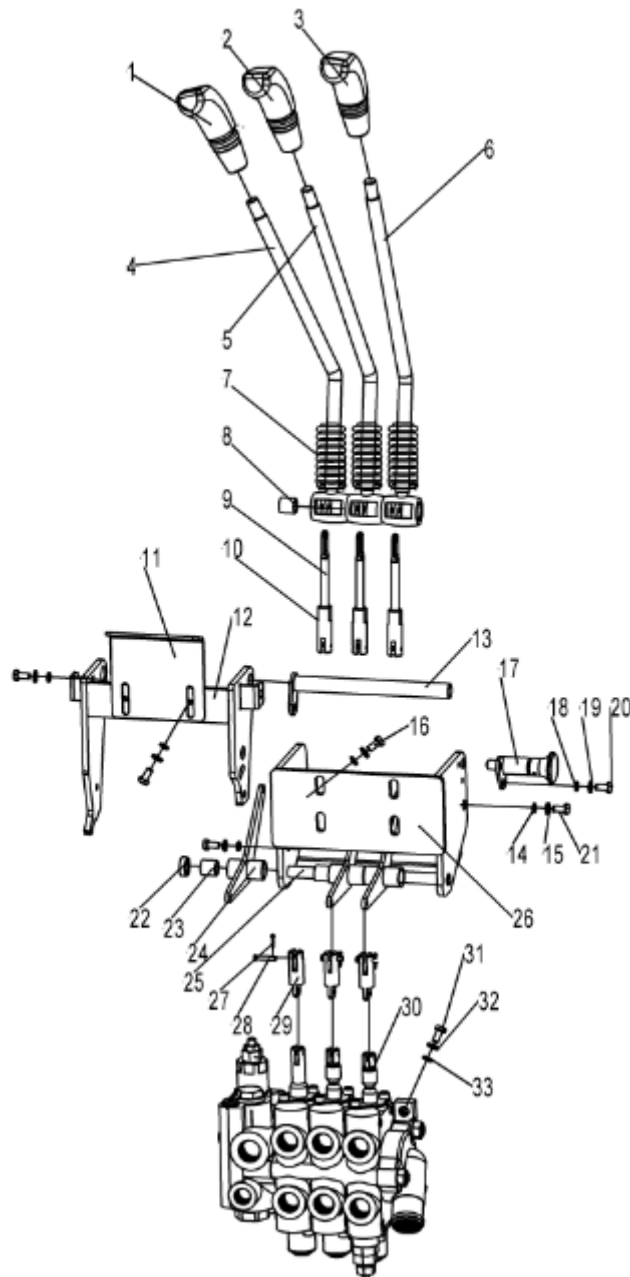


Figure 28

Figure28 Multiple directional control (three pieces)

NO	SN	Name	QTY	Remarks
30	256525010001	Multiple unit valve(Three)	1	
31	910400100007	Flat washer GB97.1-10-200 hv	3	
32	910400500007	Spring washer gb93-10	3	
33	910100300036	Bolt GB5783 M10x25-8.8	3	

Multiple directional control (four pieces)

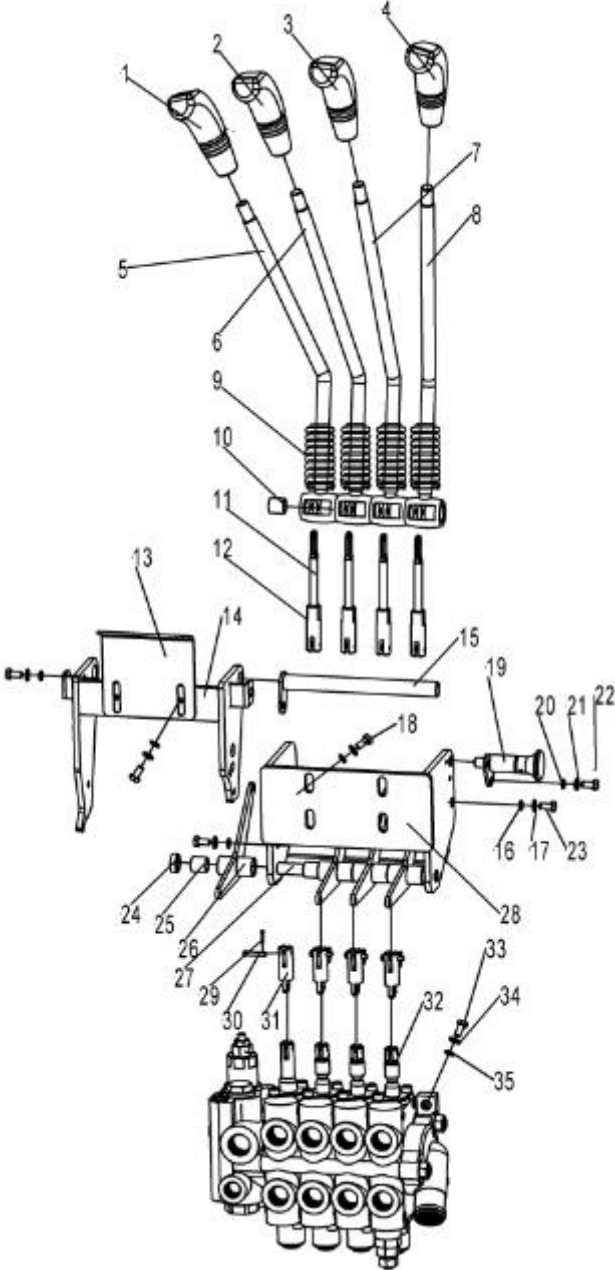


Figure 29

Figure29 Multiple directional control (four pieces)

NO	SN	Name	QTY	Remarks
1	255024520022	Handle ball (lifting)	1	
2	255024520023	Handle ball (tilt)	1	
3	255025020002	Handle ball (genus 1)	1	
4	255025520002	Handle ball (genus 2)	1	
5	255024510004	Joystick welding (lifting)	1	
6	255024510005	Joystick welding (tilt)	1	
7	255025010001	Welding of joystick (generic 1)	1	
8	255025510001	Welding of joystick (appurtendum 2)	1	
9	255024520065	Sheath	4	
10	940500100006	Composite set Φ 16 x Φ 18 x15 -SF- 1	4	
11	255024520017	Connecting rod	4	
12	256524521013	Connector 1	4	
13	281224521001	Fixed plate (protective cover)	1	
14	255024510001	Valve stem bracket welded	1	
15	255024510009	With trunnion Φ 16 x168	1	
16	910400100006	The flat washer GB97.1-8-200 hv	6	
17	910400500006	Spring washer gb93-8	6	
18	910100300023	Bolt GB5783 M8x25-8.8	4	
19	255024510006	Unlock handle assembly	1	
20	910400100005	Flat washer GB97.1-6-200 hv	9	
21	910400500005	Spring washer gb93-6	7	
22	910100300009	Bolt GB5783 M6x12-8.8	5	
23	910100300022	Bolt GB5783 M8x20-8.8	2	
24	256544020003	Round steel 20 x13x7	2	
25	940500100055	Composite set of 12 x Φ 16 x16-SF-1	8	
26	256524511008	Connecting plate assembly	4	
27	256524511009	With trunnion Φ x180 12	1	
28	256524511002	The fixed seat	1	
29	910600600011	Cotter pin GB91-2 x12	12	
30	941100800001	Pin B4.75 x20 - c1B	12	

Multiple directional control (four pieces)

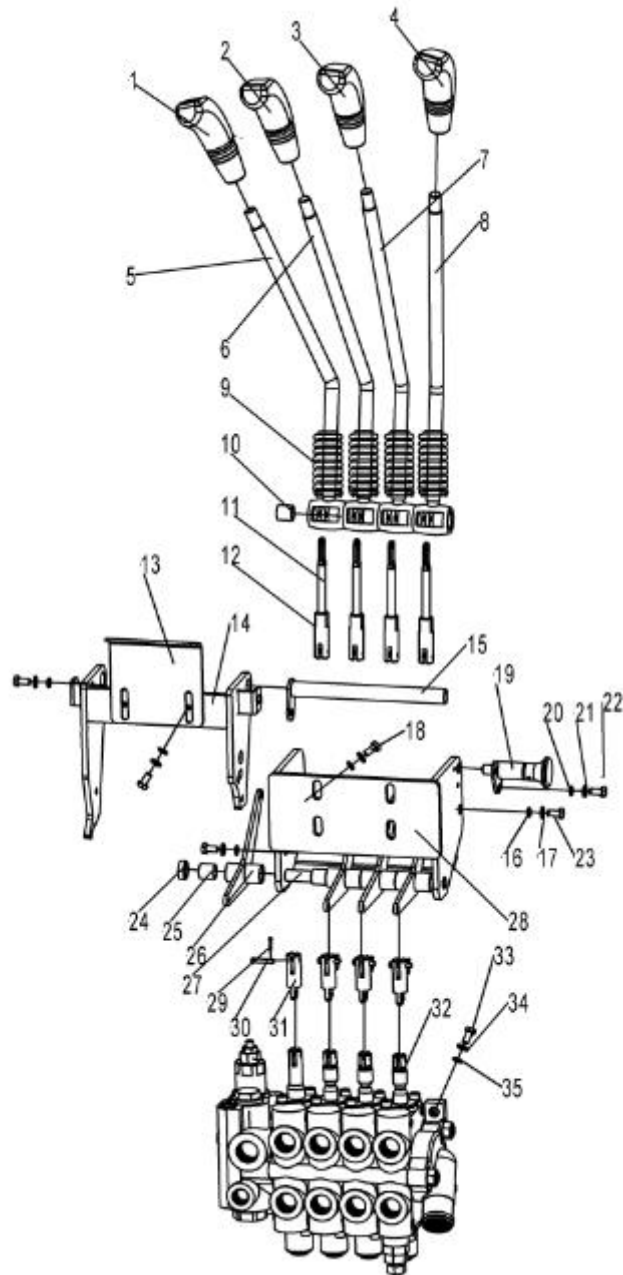


Figure 29

Figure29 Multiple directional control (four pieces)

NO	SN	Name	QTY	Remarks
31	256524521014	Joint 2	4	
32	256525510001	Multiple unit valve(three)	1	
33	910400100007	Flat washer	3	
34	910400500007	Spring washer gb93-10	3	
35	910100300036	Bolts gb5783-m10x25-8.8	3	

Figure30**Hydraulic system**

NO	SN	Name	QTY	Remarks
1	256523520001	Hydraulic pipe assembly (45°) 8-l630-1sc-60 °	1	
2	255023520005	Hydraulic pipe assembly (90°) 8-l1420-1sc-60 °	1	
3	900200401001	Oil return hose 23x5	1550	MM
4	911000600003	Hose hoops QC/T390 - (22-26),	4	
5	900200401001	Oil return hose 23x5	2310	MM
6	252028520021	Hydraulic pipe assembly (90°) 8-l3100-1sc-60 °	2	
7	910400500006	Spring washer gb93-8	2	
8	256523510001	Joint (six way) welding	1	
9	910200200059	Screw GB70.1 M8x30-8.8	2	
10	256523520004	Hydraulic pipe assembly (90°) 10-l480-1sc-60 °	2	
11	263043520068	Hydraulic pipe assembly (90°) 13-l1650-2sc-60 °	1	
12	256523520005	Hydraulic pipe assembly (90°) 13-l720-2sc-60 °	1	
13	911000600006	Hose hoops QC/T390 - (40-45)	6	
14	256523520014	Hose (oil return)	1	
15	256523520013	Hose 2(oil absorption)	1	
16	255023510008	Connector (lock bend) 11-m20x1.5-0	1	
17	255023510007	Connector (locking bend) 10-m20x1.5 - m16x1.5 -60°	3	
18	910800100019	O - inner 28x3.55	2	
19	255023510005	Joint (to bend) 25 - G1 - Φ 32	2	
20	255023520035	Connector (lock bend) 12-g1/2 - m22x1.5-60 °	1	
21	910800100004	O - inner 18x2.65	2	
22	910800100017	O - inner 23.6x3.55	1	
23	255023520030	Connector (straight) 12-2xm22x1.5-60 °	1	
24	255023520030	Connector (straight) 12-2xm22x1.5-60 °	1	
25	910800100015	O - inner 19x2.65	1	
26	256523520010	Connector (locking bend) 8-2xm16x1.5-60 °	1	
27	256523520002	Connector (lock bend)12- m27x1.5 - m22x1.5 -60°	1	
28	271544029005	Connector (straight) 10-m20x1.5 - m18x1.5 -60°	2	
29	910800100003	O - inner 17x2.65	2	
30	256523520015	Connector (straight) 12-3/4-16unf-m16x1.5-60 °	1	

Hydraulic system

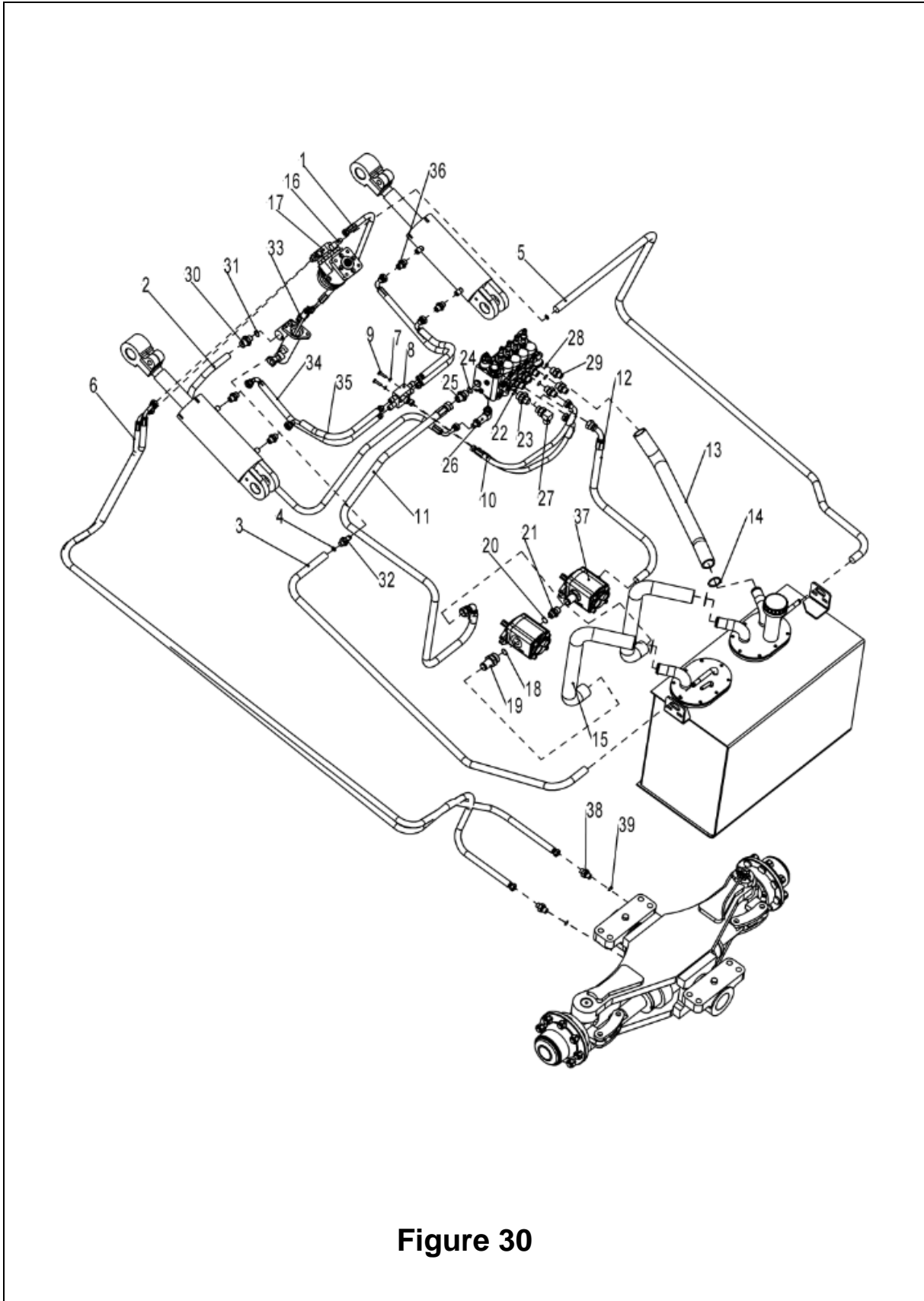


Figure 30

Figure30 hydraulic system

NO	SN	Name	QTY	Remarks
31	910800100097	O - inner 15x2.65	1	
32	256523520012	Connector (straight) 7-m16x1.5-0	1	
33	256523520016	Connector (straight) 8-5/8-18unf-m16x1.5-60 °	1	
34	256523520017	Hydraulic pipe assembly (90°) 10-I540-1sc-60 °	2	
35	256523520018	Hydraulic pipe assembly (90°) 10-I350-1sc-60 °	2	
36	256523520007	Connector (straight) 8-m18x1.5 - m16x1.5 -60°	4	
37	255023512006	Gear pump (polmke)	2	
38	255023520034	Connector (straight) 8-2xm16x1.5-60 °	2	
39	910800100002	O - inner 13.2x2.65	2	

Lifting pipe (standard mast)

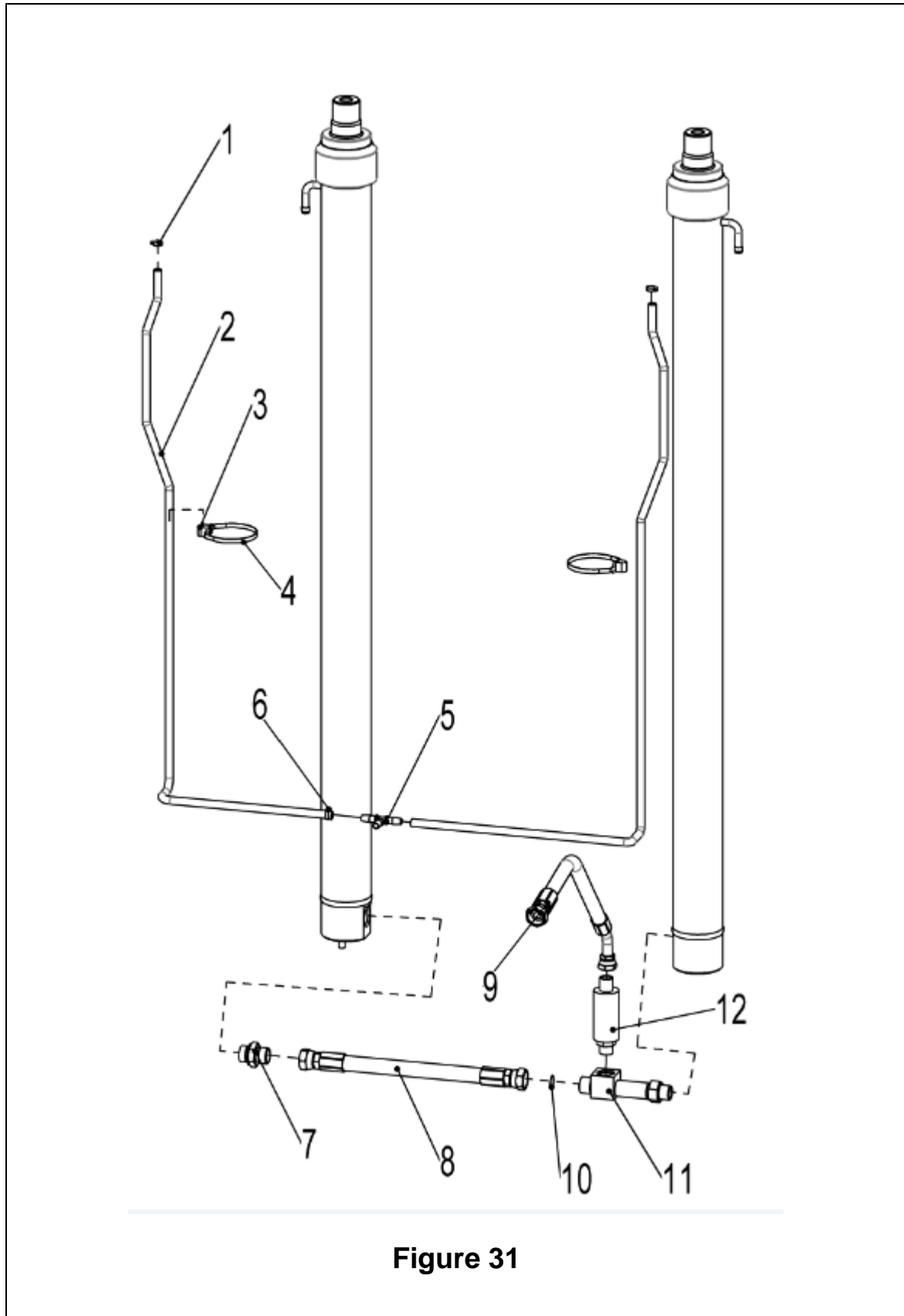


Figure 31

Figure31 **Lifting pipe (standard mast)**

NO	SN	Name	QTY	Remarks
1	255044020043	Clamp 13	4	
2	900200301004	PE hose Φ 10 x Φ 13	1	
3	921600400001	4 x250 tie	4	
4	255044020042	clamp	4	
5	255044020118	Connector (tee)	1	
6	921600400003	Strap (buckle) p-n156-00646	2	
7	256544029002	Joint M27x2 - M27x1. 5-60 °	1	
8	256544029004	Hydraulic pipe assembly (straight) 16-l380-2sc-60 °	1	
9	256544029005	Hydraulic pipe assembly (45°) 16-l2000-2sc-60 °	1	
10	910800100040	O - outer 24x2.4	1	
11	256544029003	Speed limit valve tee	1	
12	256544019001	The speed limit valve	1	

Lifting pipe (second full free mast)

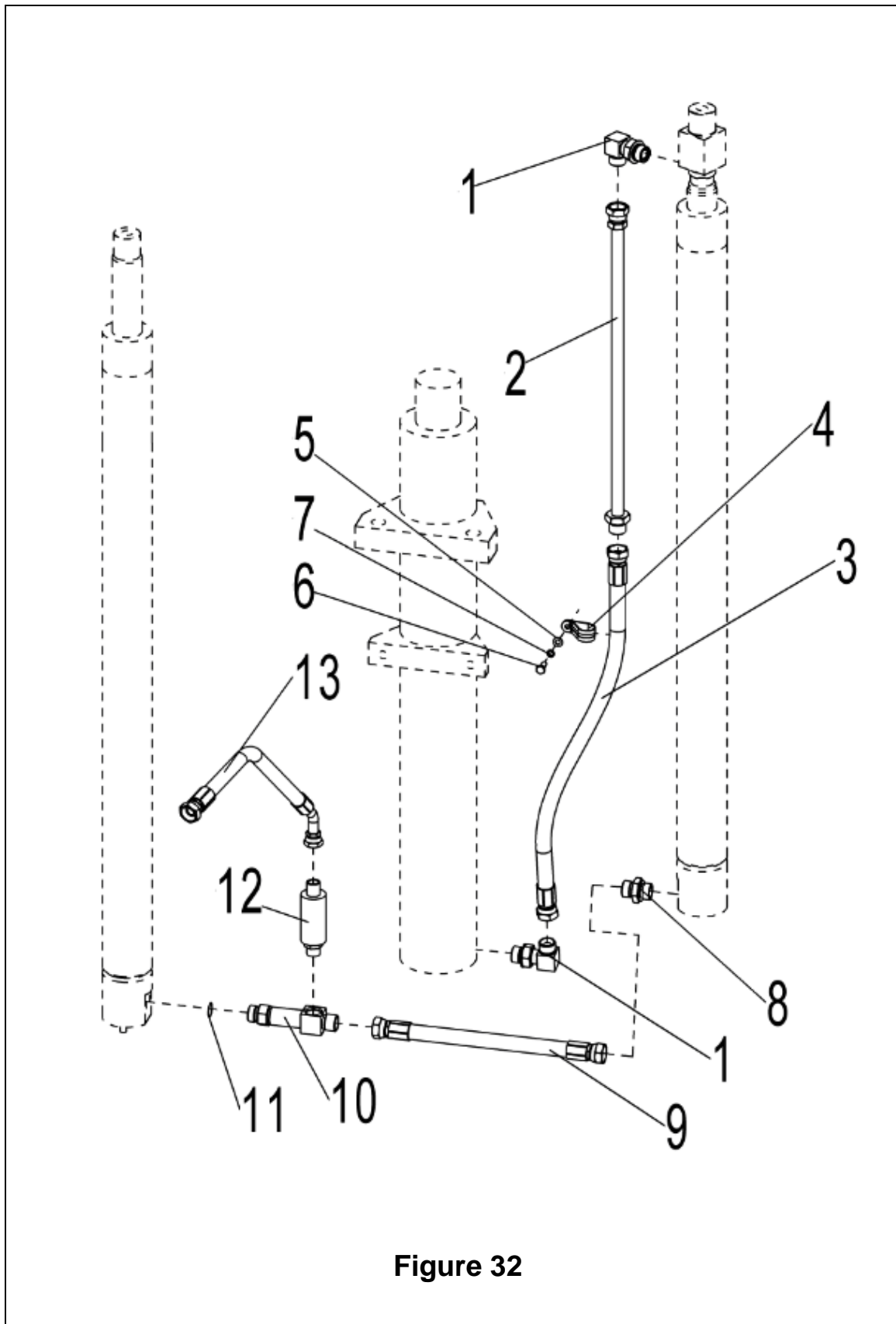


Figure 32

Figure32 Lifting pipe (second full free mast)

NO	SN	Name	QTY	Remarks
1	256544519003	Joint (lock bend) 15-m27x2-m27x1.5-60°	2	
2	256543519501	Steel tube welded l= 810	1	H=2500
	256543519502	Steel tube welded 930	1	H=2700/3000
	256543519503	Steel tube welded l=1310	1	H=3300
	256543519504	Steel tube welded l= 1450	1	H=3500/3600
	256543519505	Steel tube welded l= 1560	1	H=4000
	256543519506	steel tube welded l= 1860	1	H=4500/4700
	256543519507	Steel tube welded l= 2080	1	H=5000
	256543519508	Steel tube welded l=2640	1	H=6000
3	256543529701	Hydraulic tube assembly (straight)	1	H=2500/4500
	256543529701	Hydraulic tube assembly (straight)	1	H=5000/6000
	256543529702	Hydraulic tube assembly (direct)	1	H=2700/3000
	256543529702	Hydraulic tube assembly (direct)	1	H=4000/4700
	256543529703	Hydraulic tube assembly (direct)	1	H=3300/3600
	256543529704	Hydraulic tube assembly (direct)	1	H=3500
	256543529705	Hydraulic tube assembly (direct)	1	H=3700
4	951000100004	Tube holder yge bag	1	
5	910400100006	Flat washer	1	
6	910100300023	Bolts gb5783-m8x25-8.8	1	
7	910400500006	Spring washer	1	
8	256544029002	M27x2-M27x1.5-60°	1	
9	256544029004	Hydraulic tube assembly (direct)	1	
10	256544029003	Speed limit tee	1	
11	910800100040	O ring - 24x2.4	1	
12	256544019001	Speed limiting valve	1	
13	256544029005	The hydraulic tube assembly (45c) 16-60°	1	

Lifting pipe (three full free mast)

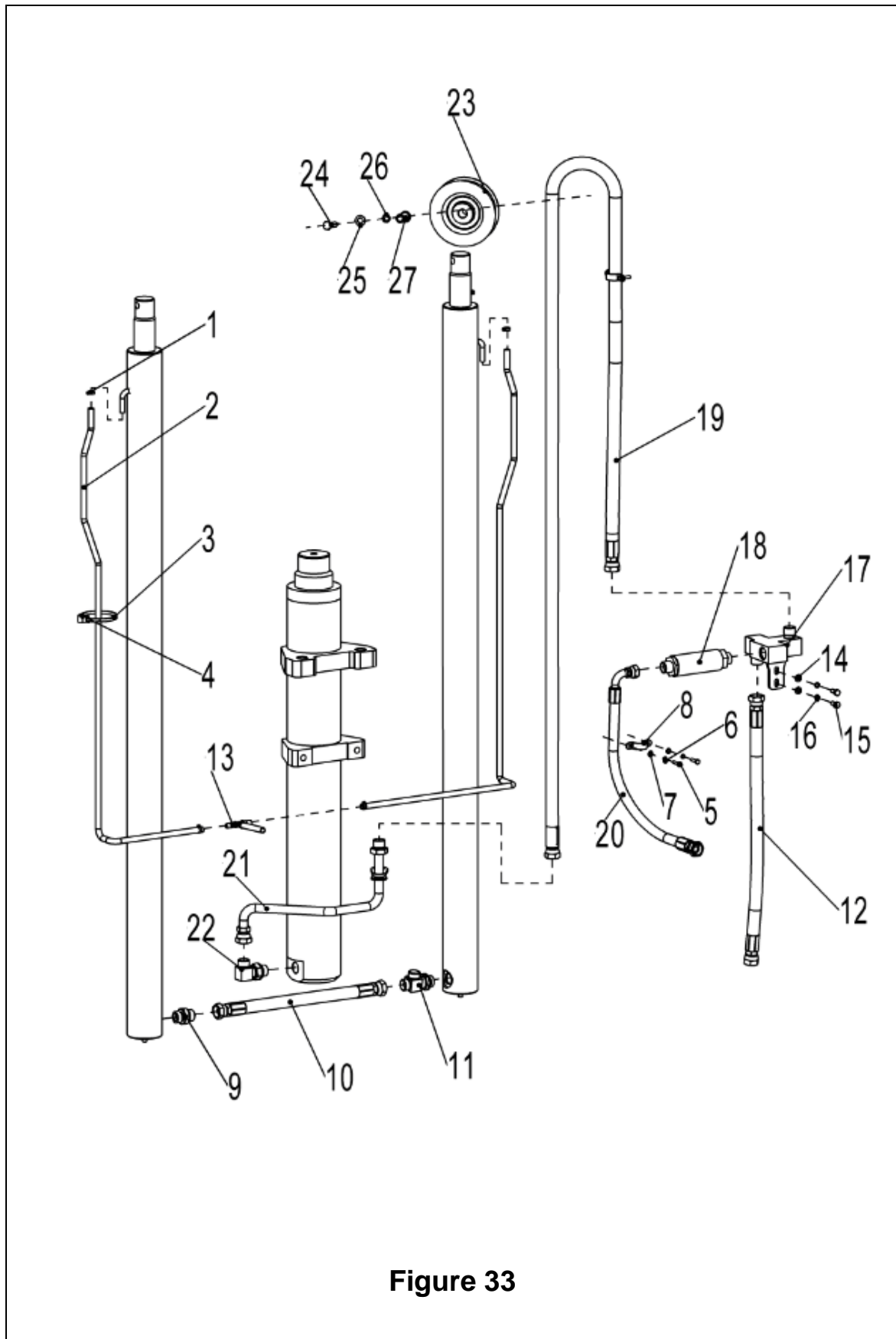


Figure 33

Figure33 Lifting pipe (three full free mast)

NO	SN	Name	QTY	Remarks
1	255044020043	Clamp 13	4	
2	900200301004	Hose 13 x1.5 / PE	1	
3	921600400001	4 x250 tie	4	
4	255044020042	clamp	4	
5	910100300012	Bolt GB5783 M6x25-8.8	4	
6	910400500005	Spring washer gb93-6	4	
7	910400100005	Flat washer GB97.1-6-200 hv	4	
8	951000100003	Pipe clip YGE coating 15	2	
9	256544029002	Joint M27x2 - M27x1.5-60 °	1	
10	256544529002	Hydraulic pipe assembly (straight) 16-l450-2sc-60 °	1	
11	256544529001	Tee joint	1	
12	256544529003	Hydraulic pipe assembly (straight) 16-l670-2sc-60 °	1	
13	255044020118	Connector (tee)	1	
14	910400100006	The flat washer GB97.1-8-200 hv	2	
15	910100300023	Bolt GB5783 M8x25-8.8	2	
16	910400500006	Spring washer gb93-8	2	
17	256544519001	Three-way valve assembly	1	
18	256544019001	The speed limit valve	1	
19	256544519501	Hydraulic pipe assembly (straight) 16-l2360-2sc-60 °	1	H=3700
	256544519502	Hydraulic pipe assembly (straight) 16-l2560-2sc-60 °	1	H=4000
	256544519503	Hydraulic pipe assembly (straight) 16-l2800-2sc-60 °	1	H=4350
	256544519504	Hydraulic pipe assembly (straight) 16-l2890-2sc-60 °	1	H=4500
	256544519505	Hydraulic pipe assembly (straight) 16-l3100-2sc-60 °	1	H=4800
	256544519506	Hydraulic pipe assembly (straight) 16-l3220-2sc-60 °	1	H=5000
	256544519507	Hydraulic pipe assembly (straight) 16-l3550-2sc-60 °	1	H=5500
	256544519508	Hydraulic pipe assembly (straight) 16-l4100-2sc-60 °	1	H=6000
20	256544029005	Hydraulic pipe assembly (45°) 16-l1800-2sc-60 °	1	
21	256544519002	Steel pipe assembly (main)	1	

Figure33 Lifting pipe (three full free mast)

NO	SN	Name	QTY	Remarks
22	256544519003	Connector (locking bend) 15-m27x2-m27x1.5-60 °	1	
23	256544529004	Pulley Φ x38 145 (single slot)	1	
24	910100300054	Bolt GB5783 M12x50-8.8	1	
25	910400100008	The flat washer GB97.1-12-200 hv	1	
26	910400500008	Spring washer gb93-12	1	
27	254130520016	Bushing Φ Φ x43 13 x 20	1	

Installation of side shifter and pipeline (standard mast)

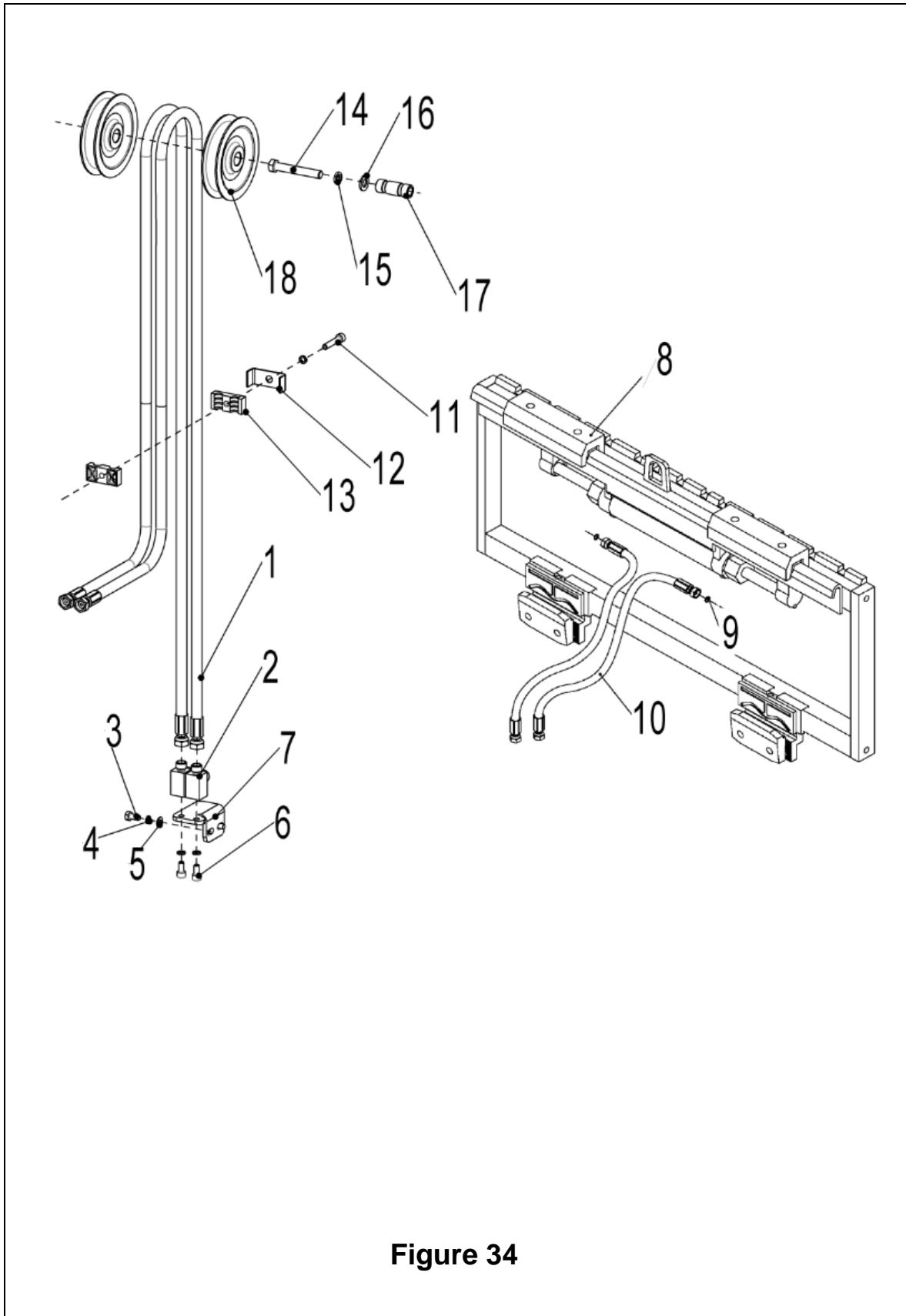


Figure 34

Figure34 Installation of side shifter and pipeline (standard mast)

NO	SN	Name	QTY	Remarks
1	255031020014	Hydraulic pipe assembly 8-L3650-1sc-60 °	2	H=2500
	255028520061	Hydraulic pipe assembly 8-L3920-1sc-60 °	2	H=2700
	281227511002	Hydraulic pipe assembly 8-L4200-1sc-60 °	2	H=3000
	281227511004	Hydraulic tube assembly 8-L4500-1sc-60 °	2	H=3300
	275227511002	Hydraulic pipe assembly 8-L4700-1sc-60 °	2	H=3500
	255028520063	Hydraulic pipe assembly 8-L4820-1sc-60 °	2	H=3600
	281227511005	Hydraulic pipe assembly 8-L490-1sc-60 °	2	H=3700
	275228011002	Hydraulic pipe assembly 8-L5300-1sc-60 °	2	H=4000
	256028020007	Hydraulic pipe assembly 8-L5800-1sc-60 °	2	H=4500
	275228011003	Hydraulic pipe assembly 8-L6000-1SC-60°	2	H=4700
	256527520701	Hydraulic pipe assembly 8-L6300-1sc-60 °	2	H=5000
	256527520702	Hydraulic pipe assembly 8-L7400-1sc-60 °	2	H=6000
2	255029020024	Connector (locking bend) 8-2xm16x1.5-60 °	2	
3	910100300020	Bolt GB5783 M8x16-8.8	2	
4	910400500006	Spring washer gb93-8	6	
5	910400100006	The flat washer GB97.1-8-200 hv	4	
6	910200200055	Screw GB70.1 M8x16-8.8	2	
7	256527520001	Bracket (right)	1	
8	272042510001	Side shifter assembly (linkage)	1	
9	910800100001	O-ring - inside 9.5x1.8	2	
10	251042520001	Hydraulic pipe assembly (90°) 6-l400-1sc-60 °	2	
11	910200200062	Screw GB70.1 M8x45-8.8	2	
12	255028520035	Mounting plate (pipe clamp)	2	
13	255028520034	Hose fixing block	4	
14	910100100054	Bolt GB5782 M12x80-8.8	2	
15	910400500008	Spring washer gb93-12	2	
16	910400100008	The flat washer GB97.1-12-200 hv	2	
17	255030520022	Bushing Φ Φ x56 13 x 20	1	
18	255030520021	Pulley Φ x27 110 (single slot)	2	

Installation of side shifter and pipeline (second full free mast)

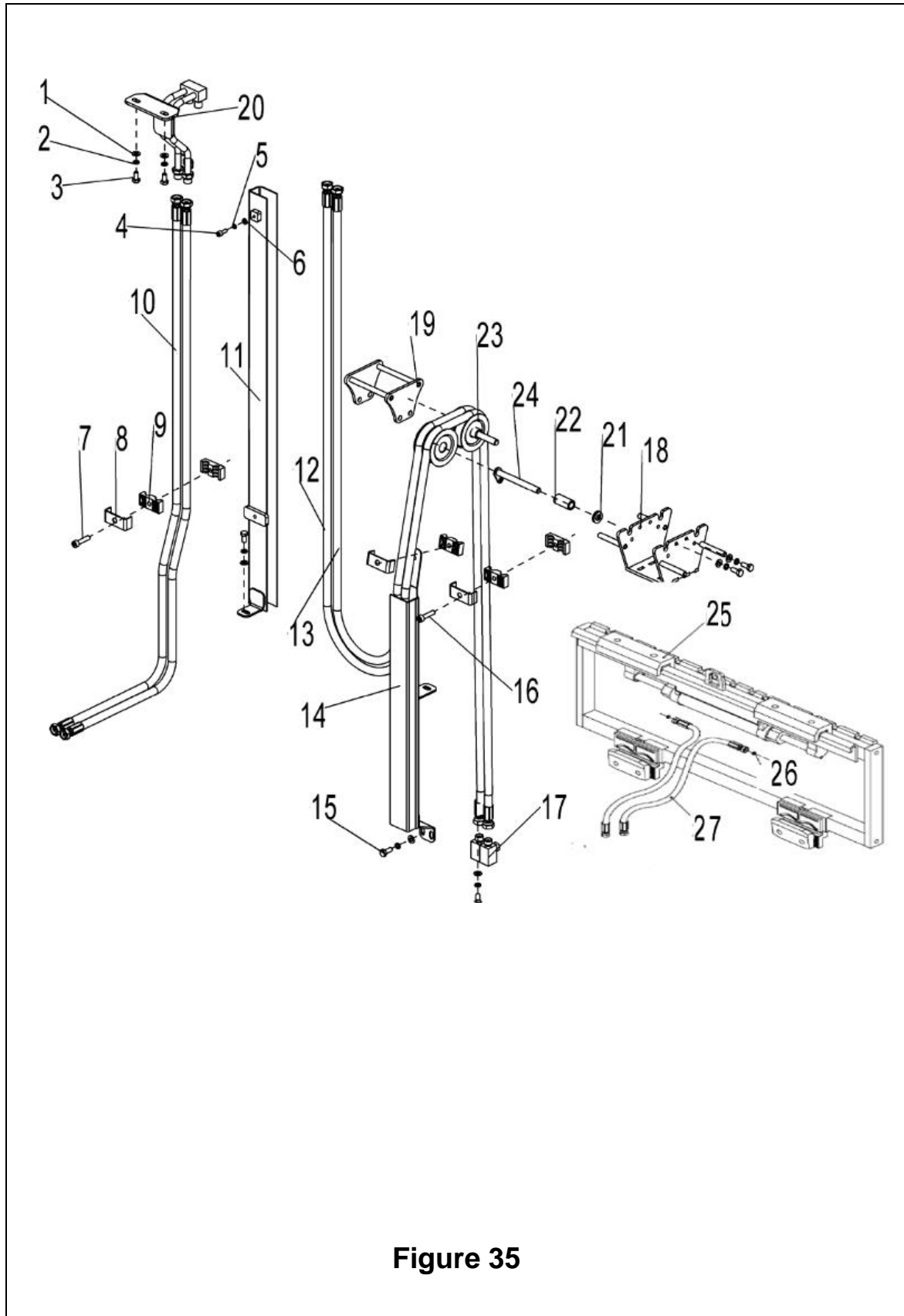


Figure 35

Figure35 Installation of side shifter and pipeline (second full free mast)

NO	SN	Name	QTY	Remarks
1	910100300020	Bolt GB5783 M8x16-8.8	3	
2	910400500006	Spring washer gb93-8	11	
3	910400100005	Flat washer GB97.1-6-200 hv	10	
4	910200200035	Screw GB70.1 M6x16-8.8	2	
5	910400500005	Spring washer gb93-6	2	
6	910400100005	Flat washer GB97.1-6-200 hv	2	
7	910200200060	Screw GB70.1 M8x35-8.8	2	
8	255028520035	Mounting plate (pipe clamp)	2	
9	255028520034	Hose fixing block	3	
10	255028520019	Hydraulic pipe assembly 8-l2570-1sc-60 °	2	H=2500
	254128520052	Hydraulic tube assembly 8-l2650-1sc-60 °	2	H=2700
	255028520020	Hydraulic pipe assembly 8-l2820-1sc-60 °	2	H=3000
	254131020007	Hydraulic pipe assembly 8-l2950-1sc-60 °	2	H=3300
	275230529011	Hydraulic pipe assembly 8-l3080-1sc-60 °	2	H=3500
	254130520002	Hydraulic pipe assembly 8-l3110-1sc-60 °	2	H=3600
	254128520037	Hydraulic pipe assembly 8-l3150-1sc-60 °	2	H=3700
	255030520006	Hydraulic pipe assembly 8-l3370-1sc-60 °	2	H=4000
11	256528510901	External guide groove welding L=900	1	H=2500
	256528510902	External guide groove welding L=1000	1	H=2700
	256528510903	External guide groove welding L=1150	1	H=3000
	256528510904	External guide groove welding L=1300	1	H=3300
	256528510905	External guide groove welding L=1400	1	H=3500
	256528510906	External guide groove welding L=1450	1	H=3600
	256528510907	External guide groove welding L=1500	1	H=3700
	256528510908	External guide groove welding L=1700	1	H=4000
12	254131020006	Hydraulic tube assembly 8-l2750-1sc-60 °	1	H=2500
	255030520005	Hydraulic pipe assembly 8-l2900-1sc-60 °	1	H=2700
	254128520037	Hydraulic pipe assembly 8-l3150-1sc-60 °	1	H=3000
	255030520006	Hydraulic pipe assembly 8-l3370-1sc-60 °	1	H=3300
	254130520003	Hydraulic pipe assembly 8-l3510-1sc-60 °	1	H=3500
	255028520059	Hydraulic pipe assembly 8-L3600-1SC-60°	1	H=3600

Installation of side shifter and pipeline (second full free mast)

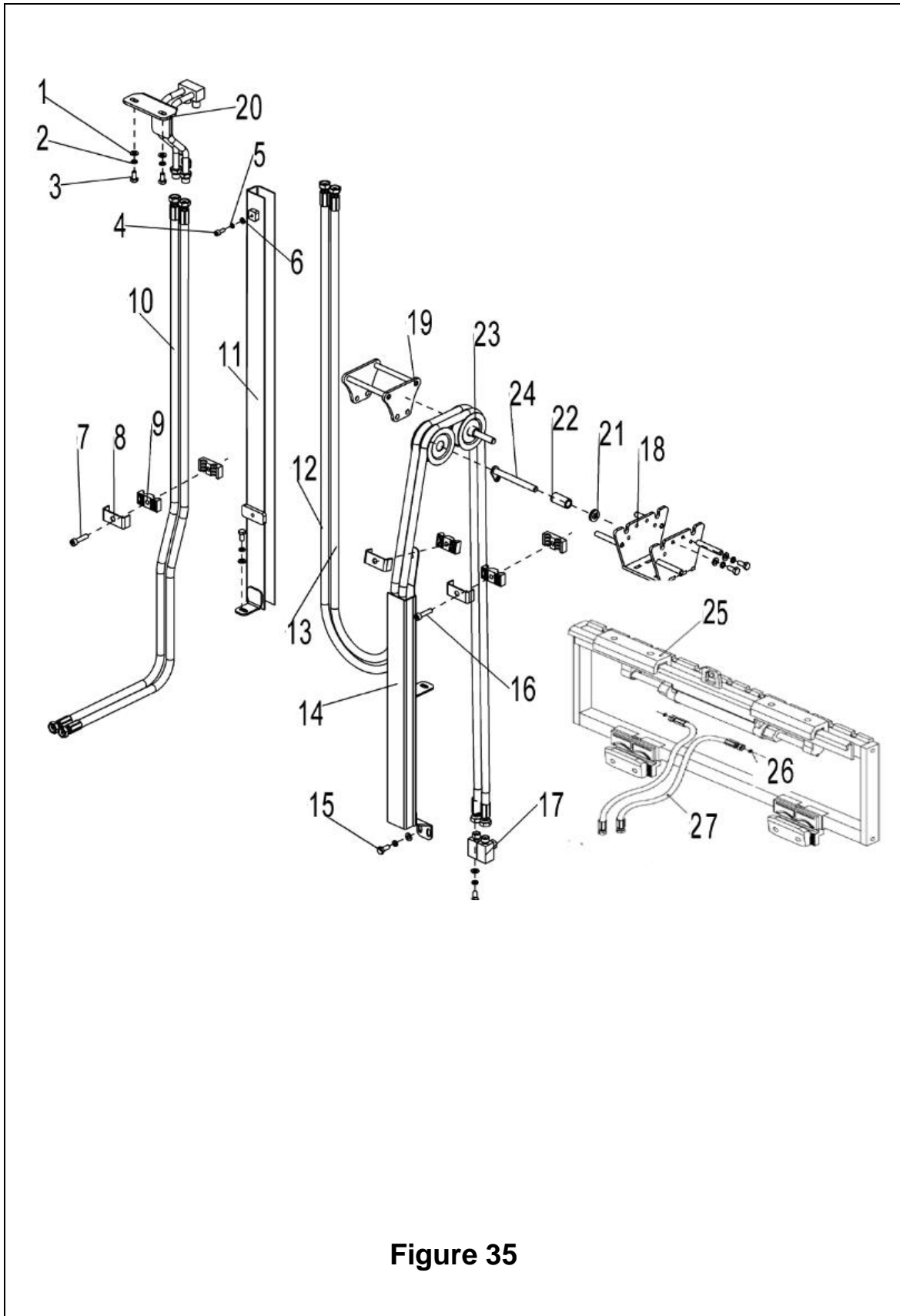


Figure 35

Figure35 Installation of side shifter and pipeline (second full free mast)

NO	SN	Name	QTY	Remarks
12	256528525710	Hydraulic pipe assembly 8-l3660-1sc-60 °	1	H=3700
	255028520061	Hydraulic pipe assembly 8-l3920-1sc-60 °	1	H=4000
13	253528520012	Hydraulic pipe assembly 8-l2680-1sc-60 °	1	H=2500
	255028520020	Hydraulic pipe assembly 8-l2820-1sc-60 °	1	H=2700
	275231029010	Hydraulic pipe assembly 8-l3040-1sc-60 °	1	H=3000
	256528525701	Hydraulic pipe assembly 8-l3280-1sc-60 °	1	H=3300
	256528525702	Hydraulic pipe assembly 8-l3430-1sc-60 °	1	H=3500
	254128520040	Hydraulic tube assembly 8-l3500-1sc-60 °	1	H=3600
	256528525703	Hydraulic pipe assembly 8-l3580-1sc-60 °	1	H=3700
	254131020010	Hydraulic pipe assembly 8-l3850-1sc-60 °	1	H=4000
14	256528510701	Inner guide groove welding L=655	1	H=2500
	256528510702	Inner guide groove welding L=705	1	H=2700
	256528510703	Inner guide groove welding L=780	1	H=3000
	256528510704	Inner guide groove welding L=855	1	H=3300
	256528510705	Inner guide groove welding L=905	1	H=3500
	256528510706	Inner guide groove welding L=930	1	H=3600
	256528510707	Inner guide groove welding L=955	1	H=3700
	256528510708	Inner guide groove welding L=1030	1	H=4000
15	910100300022	Bolt GB5783 M8x20-8.8	4	
16	910200200062	Screw GB70.1 M8x45-8.8	2	
17	255029020024	Connector (locking bend) 8-2xm16x1.5-60 °	2	
18	256530510005	Protective cover (triple)	1	
19	256530510003	Rubber hose support (base)	1	
20	256528510001	Transition steel tube complement	1	
21	256531020005	The gasket	4	
22	271527521004	Bushing Φ Φ 13 x 20 x41. 5	2	
23	271527521003	Pulley Φ x46 74 (dual slot)	2	
24	256530510004	Pin Φ 10 x65	2	
25	272042510001	Side shifter assembly (linkage)	1	
26	910800100001	O-ring - inside 9.5x1.8	2	
27	251042520001	Hydraulic pipe assembly (90°) 6-l400-1sc-60 °	2	

Installation of side shifter and pipeline (three full free mast)

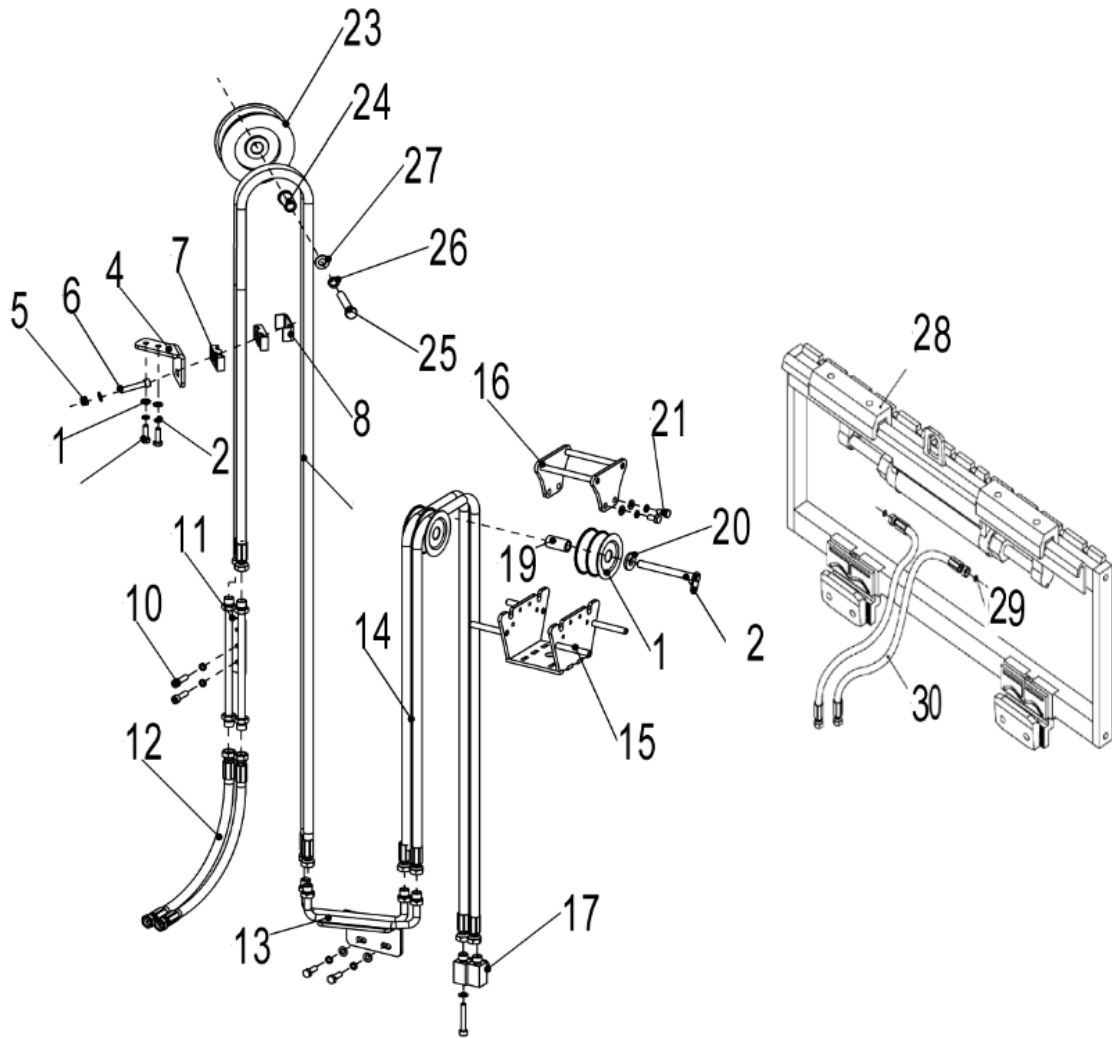


Figure 36

Figure36 Installation of side shifter and pipeline (three full free mast)

NO	SN	Name	QTY	Remarks
1	910400500006	Spring washer gb93-8	16	
2	910400100006	The flat washer GB97.1-8-200 hv	8	
3	910100300023	Bolt GB5783 M8x25-8.8	4	
4	256530520001	Bracket (triple)	1	
5	910300500004	Nut GB889.1 M8-10	2	
6	910200200062	Screw GB70.1 M8x45-8.8	6	
7	255028520035	Mounting plate (pipe clamp)	2	
8	255028520034	Hose fixing block	4	
9	255030520003	Hydraulic pipe assembly8-l2410-1sc-60 °	2	H=3700
	255031020010	Hydraulic pipe assembly8-l2590-1sc-60 °	2	H=4000
	255028520020	Hydraulic pipe assembly8-l2820-1sc-60 °	2	H=4350
	255030520005	Hydraulic pipe assembly8-l2900-1sc-60 °	2	H=4500
	256530520701	Hydraulic pipe assembly8-l3100-1sc-60 °	2	H=4800
	256530520702	Hydraulic pipe assembly8-l3220-1sc-60 °	2	H=5000
	256530520703	Hydraulic pipe assembly8-l3540-1sc-60 °	2	H=5500
	256530520704	Hydraulic pipe assembly8-l4070-1sc-60 °	2	H=6000
10	255030520018	Hydraulic steel pipe welding 1	1	
11	910200200058	Screw GB70.1 M8x25-8.8	2	
12	255023520036	Hydraulic pipe assembly8-l1800-1sc-60 °	2	
13	256530510001	Steel pipe assembly (triple)	1	
14	255028520016	Hydraulic pipe assembly8-l1930-1sc-60 °	1	H=3700
	254130520006	Hydraulic pipe assembly8-l2020-1sc-60 °	1	H=4000
	254130520007	Hydraulic pipe assembly8-l2120-1sc-60 °	1	H=4350
	254130520710	Hydraulic pipe assembly8-l2180-1sc-60 °	1	H=4500
	255028520018	Hydraulic pipe assembly8-l2270-1sc-60 °	1	H=4800
	255031020009	Hydraulic pipe assembly8-l2340-1sc-60 °	1	H=5000
	254130520711	Hydraulic pipe assembly8-l2500-1sc-60 °	1	H=5500
	254128520052	Hydraulic tube assembly8-l2650-1sc-60 °	1	H=6000

Installation of side shifter and pipeline (three full free mast)

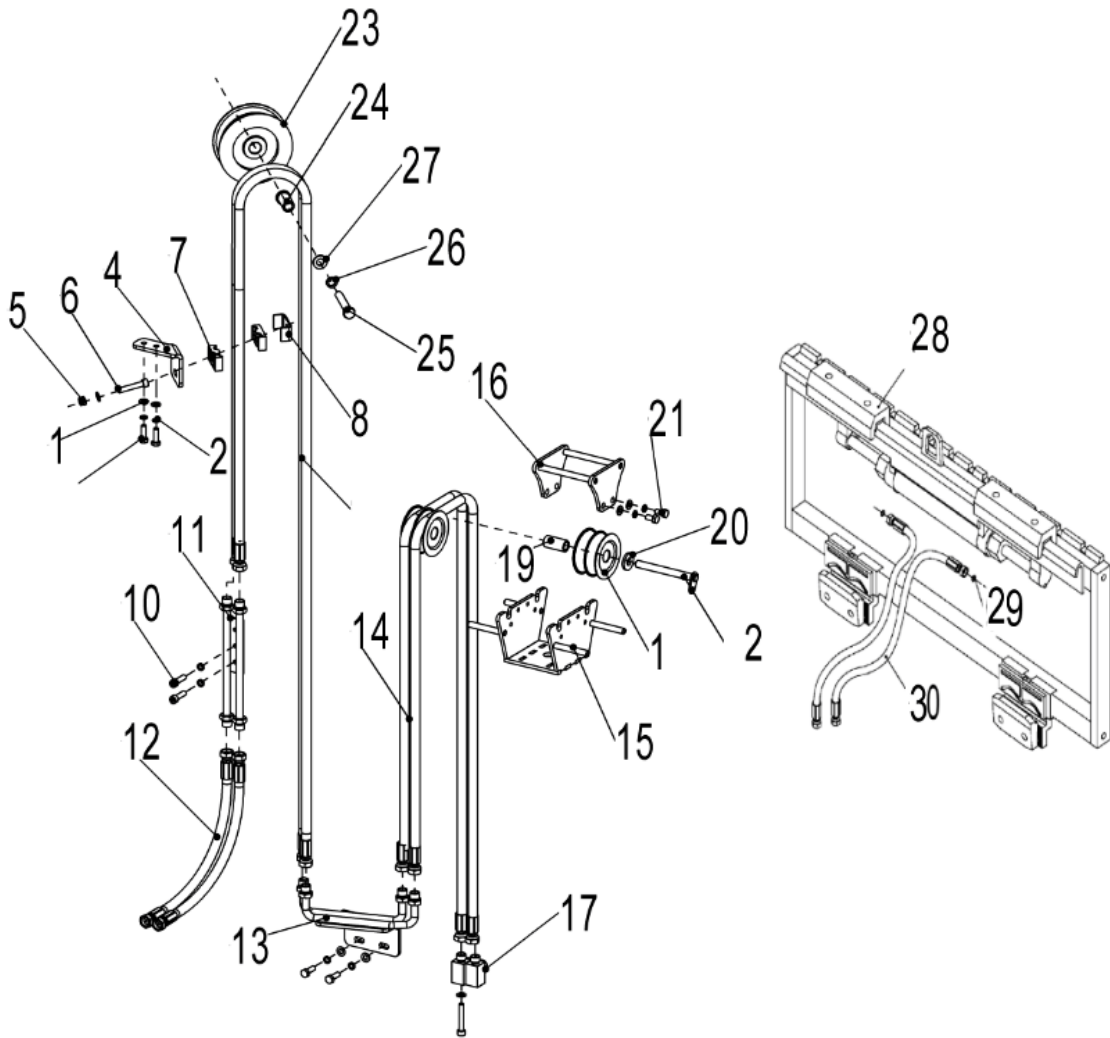


Figure 36

Figure36 Installation of side shifter and pipeline (three full free mast)

NO	SN	Name	QTY	Remarks
15	256530510005	Protective cover (triple)	1	
16	256530510003	Rubber hose support (base)	1	
17	255029020024	Connector (locking bend) 8-2xm16x1.5-60 °	2	
18	271527521003	Pulley Φ x46 74 (dual slot)	4	
19	271527521004	Bushing Φ Φ 13 x 20 x41. 5	4	
20	256531020005	The gasket	4	
21	910100300020	Bolt GB5783 M8x16-8.8	6	
22	256530510004	Pin Φ 10 x65	2	
23	255030520020	Pulley Φ x42 120 (dual slot)	1	
24	254130520016	Bushing Φ Φ x43 13 x 20	2	
25	910100100054	Bolt GB5782 M12x80-8.8	2	
26	910400500008	Spring washer gb93-12	2	
27	910400100008	The flat washer GB97.1-12-200 hv	2	
28	272042510001	Side shifter assembly (linkage)	1	
29	910800100001	O-ring - inside 9.5x1.8	2	
30	251042520001	Hydraulic pipe assembly (90°) 6-l400-1sc-60 °	2	

Fork

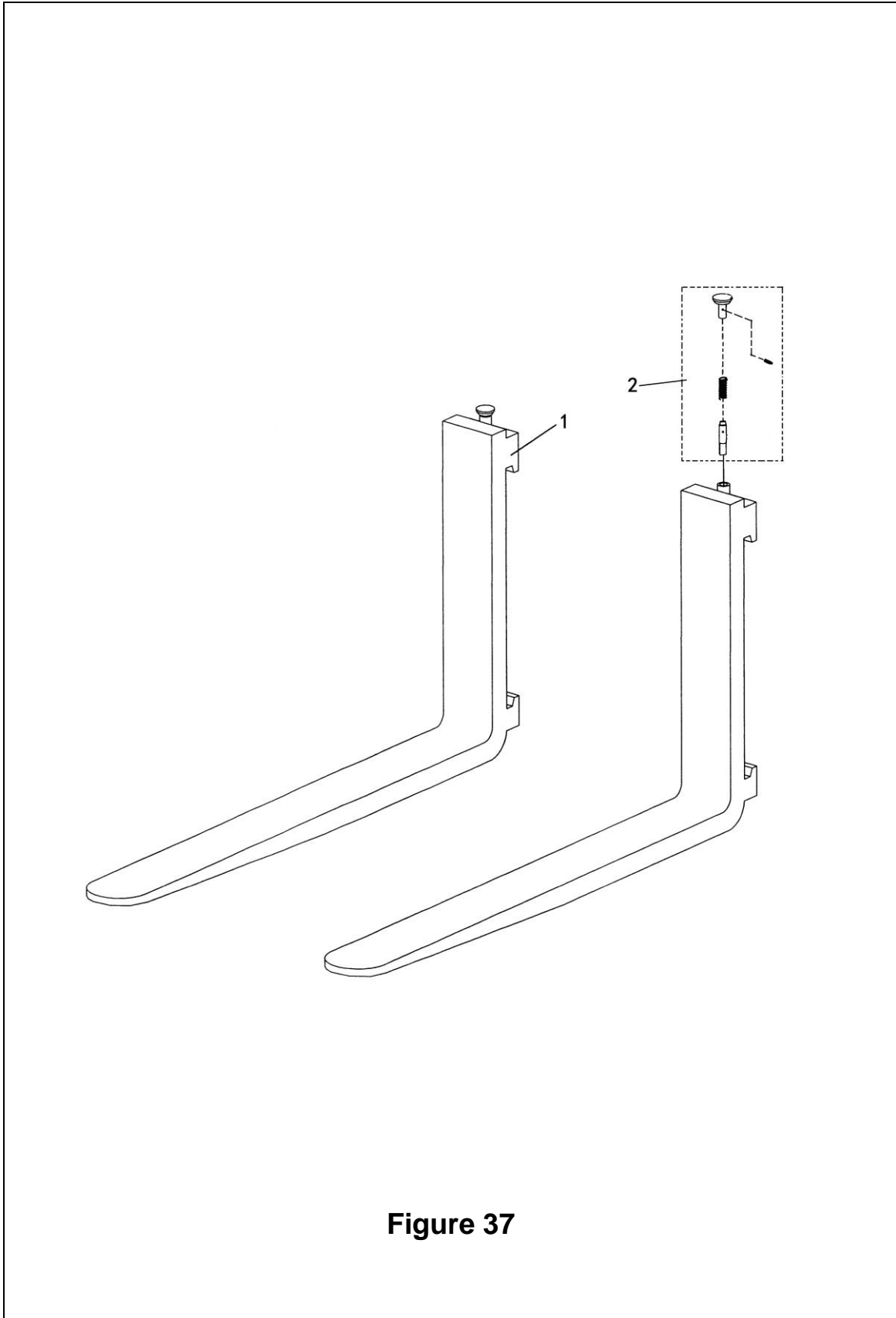


Figure 37

Figure37**Fork**

NO	SN	Name	QTY	Remarks
A	940100100023	Peg 150 x50x1070 III type A pallet fork	2	include1-2
	940100100024	Peg 150 x50x1150 III type A pallet fork	2	
	940100100025	Peg 150 x50x1220 II type A pallet fork	2	
	940100100026	Peg 150 x50x1370 II type A pallet fork	2	
	940100100027	Peg 150 x50x1520 II type A pallet fork	2	
1	▲	The pallet fork body	2	
2	253098514101	Lift pin assembly	2	

Fork arm carrier (standard mast)

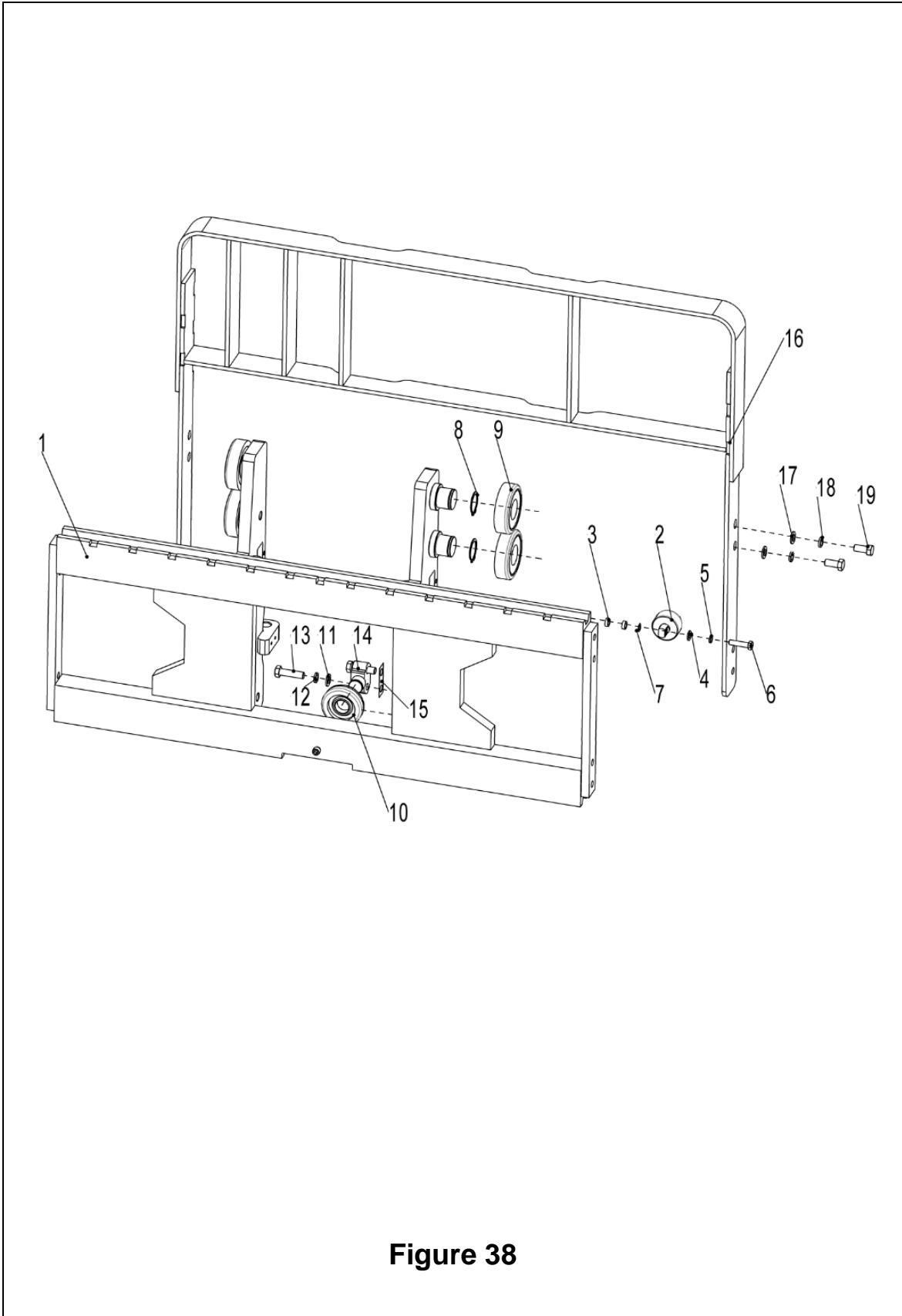


Figure 38

Figure38 Fork arm carrier (standard mast)

NO	SN	Name	QTY	Remarks
1	256538011001	Welding of cargo racks (level 2)	1	
2	940200200001	Side roller Φ 67 - CD = 65	2	
3	256544020701	Gasket Φ Φ 13 x 20 x0. 5	4	
4	910400500008	Spring washer gb93-12	4	
5	910400100008	The flat washer GB97.1-12-200 hv	4	
6	910100300052	Bolt GB5783 M12x40-8.8	4	
7	256544020003	Gasket Φ Φ 13 x 20 x7	8	
8	910401300024	Elastic retaining ring GB894.1-50 for shaft	6	
9	940200100036	The main roller Φ 123.5 x Φ x34 50	4	
10	940200100002	Main roller Φ 102 x 35 x25 Φ . 5	2	
11	910400100010	The flat washer GB97.1-16-200 hv	4	
12	910400500010	Spring washer gb93-16	4	
13	910100100072	Bolt GB5782 M16x60-8.8	4	
14	263044020040	Side of the roller shaft Φ 35 x51	2	
15	256538020701	Gasket Φ 80 x 30 x0 Φ . 5	2	
16	256540511001	Retaining shelf welding (1380x1130)	1	
17	910400100008	The flat washer GB97.1-12-200 hv	4	
18	910400500008	Spring washer gb93-12	4	
19	910100300050	Bolt GB5783 M12x30-8.8	4	

Fork arm carrier (second full free mast)

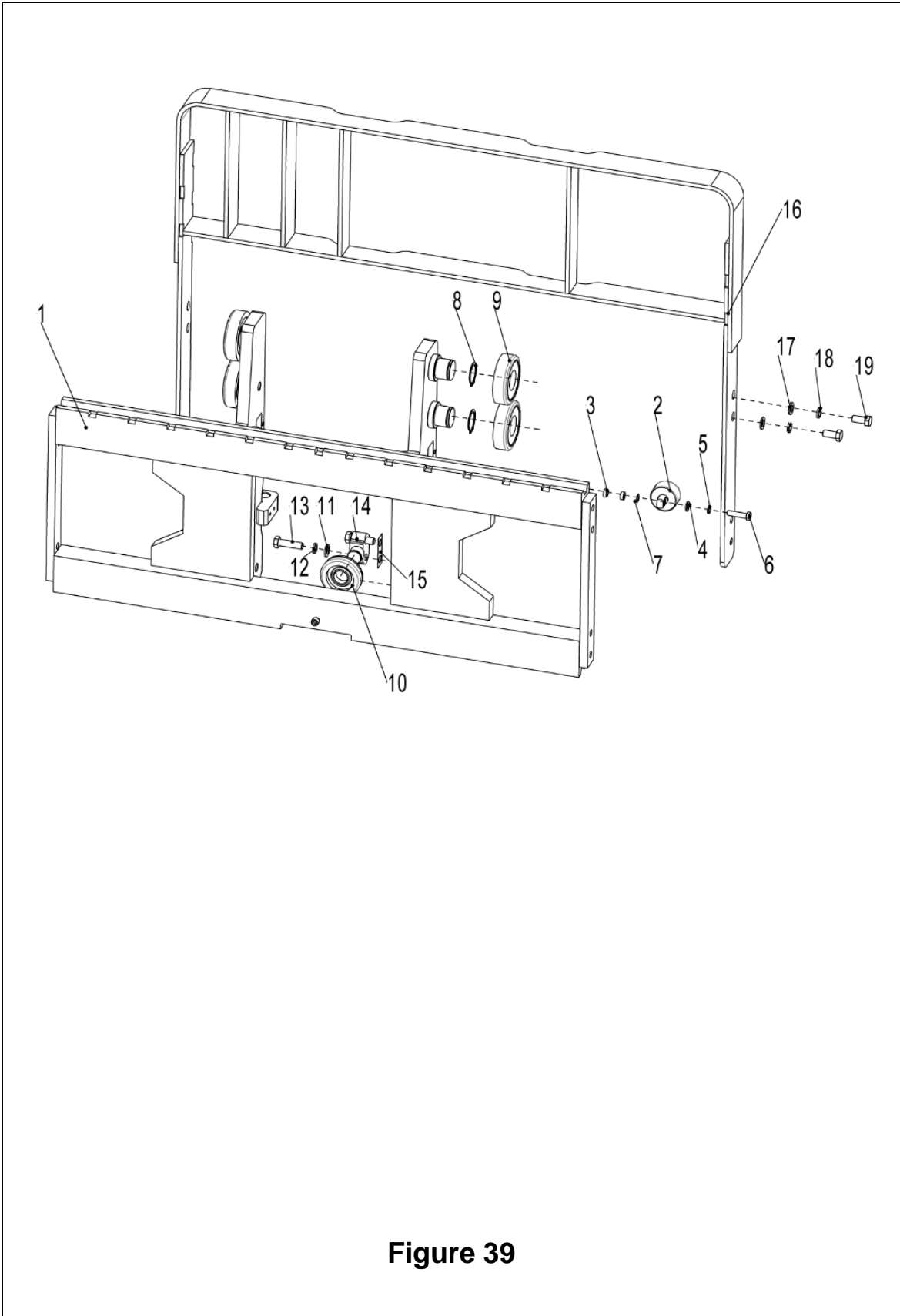


Figure 39

Figure39 Fork arm carrier (second full free mast)

NO	SN	Name	QTY	Remarks
1	256538012001	Welding of cargo fork rack	1	
2	940200200001	Side roller Φ 67 - CD = 65	2	
3	256544020701	Gasket Φ Φ 13 x 20 x0.5	4	
4	910400500008	Spring washer gb93-12	4	
5	910400100008	The flat washer GB97.1-12-200 hv	4	
6	910100300052	Bolt GB5783 M12x40-8.8	4	
7	256544020003	Gasket Φ 13 x 20 x7	8	
8	910401300024	Elastic retaining ring gb894.1-50 for shaft	6	
9	940200100036	The main roller Φ 123.5 x 50 x34	4	
10	940200100002	Main roller Φ 102 x 35 x25 Φ . 5	2	
11	910400100010	The flat washer GB97.1-16-200 hv	4	
12	910400500010	Spring washer gb93-16	4	
13	910100100072	Bolt GB5782 M16x60-8.8	4	
14	263044020040	Side of the roller shaft Φ 35 x51	2	
15	256538020701	Gasket Φ 80 x 30 x0 Φ . 5	2	
16	256540511001	Retaining shelf welding (1380x1130)	1	
17	910400100008	The flat washer GB97.1-12-200 hv	4	
18	910400500008	Spring washer gb93-12	4	
19	910100300050	Bolt GB5783 M12x30-8.8	4	

Fork arm carrier (three full free mast)

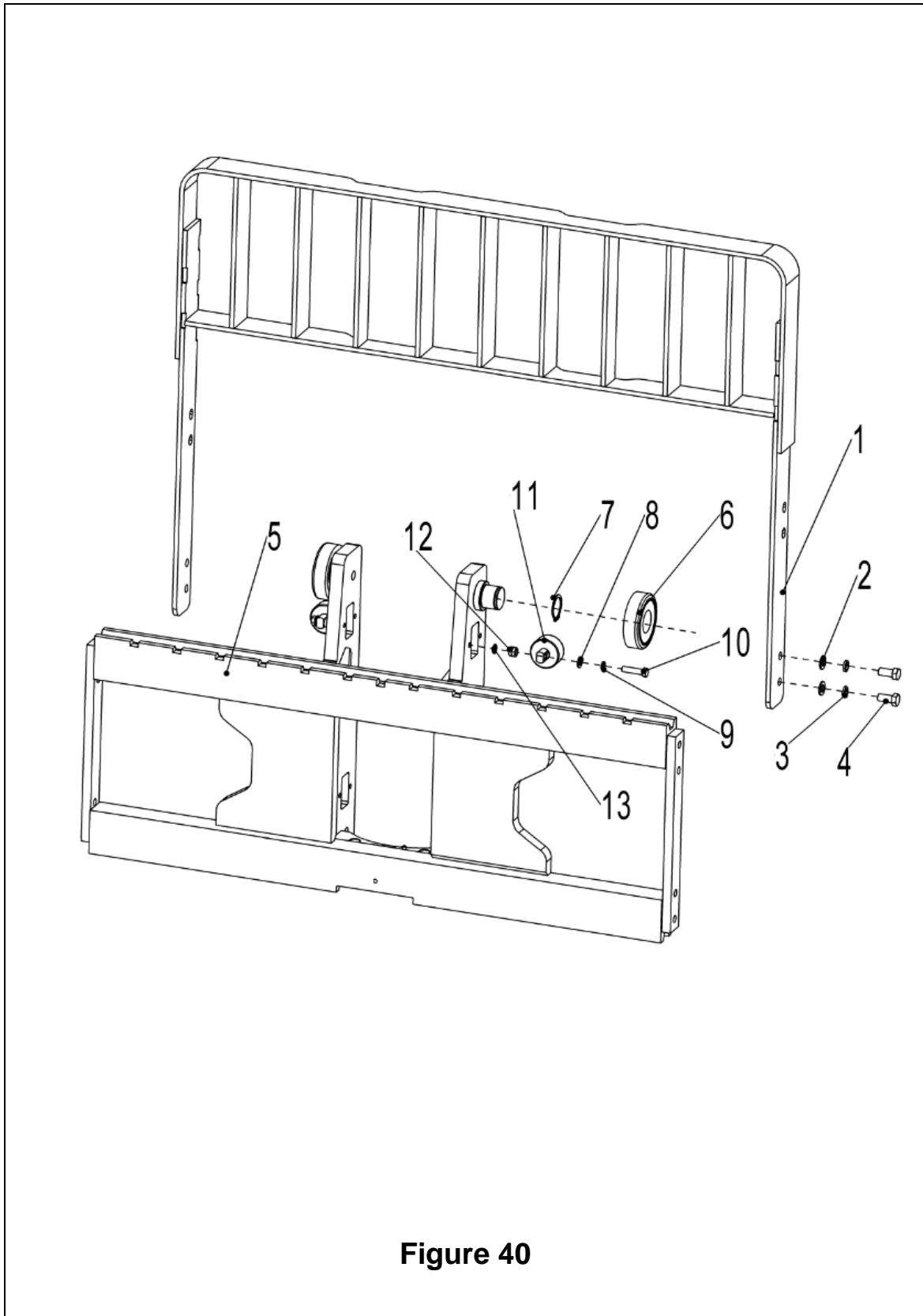


Figure 40

Figure40 Fork arm carrier (three full free mast)

NO	SN	Name	QTY	Remarks
1	256540511001	Retaining shelf welding (1380x1130)	1	
2	910400100008	The flat washer GB97.1-12-200 hv	4	
3	910400500008	Spring washer gb93-12	4	
4	910100300050	Bolt GB5783 M12x30-8.8	4	
5	256538013001	Cargo fork body welding	1	
6	940200100024	The main roller Ø 111 x Ø 55 x32	4	
	940200100025	The main roller Ø 111.5 x Ø 55 x32	4	
7	910401300024	Elastic retaining ring gb894.1-50 for shaft	4	
8	910400500008	Spring washer gb93-12	8	
9	910400100008	The flat washer GB97.1-12-200 hv	8	
10	910100300054	Bolt GB5783 M12x50-8.8	8	
11	940200200001	Side roller Φ 67 - CD = 65	2	
12	256544020701	Gasket Φ Φ 13 x 20 x0.5	16	
	256544020702	Gasket Φ Φ 13 x 20 x1	16	
13	256544020003	Gasket Φ Φ 13 x 20 x7	16	

Mast (standard mast)

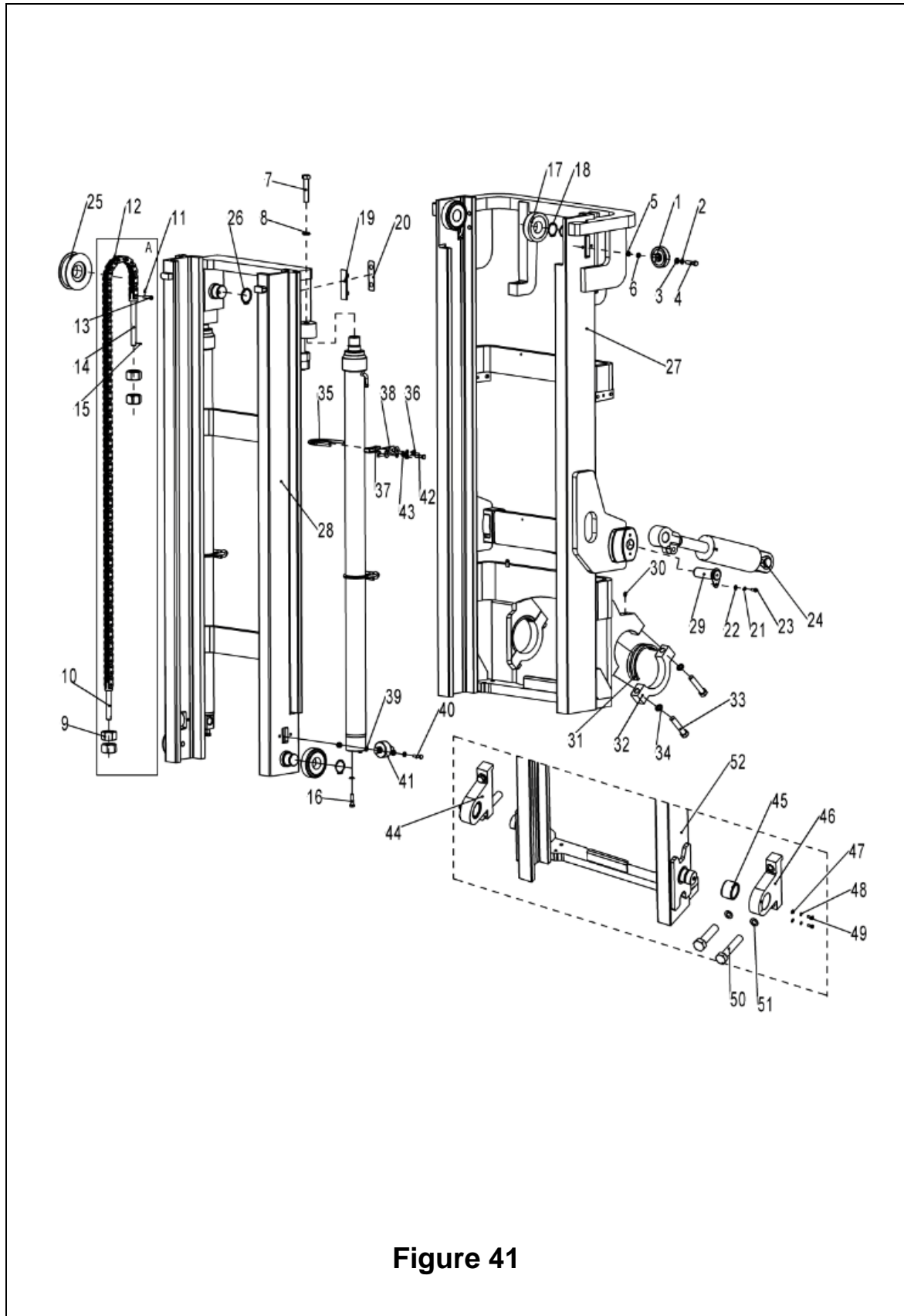


Figure 41

Figure41**Mast (standard mast)**

NO	SN	Name	QTY	Remarks
1	940200200002	Side roller Φ 87 - CD = 55	2	
2	910400500008	Spring washer gb93-12	10	
3	910400100008	The flat washer GB97.1-12-200 hv	8	
4	910100300052	Bolt GB5783 M12x40-8.8	4	
5	256544020003	Gasket Φ Φ 13 x 20 x7	4	
6	256544020701	Gasket Φ Φ 13 x 20 x0.5	4	
7	910100400035	Bolt GB5786 - M20x1.5 x60-8.8	2	
8	256544020710	Gasket Φ 40 x Φ 21 x0.8	2	
A	256544014001	Lifting chain lh1634-71	2	H=2500
	256544014002	Lifting chain lh1634-75	2	H=2700
	256544014003	Lifting chain lh1634-81	2	H=3000
	256544014004	Lifting chain lh1634-87	2	H=3300
	256544014005	Lifting chain lh1634-91	2	H=3500
	256544014006	Lifting chain lh1634-93	2	H=3600
	256544014007	Lifting chain lh1634-95	2	H=3700
	256544014008	Lifting chain lh1634-103	2	H=4000
	256544014009	Lifting chain lh1634-113	2	H=4500
	256544014010	Lifting chain lh1634-117	2	H=4700
	256544014011	Lifting chain lh1634-123	2	H=5000
	256544014012	Lifting chain lh1634-145	2	H=6000
9	910300200007	Nut GB6171 - M22x1.5-10	4	
10	256544020705	Chain bolt m22x1.5x149	1	
11	910600600026	Cotter pin GB91-3.2 x20	2	
12	910900400015	Plate chain GB6074 - LH1634	1	
13	256544020706	Pin Φ x38 9.5	2	
14	256544020707	Chain bolt m22x1.5x214	1	
15	910600600023	Cotter pin GB91-3 x40	2	
16	910100400013	Bolt GB5786 - M12x1.25 x45-8.8	2	
17	940200100004	The main roller Φ 123 x Φ x34 50	4	
18	910401300024	Elastic retaining ring gb894.1-50 for shaft	4	

Mast (standard mast)

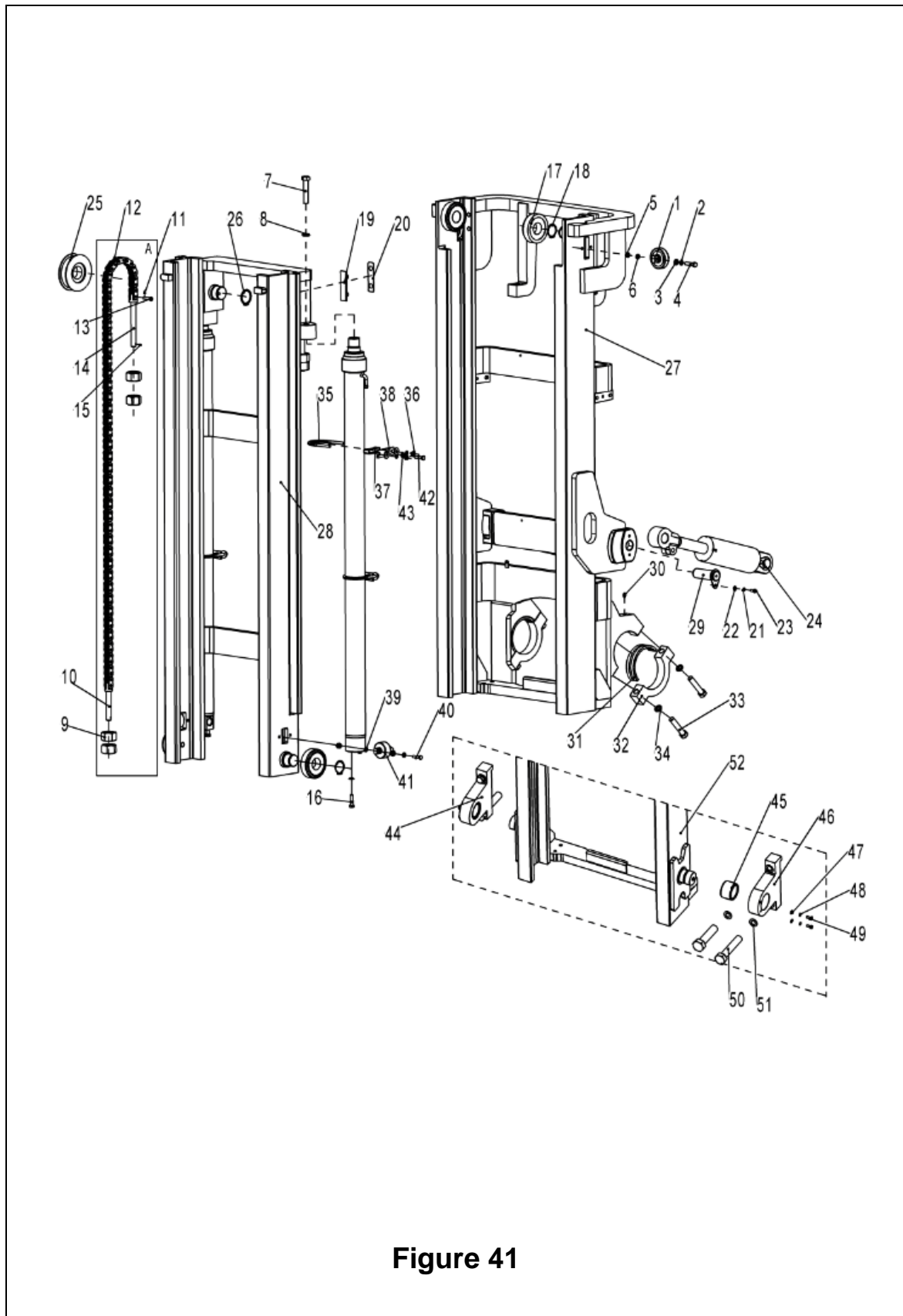


Figure 41

Figure41**Mast (standard mast)**

NO	SN	Name	QTY	Remarks
19	255044020131	plate	2	
20	255044020133	Adjust the gasket	4	
21	910400500007	Spring washer gb93-10	12	
22	910400100007	Flat washer GB97.1-10-200 hv	12	
23	910100300035	Bolt GB5783 M10x20-8.8	4	
24	256544010002	With trunnion Φ x70 40	2	
25	940200500006	Sprocket wheel bearing 135 x 782311 - Φ 55 x34	2	
26	910401300026	Elastic retaining ring gb894.1-55 for shaft	2	
27	256544011001	Outer mast (2500).	1	H=2500
	256544011002	Outer mast (2700).	1	H=2700
	256544011003	Outer mast (3000).	1	H=3000
	256544011004	Outer mast (3300).	1	H=3300
	256544011005	Outer mast (3500).	1	H=3500
	256544011006	Outer mast (3600).	1	H=3600
	256544011007	Outer mast (3700).	1	H=3700
	256544011008	Outer mast (4000).	1	H=4000
	256544011009	Outer mast (4500).	1	H=4500
	256544011010	Outer mast (4700).	1	H=4700
	256544011011	Outer mast (5000).	1	H=5000
	256544011012	Outer mast (6000).	1	H=6000
28	256544012001	Inner mast (2500).	1	H=2500
	256544012002	Inner mast (2700).	1	H=2700
	256544012003	Inner mast (3000).	1	H=3000
	256544012004	Inner mast (3300).	1	H=3300
	256544012005	Inner mast (3500).	1	H=3500
	256544012006	Inner mast (3600).	1	H=3600
	256544012007	Inner mast (3700).	1	H=3700
	256544012008	Inner mast (4000).	1	H=4000
	256544012009	Inner mast (4500).	1	H=4500
	256544012010	Inner mast (4700).	1	H=4700
	256544012011	Inner mast (5000).	1	H=5000

Mast (standard mast)

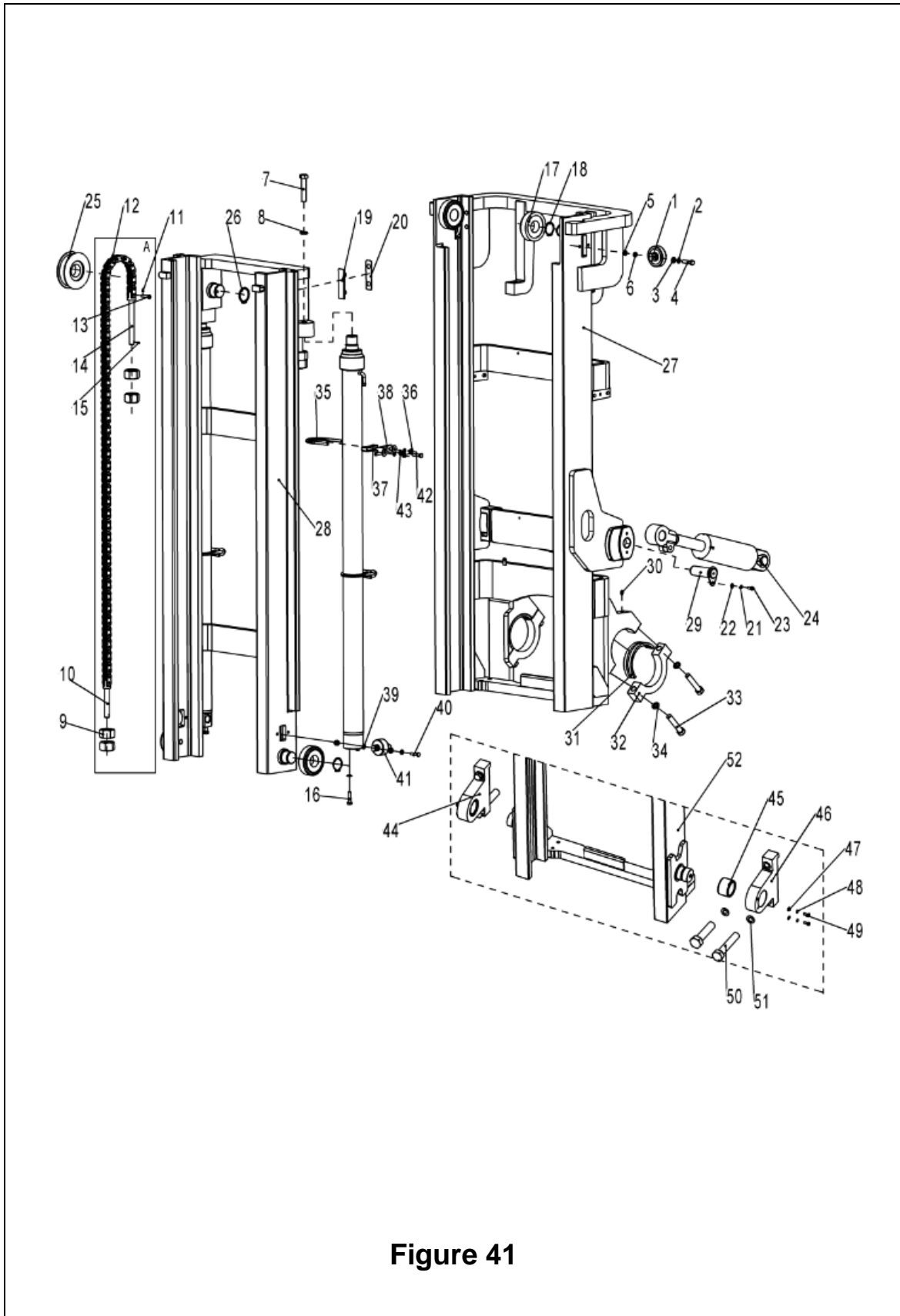


Figure 41

Figure41 Mast (standard mast)

NO	SN	Name	QTY	Remarks
28	256544012012	Inner mast (6000).	1	H=6000
29	256544010001	With trunnion Φ x112 40	2	
30	911200100004	Oil cup JB7940.1 - M10x1	2	
31	256544020009	bush	2	
32	256544020007	Harvard cover	2	
33	910100300088	Bolt GB5783 M20x100-8.8	4	
34	910400500012	Spring washer gb93-20	4	
35	256544020008	U bolt Φ 88	2	
36	910300200002	Nut GB6171 - M10x1. 25-10	2	
37	256544020004	Rubber sleeve	2	
38	256544020005	Fixed seat (ring seat for oil cylinder)	2	
39	256544020006	Gasket Φ Φ 13 x 20 x13	4	
40	910100100048	Bolt GB5782 M12x50-8.8	4	
41	940200200001	Side roller Φ 67 - CD = 65	2	
42	910100300041	Bolt GB5783 M10x50-8.8	2	
43	910300100007	Nut GB6170 - M10-10	2	
44	256544020501	Connecting seat (left)	1	Double drive
45	940500400008	Self-lubricating bearing Φ 60 x Φ 75 x60	2	Double drive
46	256544020500	Connecting seat (right)	1	Double drive
47	910400100006	The flat washer GB97.1-8-200 hv	2	Double drive
48	910400500006	Spring washer gb93-8	2	Double drive
49	910100300022	Bolt GB5783 M8x20-8.8	2	Double drive
50	910100100090	Bolt GB5782 M20x80-8.8	4	Double drive
51	910400100012	Flat washer GB97.1-20-200 hv	4	Double drive
52	256543511051	Outer mast (2500).	1	Double drive
	256543511052	Outer mast (2700).	1	Double drive

Mast (standard mast)

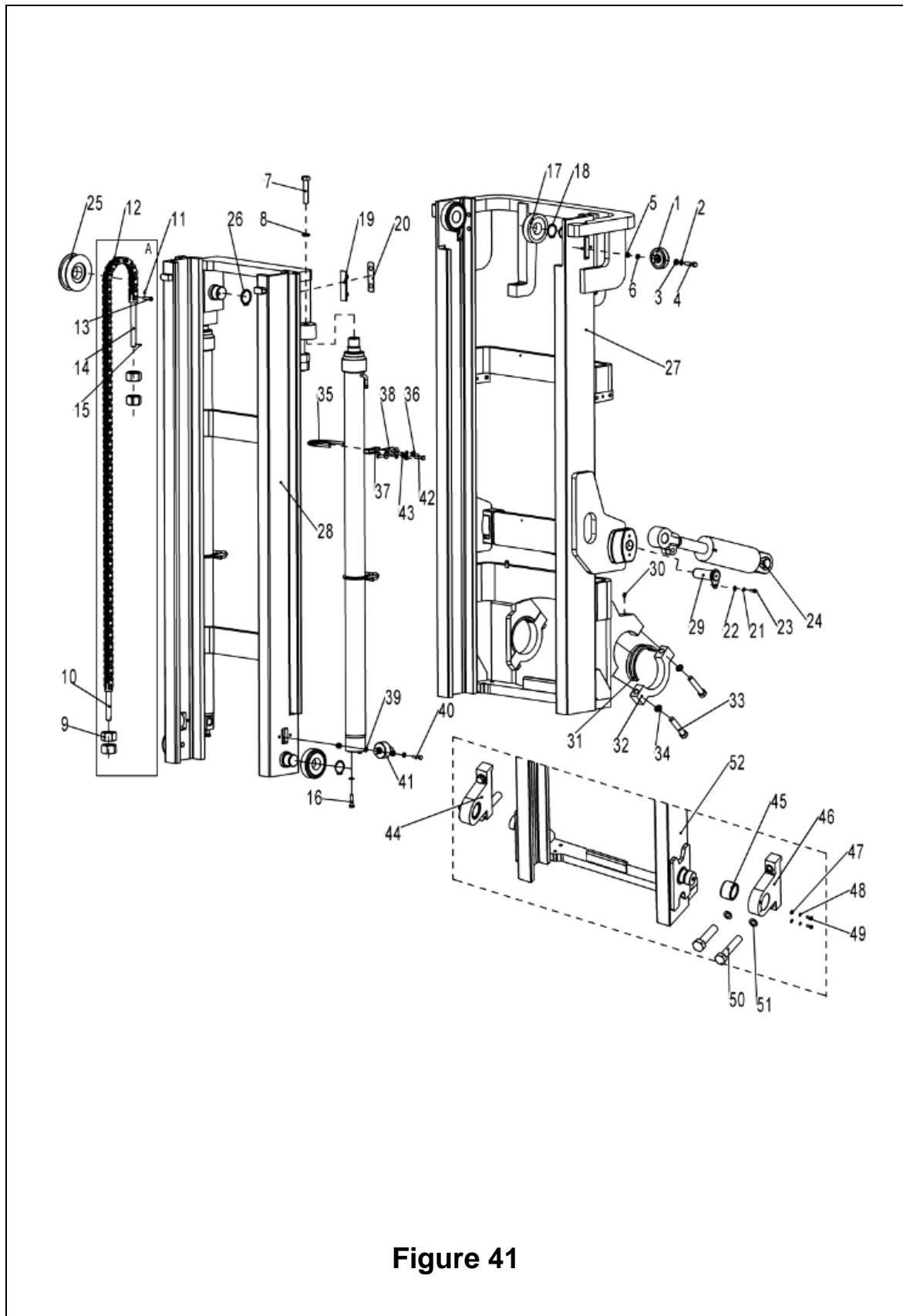


Figure 41

Figure41**Mast (standard mast)**

NO	SN	Name	QTY	Remarks
52	256543511053	Outer mast (3000).	1	Double drive
	256543511054	Outer mast (3300).	1	Double drive
	256543511055	Outer mast (3500).	1	Double drive
	256543511056	Outer mast (3600).	1	Double drive
	256543511057	Outer mast (3700).	1	Double drive
	256543511058	Outer mast (4000).	1	Double drive
	256543511059	Outer mast (4500).	1	Double drive
	256543511060	Outer mast (4700).	1	Double drive
	256543511061	Outer mast (5000).	1	Double drive
	256543511062	Outer mast (6000).	1	Double drive

Mast (Second full free mast)

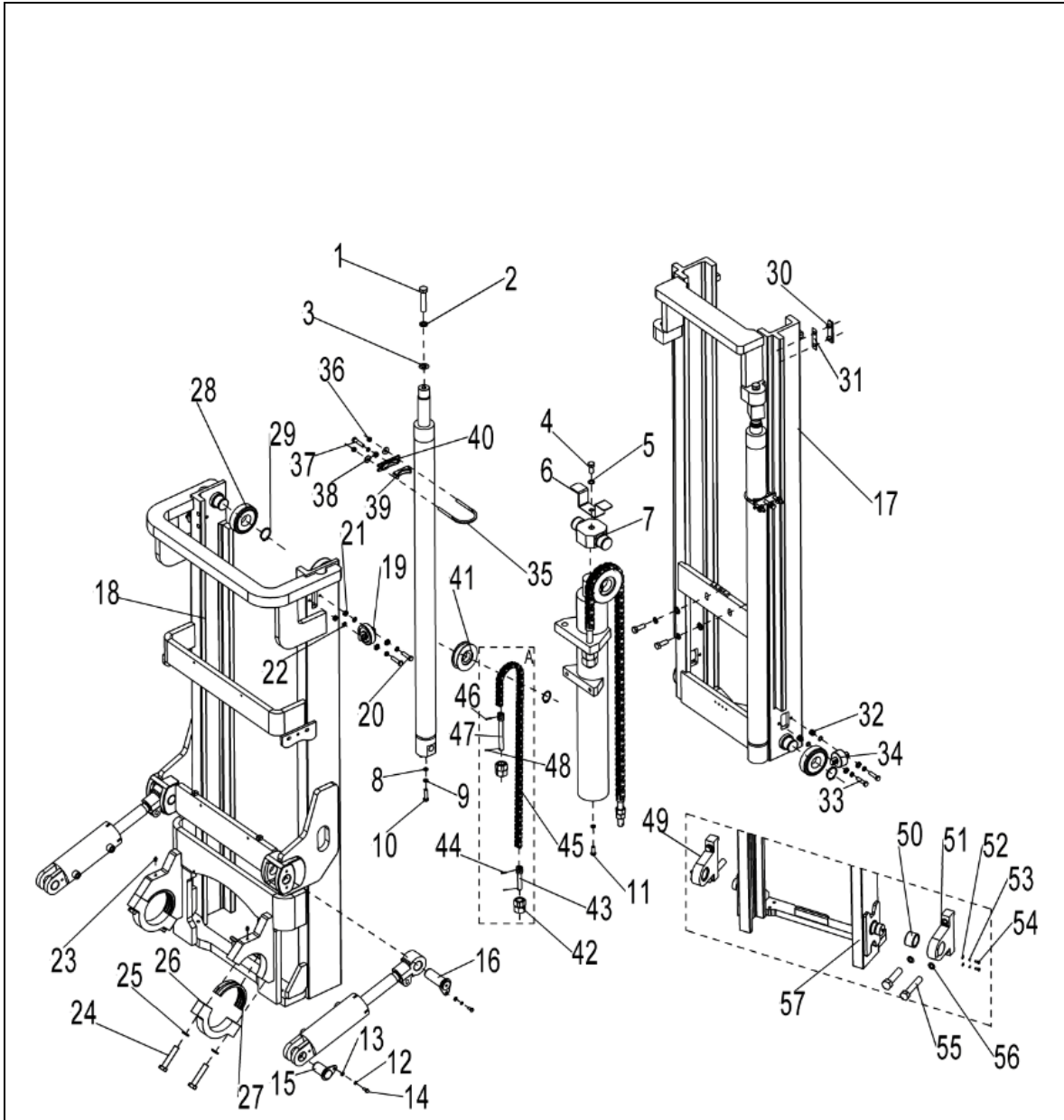


Figure 42

Figure42 Mast (Second full free mast)

NO	SN	Name	QTY	Remarks
1	910100400035	Bolt GB5786 - M20x1. 5 x60-8.8	2	
2	910400500012	Spring washer gb93-20	4	
3	256544020710	Gasket Φ 40 x Φ 21 x0. 8	2	
	256544020711	Gasket Φ 40 x Φ 21 x0. 5	2	
	256544020712	Gasket Φ 40 x Φ 21 x0. 2	2	
4	910100300071	Bolt GB5783 M16x45-8.8	4	
5	910400500010	Spring washer gb93-16	4	
6	256544520001	Baffle (chain)	1	
7	256544520002	Sprocket wheel seat	1	
8	910100400013	Bolt GB5786 - M12x1. 25 x45-8.8	2	
9	910400500008	Spring washer gb93-12	10	
10	910400100008	The flat washer GB97.1-12-200 hv	8	
11	910100400010	Bolt GB5786 - M12x1. 25 x - 8.8	1	
12	910400500007	Spring washer gb93-10	12	
13	910400100007	Flat washer GB97.1-10-200 hv	12	
14	910100300035	Bolt GB5783 M10x20-8.8	4	
15	256544010002	With trunnion Φ x70 40	2	
16	256544010001	With trunnion Φ x112 40	2	
17	256543512001	Inner mast (2500)	1	H=2500
	256543512002	Inner mast (2700)	1	H=2700
	256543512003	Inner mast (3000)	1	H=3000
	256543512004	Inner mast (3300)	1	H=3300
	256543512005	Inner mast (3500)	1	H=3500
	256543512006	Inner mast (3600)	1	H=3600
	256543512007	Inner mast (3700)	1	H=3700
	256543512008	Inner mast (4000)	1	H=4000
	256543512009	Inner mast (4500)	1	H=4500
	256543512010	Inner mast (4700)	1	H=4700
	256543512011	Inner mast (5000)	1	H=5000
	256543512012	Inner mast (6000)	1	H=6000

Mast (second full free mast)

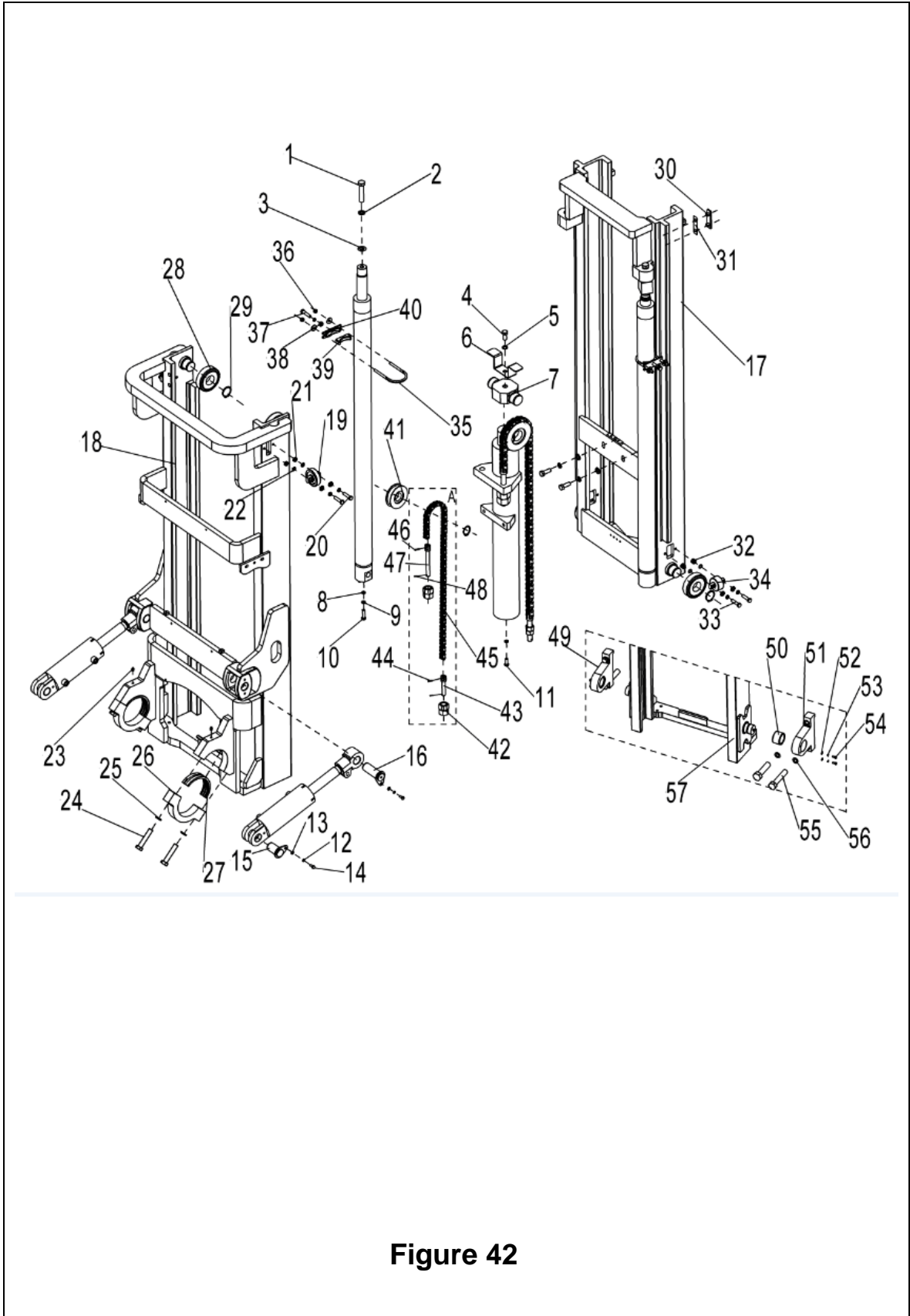


Figure 42

Figure42 Mast (second full free mast)

NO	SN	Name	QTY	Remarks
18	256543511001	Outer mast (2500)	1	H=2500
	256543511002	Outer mast (2700)	1	H=2700
	256543511003	Outer mast (3000)	1	H=3000
	256543511004	Outer mast (3300)	1	H=3300
	256543511005	Outer mast (3500)	1	H=3500
	256543511006	Outer mast (3600)	1	H=3600
	256543511007	Outer mast (3700)	1	H=3700
	256543511008	Outer mast (4000)	1	H=4000
	256543511009	Outer mast (4500)	1	H=4500
	256543511010	Outer mast (4700)	1	H=4700
	256543511011	Outer mast (5000)	1	H=5000
	256543511012	Outer mast (6000)	1	H=6000
19	940200200002	Side roller Φ 87 - CD = 55	2	
20	910100300052	Bolt GB5783 M12x40-8.8	4	
21	256544020003	Gasket Φ Φ 13 x 20 x7	4	
22	256544020701	Gasket Φ Φ 13 x 20 x0.5	4	
	256544020702	Gasket Φ Φ 13 x 20 x1	4	
23	911200100004	Oil cup JB7940.1 - M10x1	2	
24	910100200021	Bolt GB5785 - M20x1.5 x100-8.8	2	
25	910400500012	Spring washer gb93-20	4	
26	256544020007	Harvard cover	2	
27	256544020009	bush	2	
28	940200199005	The main roller Φ 124 x 123 - Φ Φ 50 x34 set figure	4	
29	910401300024	Elastic retaining ring gb894.1-50 for shaft	4	
30	255044020131	plate	2	
31	255044020133	Adjust the gasket	1	
32	256544020006	Gasket Φ Φ 13 x 20 x13	4	
33	910100100048	Bolt GB5782 M12x50-8.8	4	
34	940200200001	Side roller Φ 67 - CD = 65	2	
35	256544020008	U bolt Φ 88	2	

Mast (second full free mast)

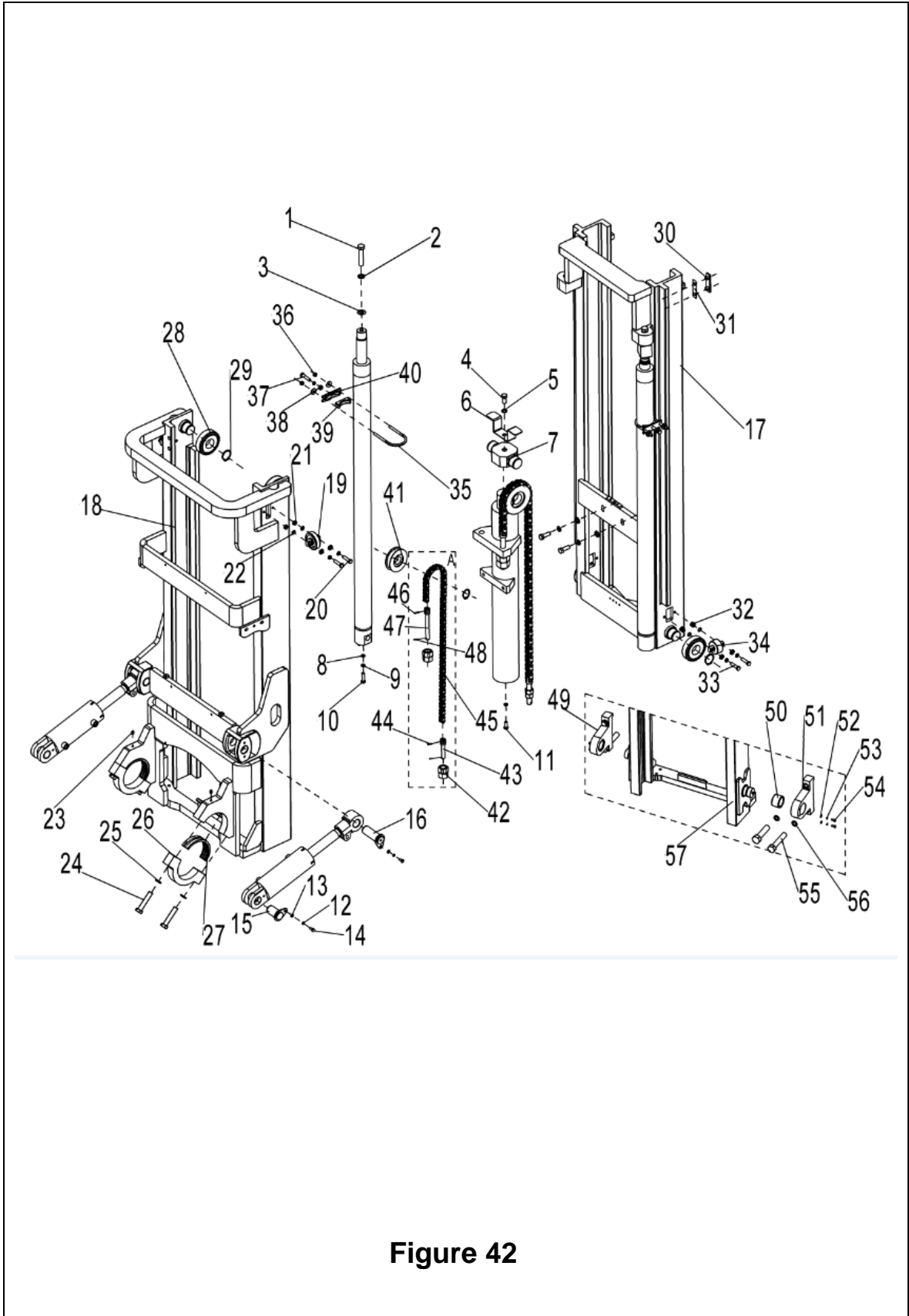


Figure 42

Figure42 Mast (second full free mast)

NO	SN	Name	QTY	Remarks
36	910300200002	Nut GB6171 - M10x1. 25-10	2	
37	910100300055	Bolt GB5783 M12x55-8.8	2	
38	910300100008	Nut GB6170 - M12-10	2	
39	256544020004	Rubber sleeve	2	
40	256544020005	Fixed seat (ring seat for oil cylinder)	2	
41	940200500006	Sprocket wheel bearing 135 x 782311 - $\Phi \Phi$ 55 x34	2	
42	910300200007	Nut GB6171 - M22x1. 5-10	4	
43	256544020705	Chain bolt m22x1.5x149	1	
44	910600600026	Cotter pin GB91-3.2 x20	2	
45	▲	Plate chain GB6074 - LH1634	1	
46	256544020706	Pin Φ x38 9.5	2	
47	256544020707	Chain bolt m22x1.5x214	1	
48	910600600023	Cotter pin GB91-3 x40	2	
A	256543515001	Lifting chain lh1634-53	2	H=2500
	256544515003	Lifting chain lh1634-57	2	H=2700
	256544515004	Lifting chain lh1634-59	2	H=3000
	256543515002	Lifting chain lh1634-61	2	H=3300
	256543515003	Lifting chain lh1634-65	2	H=3500/3600
	256544515006	Lifting chain lh1634-67	2	H=3700
	256544515007	Lifting chain lh1634-69	2	H=4000
	256544014001	Lifting chain lh1634-73	2	H=4500
	256543515005	Lifting chain lh1634-77	2	H=4700/5000
	256543515007	Lifting chain lh1634-89	2	H=6000
49	256544020501	Connecting seat (left)	1	double-drive
50	940500400008	Self-lubricating bearing Φ 60 x Φ 75 x60	2	double-drive
51	256544020500	Connecting seat (right)	1	double-drive
52	910400100006	The flat washer GB97.1-8-200 hv	2	double-drive
53	910400500006	Spring washer gb93-8	2	double-drive
54	910100300022	Bolt GB5783 M8x20-8.8	2	double-drive
55	910100100090	Bolt GB5782 M20x80-8.8	4	double-drive

Mast (second full free mast)

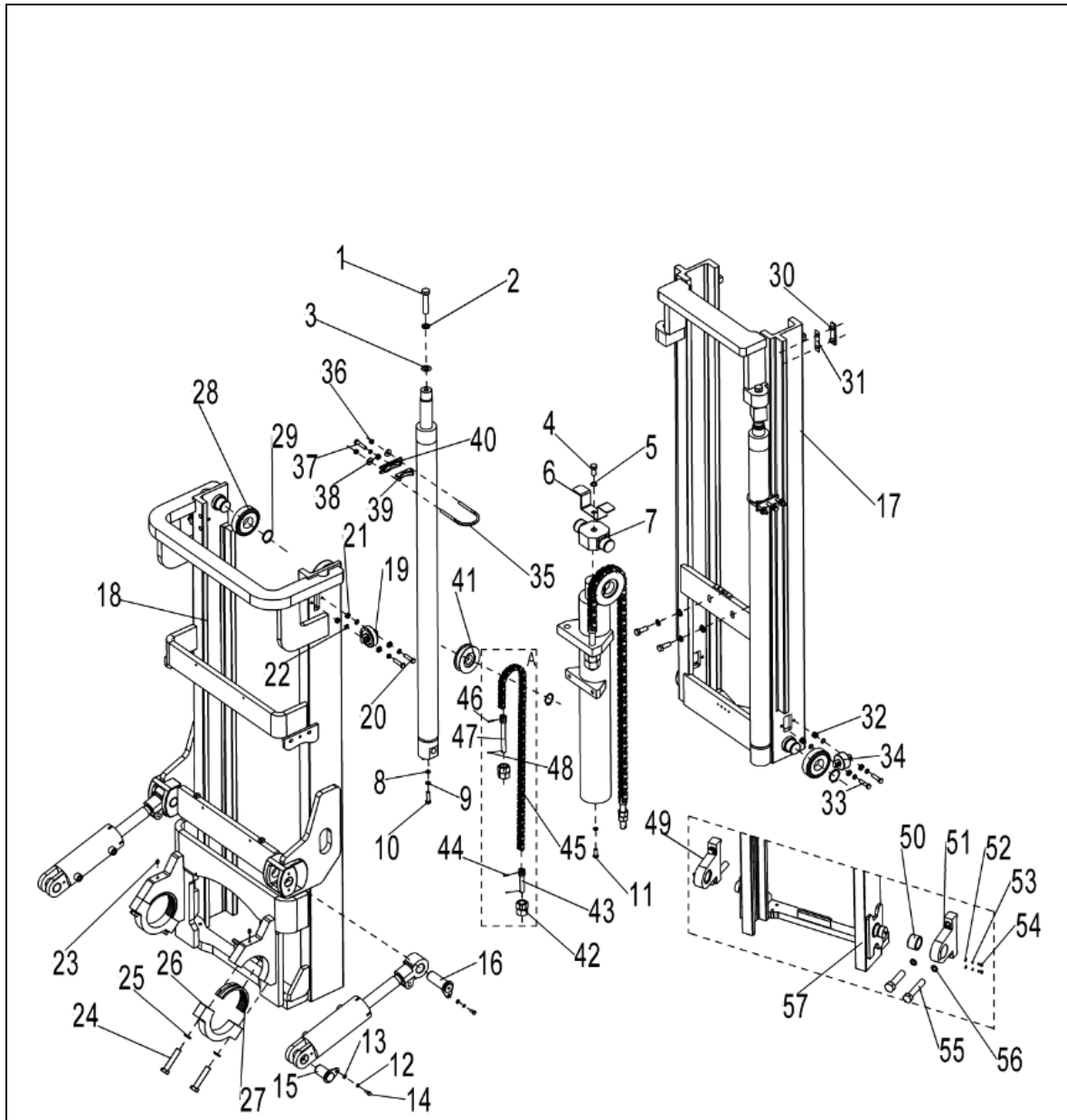


Figure 42

Figure42 Mast (second full free mast)

NO	SN	Name	QTY	Remarks
56	910400100012	Flat washer GB97.1-20-200 hv	4	double-drive
57	256543511051	Outer mast (2500).	1	double-drive
	256543511052	Outer mast (2700).	1	double-drive
	256543511053	Outer mast (3000).	1	double-drive
	256543511054	Outer mast (3300).	1	double-drive
	256543511055	Outer mast (3500).	1	double-drive
	256543511056	Outer mast (3600).	1	double-drive
	256543511057	Outer mast (3700).	1	double-drive
	256543511058	Outer mast (4000).	1	double-drive
	256543511059	Outer mast (4500).	1	double-drive
	256543511060	Outer mast (4700).	1	double-drive
	256543511061	Outer mast (5000).	1	double-drive
256543511062	Outer mast (6000).	1	double-drive	

Mast (three full free mast)

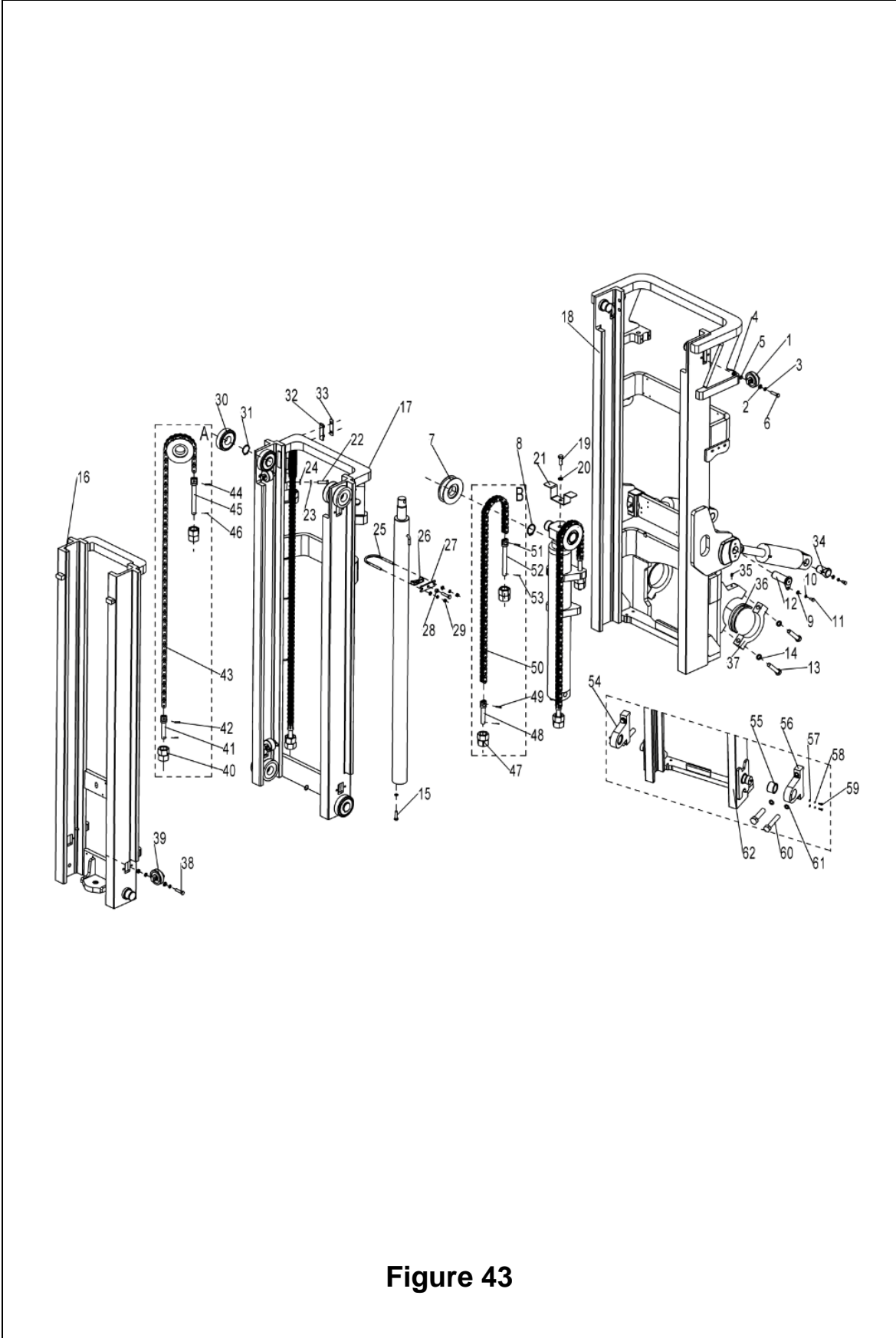


Figure 43

Figure43**Mast (three full free mast)**

NO	SN	Name	QTY	Remarks
1	940200200002	Side roller Φ 87 - CD = 55	2	
2	910400500008	Spring washer gb93-12	18	
3	910400100008	The flat washer GB97.1-12-200 hv	18	
4	256544020003	Gasket Φ Φ 13 x 20 x7	28	
5	256544020701	Gasket Φ Φ 13 x 20 x0.5	46	
	256544020702	Gasket Φ Φ 13 x 20 x1	46	
6	910100300052	Bolt GB5783 M12x40-8.8	18	
7	940200500006	Sprocket wheel bearing	4	
8	910401300026	Elastic retaining ring	4	
9	910400500007	Spring washer gb93-10	12	
10	910400100007	Flat washer GB97.1-10-200 hv	12	
11	910100300035	Bolt GB5783 M10x20-8.8	4	
12	256544010001	With trunnion Φ x112 40	2	
13	910100200021	Bolt GB5785 - M20x1.5 x100-8.8	4	
14	910400500012	Spring washer gb93-20	4	
15	910100400013	Bolt GB5786 - M12x1.25 x45-8.8	2	
16	256544512001	Inner mast (3700)	1	H=3700
	256544512002	Inner mast (4000)	1	H=4000
	256544512003	Inner mast (4350)	1	H=4350
	256544512004	Inner mast (4500)	1	H=4500
	256544512005	Inner mast (4800)	1	H=4800
	256544512006	Inner mast (5000)	1	H=5000
	256544512007	Inner mast (5500)	1	H=5500
	256544512008	Inner mast (6000)	1	H=6000
17	256544513001	Middle mast (3700)	1	H=3700
	256544513002	Middle mast (4000)	1	H=4000
	256544513003	Middle mast (4350)	1	H=4350
	256544513004	Middle mast (4500)	1	H=4500
	256544513005	Middle mast (4800)	1	H=4800
	256544513006	Middle mast (5000)	1	H=5000
	256544513007	Middle mast (5500)	1	H=5500

Mast (three full free mast)

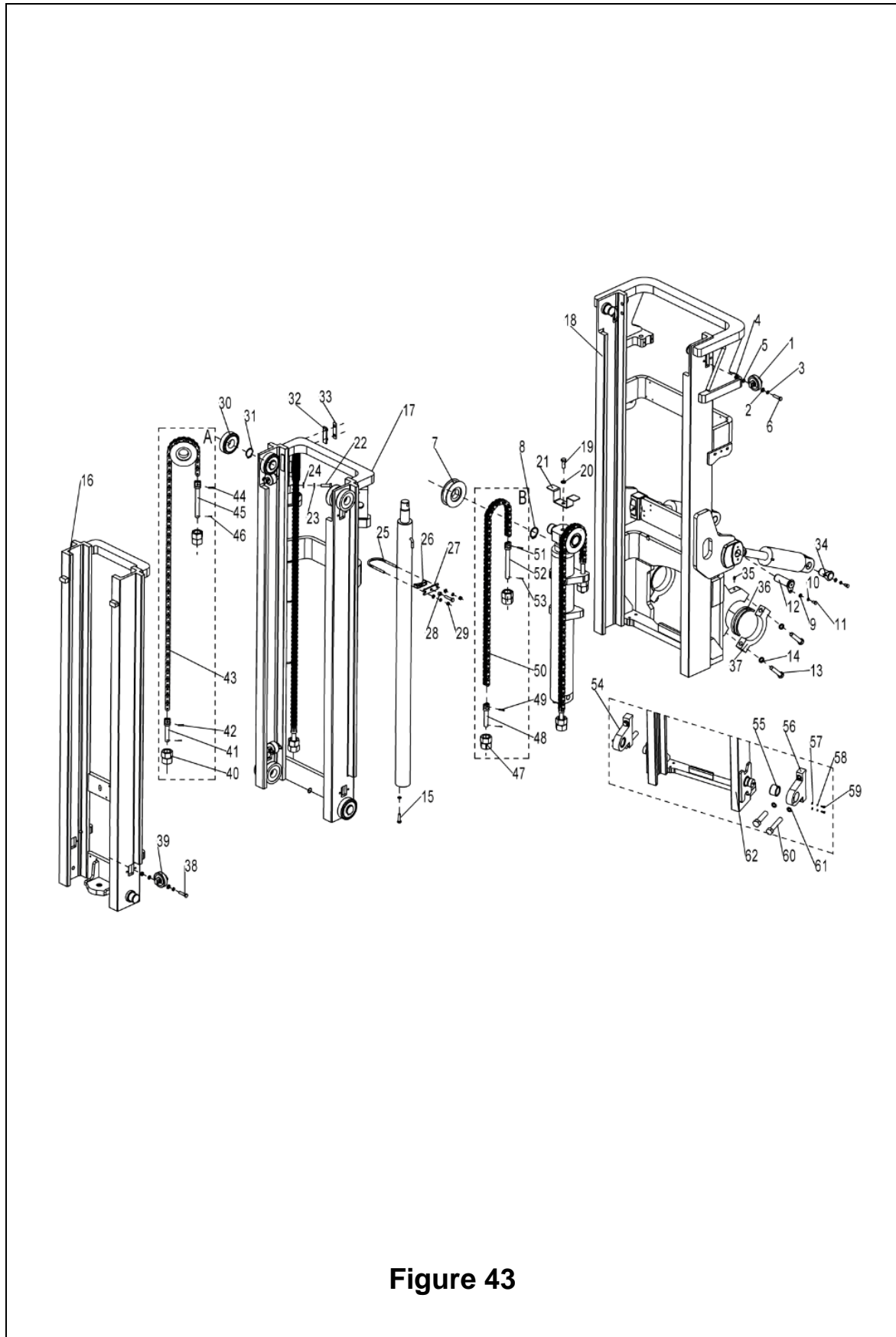


Figure 43

Figure43 Mast (three full free mast)

NO	SN	Name	QTY	Remarks
17	256544513008	Middle mast (6000)	1	H=6000
18	256544511001	Outer mast (3700)	1	H=3700
	256544511002	Outer mast (4000)	1	H=4000
	256544511003	Outer mast (4350)	1	H=4350
	256544511004	Outer mast (4500)	1	H=4500
	256544511005	Outer mast (4800)	1	H=4800
	256544511006	Outer mast (5000)	1	H=5000
	256544511007	Outer mast (5500)	1	H=5500
	256544511008	Outer mast (6000)	1	H=6000
	19	910100300071	Bolt GB5783 M16x45-8.8	1
20	910400500010	Spring washer gb93-16	1	
21	256544520001	Baffle (chain)	1	
22	910100300065	Bolt GB5783 M14x50-8.8	2	
23	910400100009	The flat washer GB97.1-14-200 hv	2	
24	910400500009	Spring washer gb93-14	2	
25	256544020008	U bolt Φ 88	2	
26	256544020004	Rubber sleeve	2	
27	256544020005	Fixed seat (ring seat for oil cylinder)	2	
28	910300100008	Nut GB6170 - M12-10	2	
29	910300100007	Nut GB6170 - M10-10	2	
30	940200100004	The main roller Φ 123 x Φ x34 50	8	
31	910401300024	Elastic retaining ring	8	
32	255044020131	plate	4	
33	255044020132	Adjust spacer 0.8	4	
	255044020133	Adjust shim 0.5	4	
	255044020134	Adjust shim 0.2	4	
34	256544010002	With trunnion Φ x70 40	2	
35	911200100004	Oil cup JB7940.1 - M10x1	2	
36	256544020009	bush	2	
37	256544020007	Harvard cover	2	
38	910100100048	Bolt GB5782 M12x50-8.8	12	

Figure43 Mast (three full free mast)

NO	SN	Name	QTY	Remarks
39	940200200001	Side roller Φ 67 - CD = 65	6	
A	256544014001	Lifting chain lh1634-67	2	H=3700
	256544514006	Lifting chain lh1634-71	2	H=4000
	256544514002	Lifting chain lh1634-75	2	H=4350
	256544514003	Lifting chain lh1634-77	2	H=4500
	256544514004	Lifting chain lh1634-81	2	H=4800
	256544514005	Lifting chain lh1634-83	2	H=5000
	256544014005	Lifting chain lh1634-89	2	H=5500
	256544014008	Lifting chain lh1634-101	2	H=6000
40	910300200007	Nut GB6171 - M22x1. 5-10	4	
41	256544020705	Chain bolt m22x1.5x149	1	
42	910600600026	Cotter pin GB91-3.2 x20	2	
43	910900400015	Plate chain GB6074 - LH1634	1	
44	256544020706	Pin Φ x38 9.5	2	
45	256544020707	Chain bolt m22x1.5x214	1	
46	910600600023	Cotter pin GB91-3 x40	2	
B	256544515001	Lifting chain lh1634-51	2	H=3700
	256544515002	Lifting chain lh1634-55	2	H=4000/4350
	256544515003	Lifting chain lh1634-57	2	H=4500
	256544515004	Lifting chain lh1634-59	2	H=4800
	256544515005	Lifting chain lh1634-61	2	H=5000
	256544515006	Lifting chain lh1634-67	2	H=5500
	256544515007	Lifting chain lh1634-69	2	H=6000
47	910300200007	Nut GB6171 - M22x1. 5-10	4	
48	256544020705	Chain bolt m22x1.5x149	1	
49	910600600026	Cotter pin GB91-3.2 x20	2	
50	▲	Plate chain GB6074 - LH1634	1	
51	256544020706	Pin Φ x38 9.5	2	
52	256544020707	Chain bolt m22x1.5x214	1	
53	910600600023	Cotter pin GB91-3 x40	2	

Mast (three full free mast)

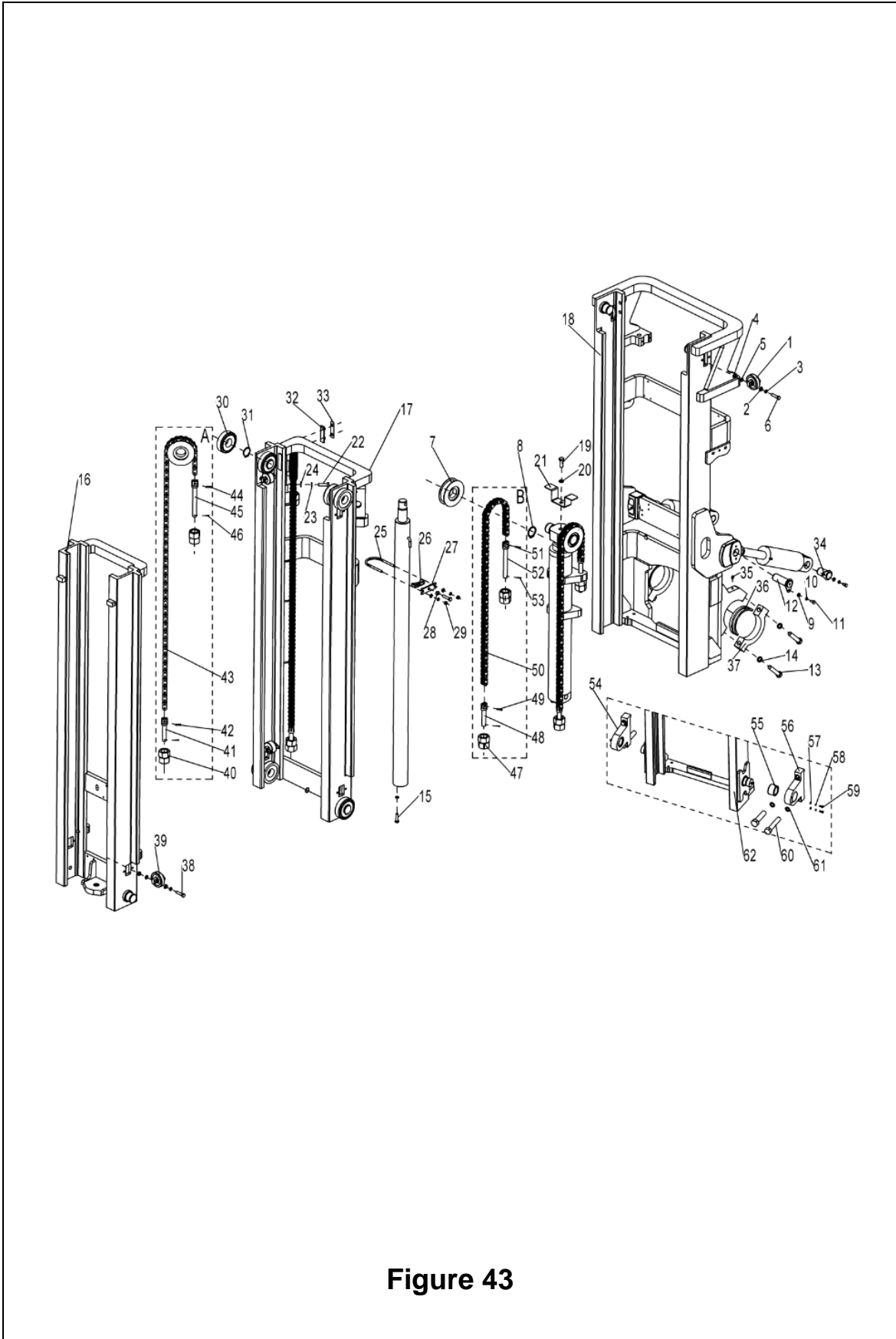


Figure 43

Figure43**Mast (three full free mast)**

NO	SN	Name	QTY	Remarks
54	256544020501	Connecting seat (left)	1	double-drive
55	940500400008	Self-lubricating bearing Φ 60 x Φ 75 x60	2	double-drive
56	256544020500	Connecting seat (right)	1	double-drive
57	910400100006	The flat washer GB97.1-8-200 hv	2	double-drive
58	910400500006	Spring washer gb93-8	2	double-drive
59	910100300022	Bolt GB5783 M8x20-8.8	2	double-drive
60	910100100090	Bolt GB5782 M20x80-8.8	4	double-drive
61	910400100012	Flat washer GB97.1-20-200 hv	4	double-drive
62	256543511051	Outer mast (2500).	1	double-drive
	256543511052	Outer mast (2700).	1	double-drive
	256543511053	Outer mast (3000).	1	double-drive
	256543511054	Outer mast (3300).	1	double-drive
	256543511055	Outer mast (3500).	1	double-drive
	256543511056	Outer mast (3600).	1	double-drive
	256543511057	Outer mast (3700).	1	double-drive
	256543511058	Outer mast (4000).	1	double-drive
	256543511059	Outer mast (4500).	1	double-drive
	256543511060	Outer mast (4700).	1	double-drive
	256543511061	Outer mast (5000).	1	double-drive
	256543511062	Outer mast (6000).	1	double-drive

Lifting oil cylinder (standard mast)

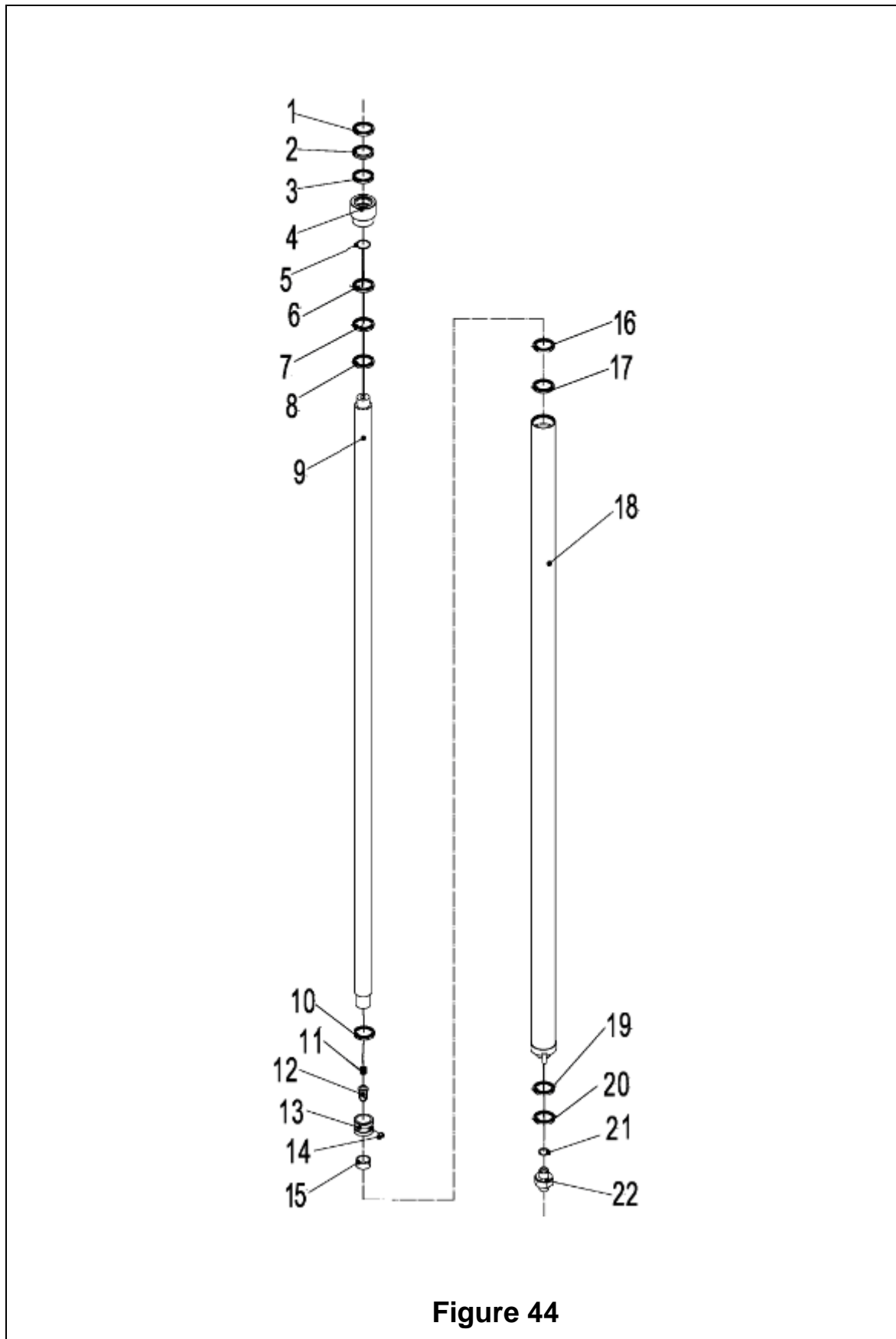


Figure44 Lifting oil cylinder (standard mast)

NO	SN	Name	QTY	Remarks
A	256544016001	Oil cylinder Φ 70 x Φ x1245 50	2	H=2500
	256544016002	Oil cylinder Φ 70 x Φ x1345 50	2	H=2700
	256544016003	Oil cylinder Φ 70 x Φ x1495 50	2	H=3000
	256544016004	Oil cylinder Φ 70 x Φ x1645 50	2	H=3300
	256544016005	Oil cylinder Φ 70 x Φ x1745 50	2	H=3500
	256544016006	Oil cylinder Φ 70 x Φ x1795 50	2	H=3600
	256544016007	Oil cylinder Φ 70 x Φ x1845 50	2	H=3700
	256544016008	Oil cylinder Φ 70 x Φ x1995 50	2	H=4000
	256544016009	Oil cylinder Φ 70 x Φ x2245 50	2	H=4500
	256544016010	Oil cylinder Φ 70 x Φ x2345 50	2	H=4700
	256544016011	Oil cylinder Φ 70 x Φ x2495 50	2	H=5000
	256544016012	Oil cylinder Φ 70 x Φ x2995 50	2	H=6000
1	▲	Framework dust shield DKB 50×62×7/10	1	
2	▲	Shaft seal D2 50 * 60 * 6	1	
3	▲	Guide sleeve	1	
4	▲	Cylinder head	1	
5	▲	O rubber seal 80×3.55	1	
6	▲	The steel back of bearing SF - 1 / Φ 55 * Φ 50 * 27	1	
7	▲	Slotted flat end set screw M8×8	1	
8	▲	The nylon pad Φ 6 x 3	1	
9	▲	The piston rod	1	
10	▲	O rubber seal ring (inner 50X2)	1	
11	▲	Adjust the set of	2	
12	▲	Shaft with steel ring Φ 34 x Φ 2	1	
13	▲	The piston	1	
14	▲	Bore bearing ring D 70×25×2.5	1	
15	▲	The buffer set	1	

Lifting oil cylinder (standard mast)

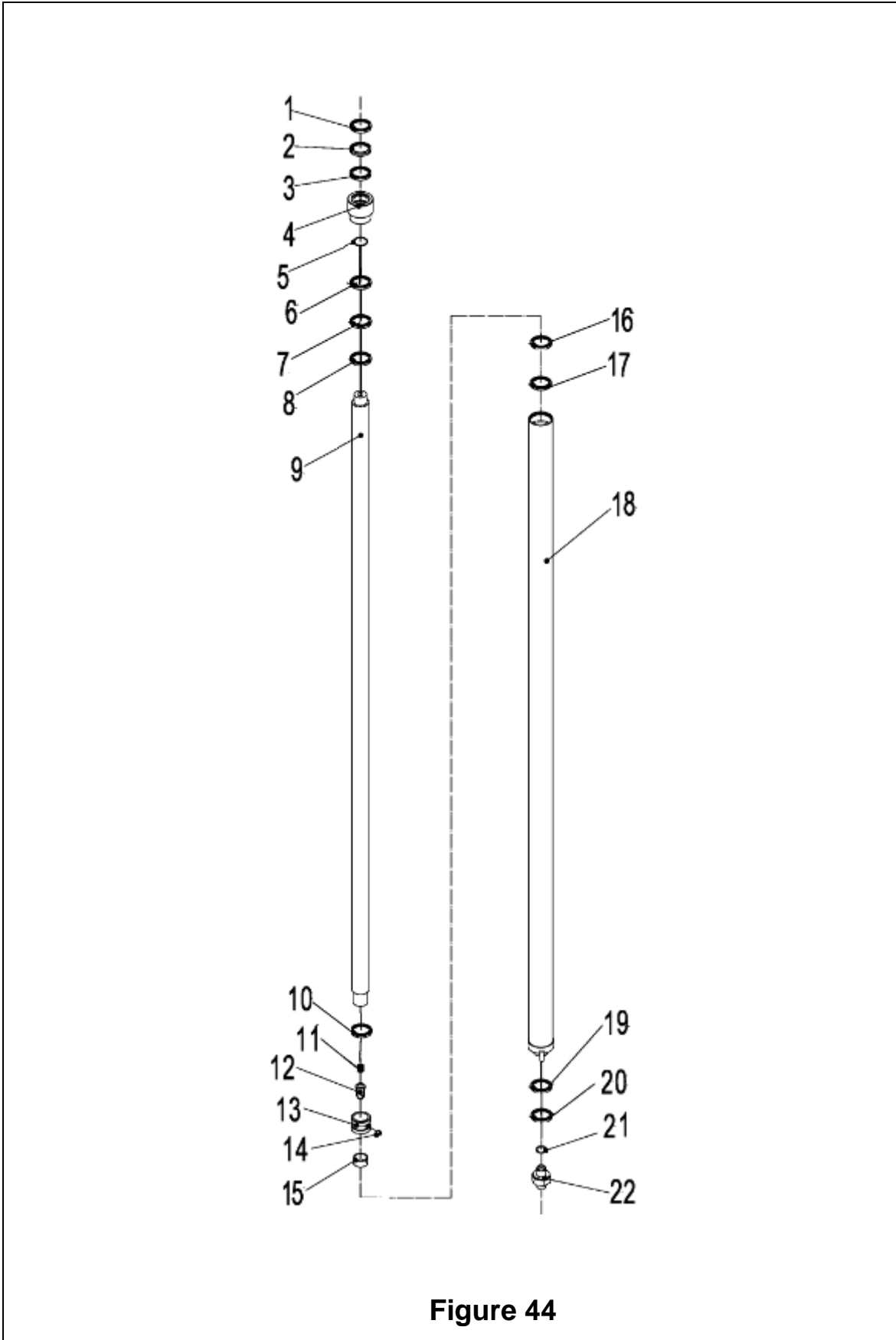


Figure 44

Figure44 **Lifting oil cylinder (standard mast)**

NO	SN	Name	QTY	Remarks
16	▲	Hole sealing OSI70 x 60 x 6	1	
17	▲	Retaining ring Ø 60 x Ø 70 x 3	1	
18	▲	Cylinder assembly	1	
19	▲	Steel wire ring Ø 27 x Ø 2.5	1	
20	▲	Spring Ø 17.3 x 2.3 x 48.5 Ø	1	
21	▲	The cylindrical pin 10 x 25	1	
22	▲	The valve core Ø 23 Ø 5.2 x 31 six hole	1	
A	256598510001	Seal repair package (lifting cylinder)	1	

Note: components are not provided separately

Short lift cylinder (second full free mast)

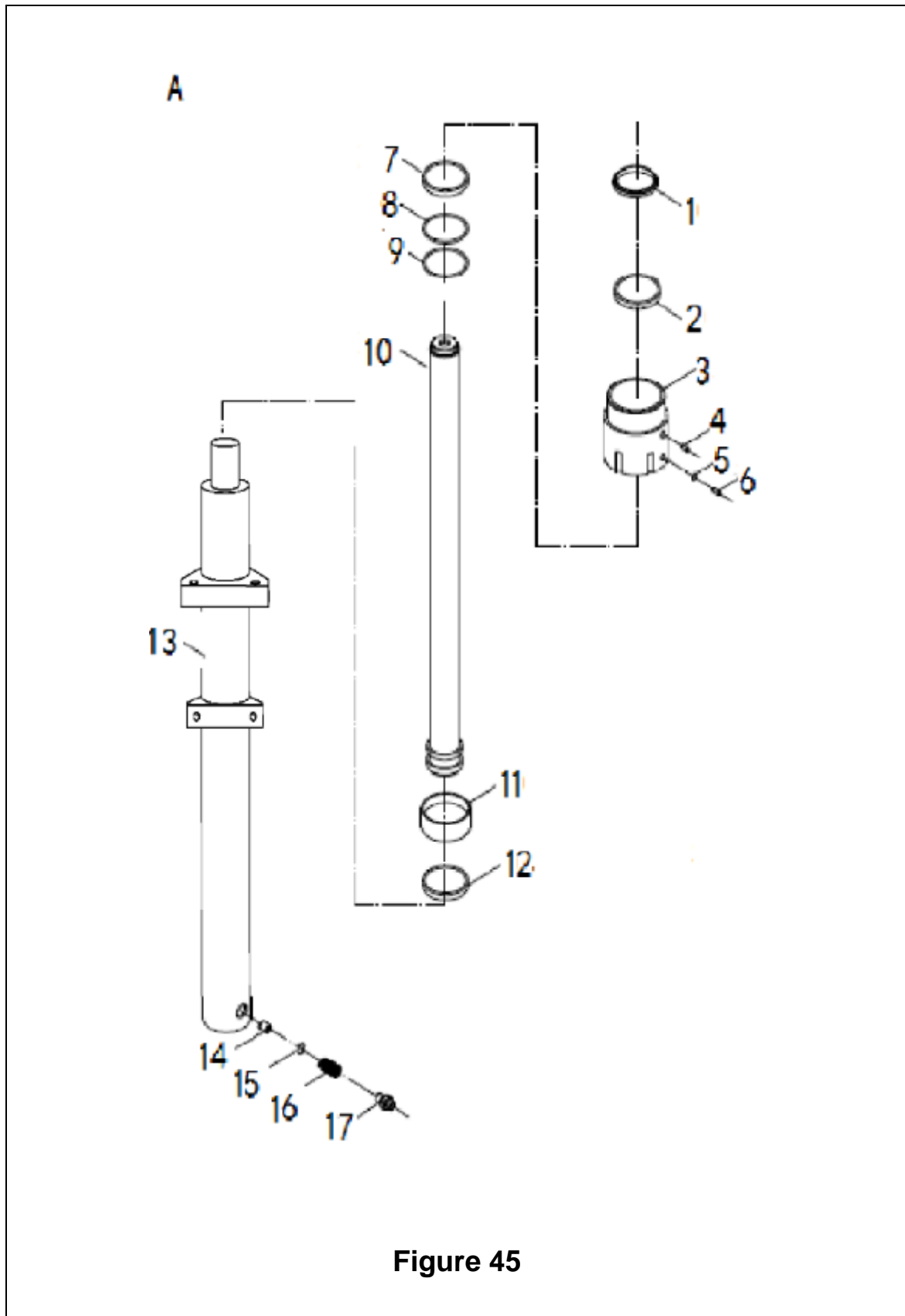


Figure45 Short lift cylinder (second full free mast)

NO	SN	Name	QTY	Remarks
A	256544518001	Oil cylinder (M) Φ x637 x 110 x 90	1	H=2500
	256544518002	Oil cylinder (M) Φ x687 x 110 x 90	1	H=2700
	256544518004	Oil cylinder (M) Φ x772 x 110 x 90	1	H=3000
	256544518006	Oil cylinder (M) Φ x857 x 110 x 90	1	H=3300
	256543518001	Oil cylinder (M) Φ Φ 110 x 90 x900	1	H=3500
	256543518002	Oil cylinder (M) Φ x925 x 110 x 90	1	H=3600
	256544518007	Oil cylinder (M) Φ x942 x 110 x 90	1	H=3700
	256544518008	Oil cylinder (M) Φ x1022 x 110 x 90	1	H=4000
	256543518003	Oil cylinder (M) Φ x1147 x 110 x 90	1	H=4500
	256543518004	Oil cylinder (M) Φ x1197 x 110 x 90	1	H=4700
	256543518005	Oil cylinder (M) Φ x1272 x 110 x 90	1	H=5000
	256543518006	Oil cylinder (M) Φ x1522 x 110 x 90	1	H=6000
1	▲	Skeleton dust trap	1	
2	▲	Retaining ring	1	
3	▲	Cylinder head	1	
4	▲	Shaft seal	1	
5	▲	O-ring (outer 115 x3-1)	1	
6	▲	The steel back of the bearing	1	
7	▲	Retaining ring	1	
8	▲	O-ring (outer 110x3-1)	1	
9	▲	Hexagon socket cap screw (M8x8 blackening)	1	
10	▲	The piston rod	1	
11	▲	Combination gasket 6	1	
12	▲	The piston assembly	1	
13	▲	Cylinder assembly	1	
14	▲	G shape spring	1	
15	▲	The hole is circled with a lattice	1	
16	▲	Support rings for holes	1	
17	▲	The valve core	1	
A	256598510002	Seal repair package (intermediate cylinder)	1	include1/2/3/5/11

Lifting oil cylinder (Second full free mast)

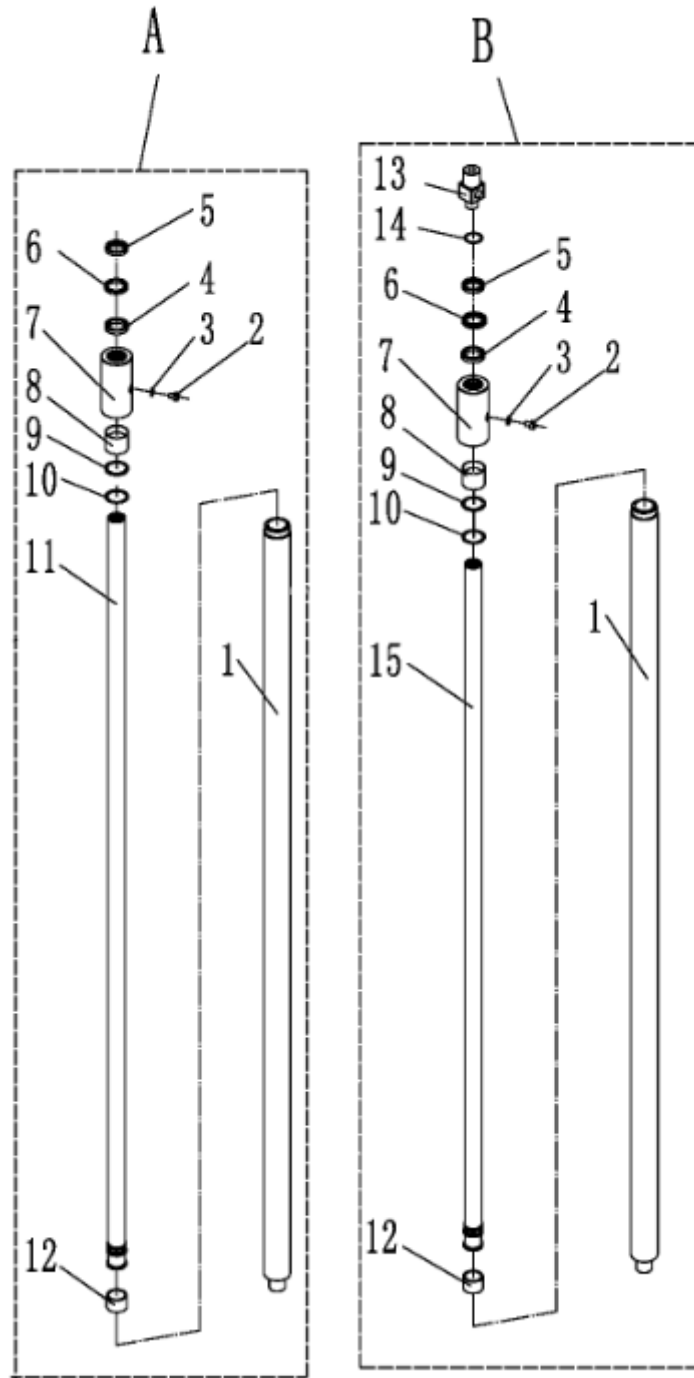


Figure 46

Figure46 Lifting oil cylinder (Second full free mast)

NO	SN	Name	QTY	Remarks
A	256543502701	Oil cylinder (R) Φ 70 x 50 x1200	1	H=2500
	256543502702	Oil cylinder (R) Φ 70 x 50 x1300	1	H=2700
	256543502703	Oil cylinder (R) Φ 70 x 50 x1450	1	H=3000
	256543502704	Oil cylinder (R) Φ 70 x 50 x1600	1	H=3300
	256543502705	Oil cylinder (R) Φ 70 x 50 x1700	1	H=3500
	256543502706	Oil cylinder (R) Φ 70 x 50 x1750	1	H=3600
	256543502707	Oil cylinder (R) Φ 70 x 50x1800	1	H=3700
	256543502708	Oil cylinder (R) Φ 70 x 50 x1950	1	H=4000
	256543502709	Oil cylinder (R) Φ 70 x 50 x2200	1	H=4500
	256543502710	Oil cylinder (R) Φ 70 x 50 x2300	1	H=4700
	256543502711	Oil cylinder (R) Φ 70 x 50 x2450	1	H=5000
	256543502712	Oil cylinder (R) Φ 70 x 50 x2950	11	H=6000
B	256543502601	Oil cylindel (L) Φ 70 x 50 x1200	1	H=2500
	256543502602	Oil cylindel (L) Φ 70 x 50 x1300	1	H=2700
	256543502603	Oil cylindel (L) Φ 70 x 50 x1450	1	H=3000
	256543502604	Oil cylindel (L) Φ 70 x 50 x1600	1	H=3300
	256543502605	Oil cylindel (L) Φ 70 x 50 x1700	1	H=3500
	256543502606	Oil cylindel (L) Φ 70 x 50 x1750	1	H=3600
	256543502607	Oil cylindel (L) Φ 70 x 50x1800	1	H=3700
	256543502608	Oil cylindel (L) Φ 70 x 50 x1950	1	H=4000
	256543502609	Oil cylindel (L) Φ 70 x 50 x2200	1	H=4500
	256543502610	Oil cylindel (L) Φ 70 x 50 x2300	1	H=4700
	256543502611	Oil cylindel (L) Φ 70 x 50 x2450	1	H=5000
	256543502612	Oil cylindel (L) Φ 70 x 50 x2950	1	H=6000
1	▲	Cylinder block	2	
2	▲	Hexagon socket cap screw	2	
3	▲	Combination seal washer	2	
4	▲	Shaft seal	2	

Note: components are not provided separately

Lifting oil cylinder (second full free mast)

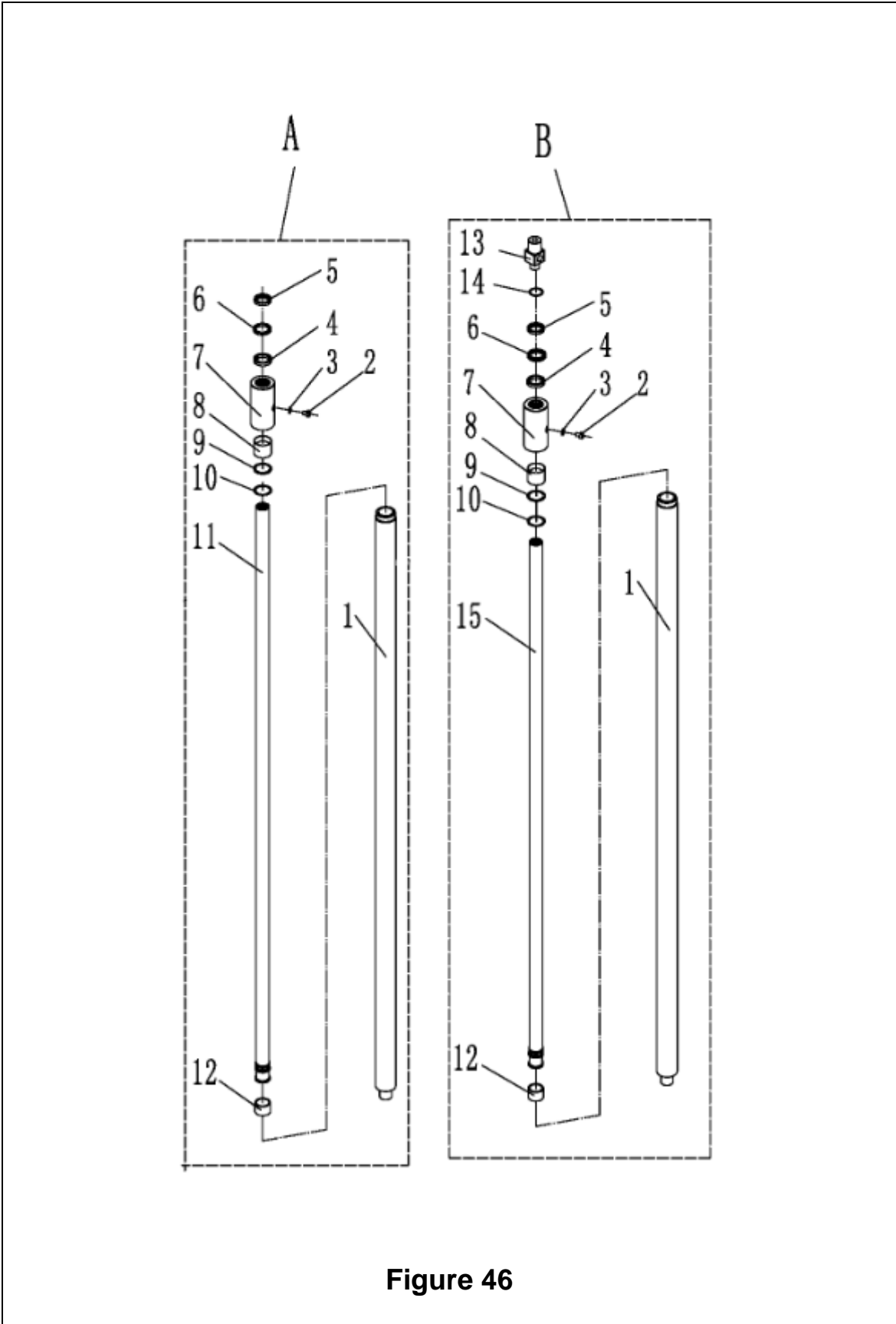


Figure 46

Figure46 Lifting oil cylinder (Second full free mast)

NO	SN	Name	QTY	Remarks
5	▲	Shield	2	
6	▲	Retaining ring	2	
7	▲	Cylinder head	2	
8	▲	The steel back of the bearing	2	
9	▲	O-ring rubber seal	2	
10	▲	Retaining ring	2	
11	▲	Right the piston rod	1	
12	▲	Support rings for holes	2	
13	▲	The left cylinder joint	1	
14	▲	O-ring rubber seal	1	
15	▲	Left the piston rod	1	
16	▲	Steel body	1	
A	256598510003	Seal repair package (lifting cylinder)	2	include2.12.13.16

Note: components are not provided separately

Short lift cylinder (three full free mast)

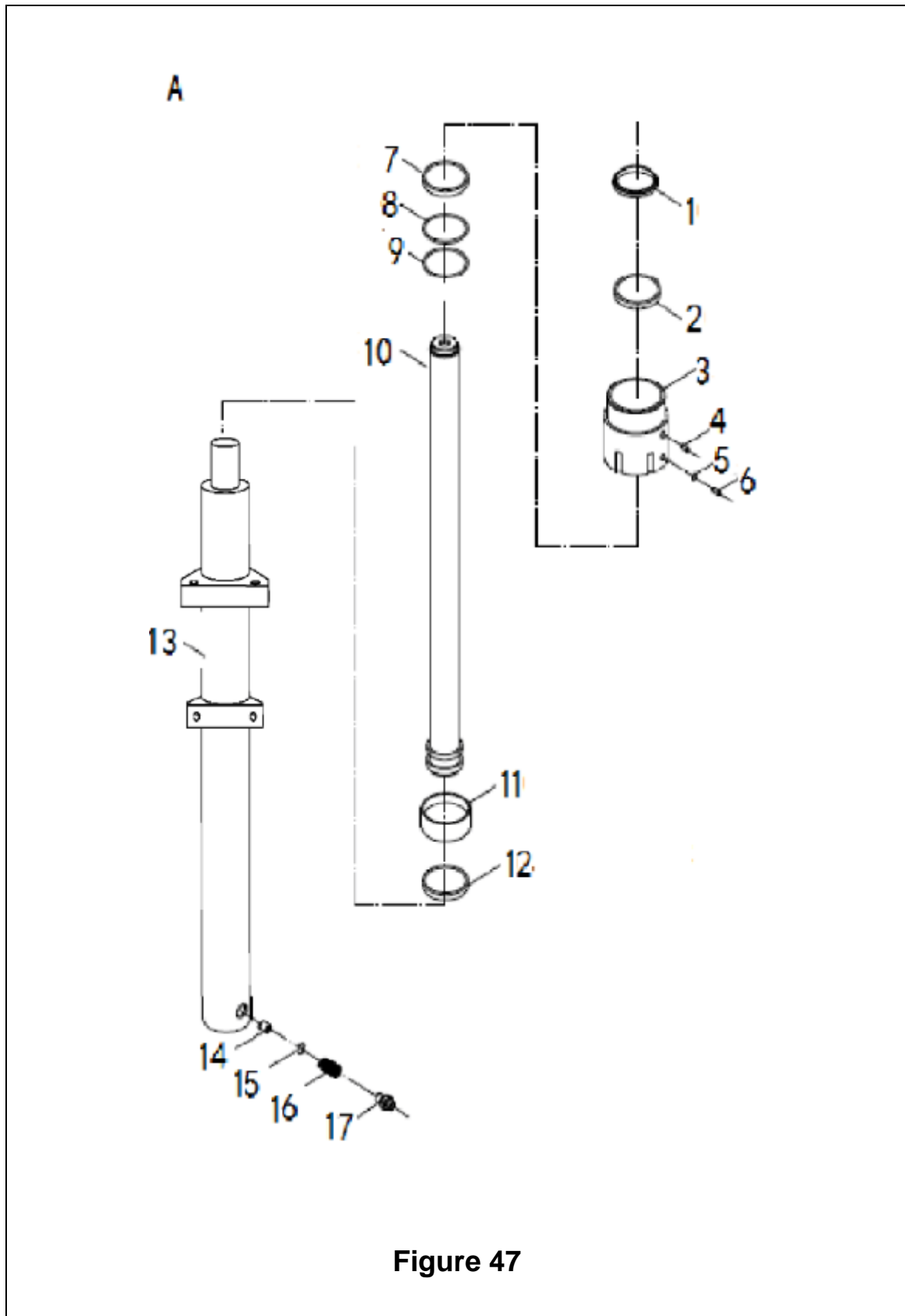


Figure47 Short lift cylinder (three full free mast)

NO	SN	Name	QTY	Remarks
A	256544516001	Oil cylinder Φ 70 x 50 x1230	1	H=3700
	256544516002	Oil cylinder Φ 70 x 50 x1330	1	H=4000
	256544516003	Oil cylinder Φ 70 x 50 x1445	1	H=4350
	256544516004	Oil cylinder Φ 70 x 50 x1495	1	H=4500
	256544516005	Oil cylinder Φ 70 x 50 x1595	1	H=4800
	256544516006	Oil cylinder Φ 70 x 50 x1610	1	H=5000
	256544516007	Oil cylinder Φ 70 x 50 x1775	1	H=5500
	256544516008	Oil cylinder Φ 70 x 50 x1970	1	H=6000
1	▲	Skeleton dust trap	1	
2	▲	Retaining ring	1	
3	▲	Cylinder head	1	
4	▲	Shaft seal	1	
5	▲	O-ring (outer 115 x3-1)	1	
6	▲	The steel back of the bearing	1	
7	▲	Retaining ring	1	
8	▲	O-ring (outer 110x3-1)	1	
9	▲	Hexagon socket cap screw (M8x8 blackening)	1	
10	▲	The piston rod	1	
11	▲	Combination gasket 6	1	
12	▲	The piston assembly	1	
13	▲	Cylinder assembly	1	
14	▲	G shape spring	1	
15	▲	The hole is circled with a lattice	1	
16	▲	Support rings for holes	1	
17	▲	The valve core	1	
A	256598510004	Seal repair package (intermediate cylinder)	1	include 1/2/3/5/11

Note: components are not provided separately

Lifting oil cylinder (three full free mast)

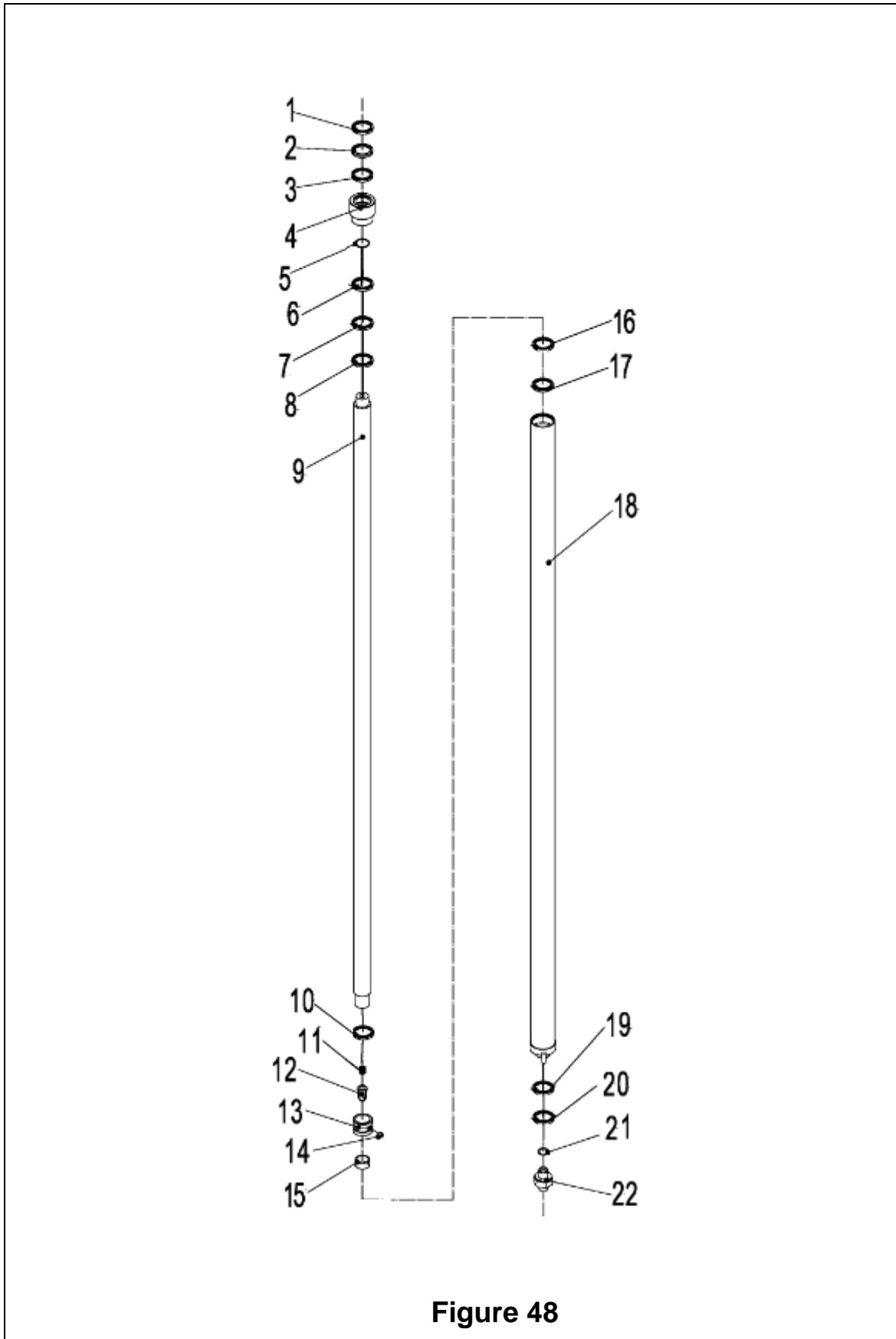


Figure 48

Figure48 Lifting oil cylinder (three full free mast)

NO	SN	Name	QTY	Remarks
A	256544516001	Oil cylinder Φ 70 x 50 x1230	2	H=3700
	256544516002	Oil cylinder Φ 70 x 50 x1330	2	H=4000
	256544516003	Oil cylinder Φ 70 x 50 x1445	2	H=4350
	256544516004	Oil cylinder Φ 70 x 50 x1495	2	H=4500
	256544516005	Oil cylinder Φ 70 x 50 x1595	2	H=4800
	256544516006	Oil cylinder Φ 70 x 50 x1610	2	H=5000
	256544516007	Oil cylinder Φ 70 x 50 x1775	2	H=5500
	256544516008	Oil cylinder Φ 70 x 50 x1970	2	H=6000
1	▲	Framework dust shield DKB 50×62×7/10	1	
2	▲	Shaft seal D2 50 * 60 * 6	1	
3	▲	Guide sleeve	1	
4	▲	Cylinder head	1	
5	▲	O rubber seal 80×3.55	1	
6	▲	The steel back of bearing SF - 1 / Φ 55 × Φ 50 × 27	1	
7	▲	Slotted flat end set screw M8×8	1	
8	▲	The nylon pad Φ 6 x 3	1	
9	▲	The piston rod	1	
10	▲	O rubber seal ring (inner 50X2)	1	
11	▲	Adjust the set of	2	
12	▲	Shaft with steel ring Φ 34 x Φ 2	1	
13	▲	The piston	1	
14	▲	Bore bearing ring D 70×25×2.5	1	
15	▲	The buffer set	1	
16	▲	Hole sealing OSI70 * 60 * 6	1	
17	▲	Retaining ring Φ 60 x Φ 70 x 3	1	
18	▲	Cylinder assembly	1	
19	▲	Steel wire ring Φ 27 x Φ 2.5	1	
20	▲	Spring Φ 17.3 x 2.3 x 48.5 Φ	1	
21	▲	The cylindrical pin 10 x 25	1	
22	▲	The valve core Φ 23 Φ 5.2 x 31 six hole	1	
A	256598510006	Seal repair package (lifting cylinder)	1	include1/2/3/ 5/11

Tilt cylinder

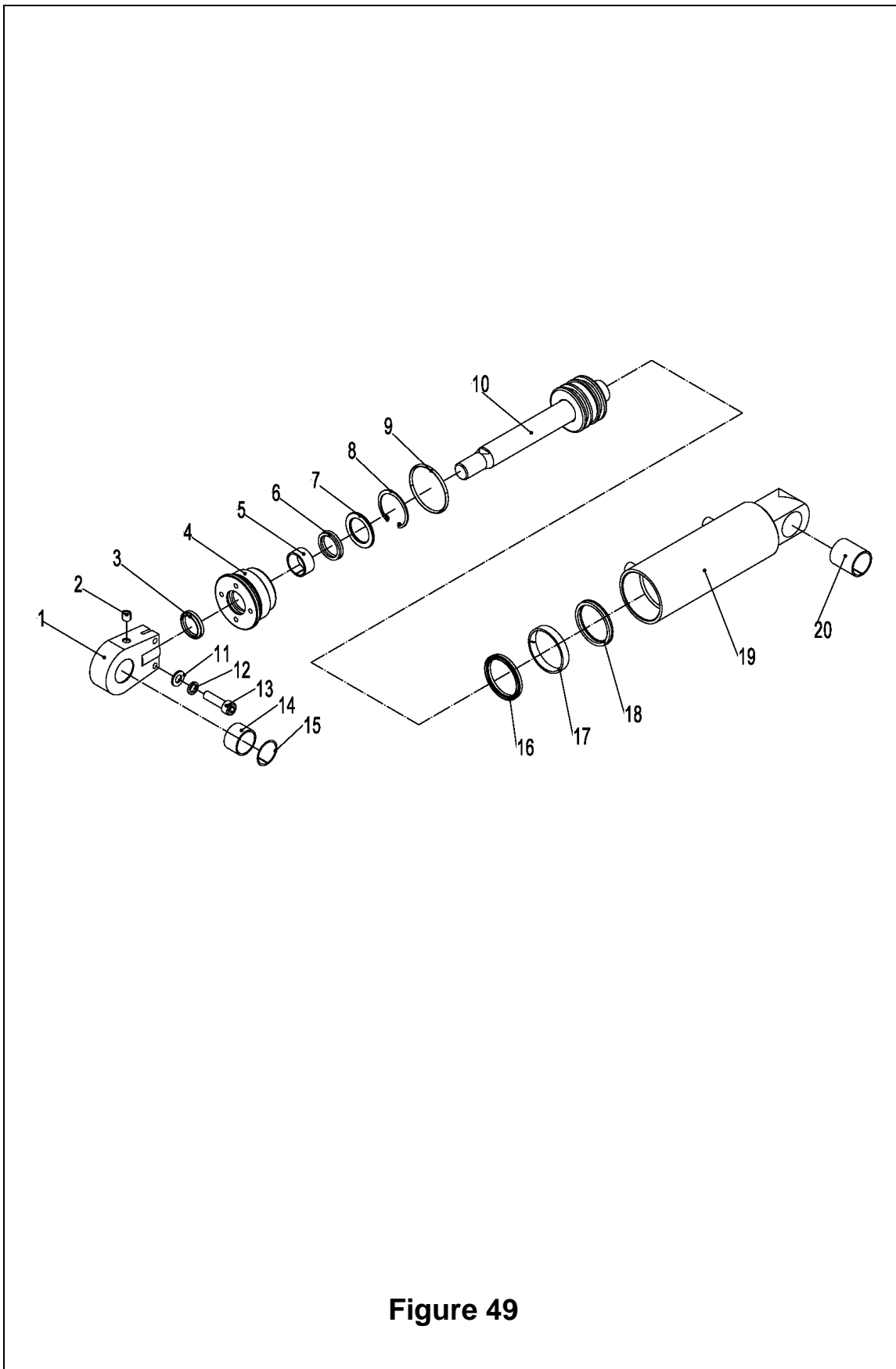


Figure 49

Figure49**Tilt cylinder**

NO	SN	Name	QTY	Remarks
A	256520510001	Oil cylinder (TL) Φ 90 x 45 x121 (6/10)	1	Single drive
	256520510051	Oil cylinder (TL) Φ 90 x 45 x121 (6/9)	1	Double drive
	256520510002	Oil cylinder (TL) Φ 90 x 45 x121 (6/6)	1	Single drive
	256520510052	Oil cylinder (TL) Φ 90 x 45 x121 (6/6)	1	Double drive
	256520510003	Oil cylinder (TL) Φ 90 x 45 x121 (3/6)	1	Single drive
	256520510053	Oil cylinder (TL) Φ 90 x 45 x121 (3/6)	1	Double drive
B	256520510004	Oil cylinder (RL) Φ 90 x 45 x121 (6/10)	1	Single drive
	256520510054	Oil cylinder (RL) Φ 90 x 45 x121 (6/9)	1	Double drive
	256520510005	Oil cylinder (RL) Φ 90 x 45 x121 (6/6)	1	Single drive
	256520510055	Oil cylinder (RL) Φ 90 x 45 x121 (6/6)	1	Double drive
	256520510006	Oil cylinder (RL) Φ 90 x 45 x121 (3/6)	1	Single drive
	256520510056	Oil cylinder (RL) Φ 90 x 45 x121 (3/6)	1	Double drive
2	▲	Straight through nozzle M10	1	
3	▲	DH28x36x4. 5 x6	1	
4	▲	Guide sleeve	1	
5	▲	Steel back bearing 28x32x15	1	
6	▲	DH28x36x6	1	
7	▲	28 x38x3 block slice	1	
8	▲	Retaining ring 47	1	
9	▲	O-rings d60x3. 55	1	
10	▲	The piston rod	1	
11	▲	Flat washer	1	
12	▲	Spring washer	1	
13	▲	Screw	1	
14	▲	Joint bearing 30ES	1	
15	▲	Retaining ring	1	
16	▲	Hole with 50 x60x6	1	
17	▲	55 x60x10 bearing ring	1	
18	▲	Hole with 50 x60x6	1	
19	▲	Cylinder liner	1	
20	▲	Steel back bearing 30x34x38	1	
C	256598510005	Sealing package (inclined cylinder)	1	include3\6\16\17\18

Note: components are not provided separately

Electric system(Inmotion)

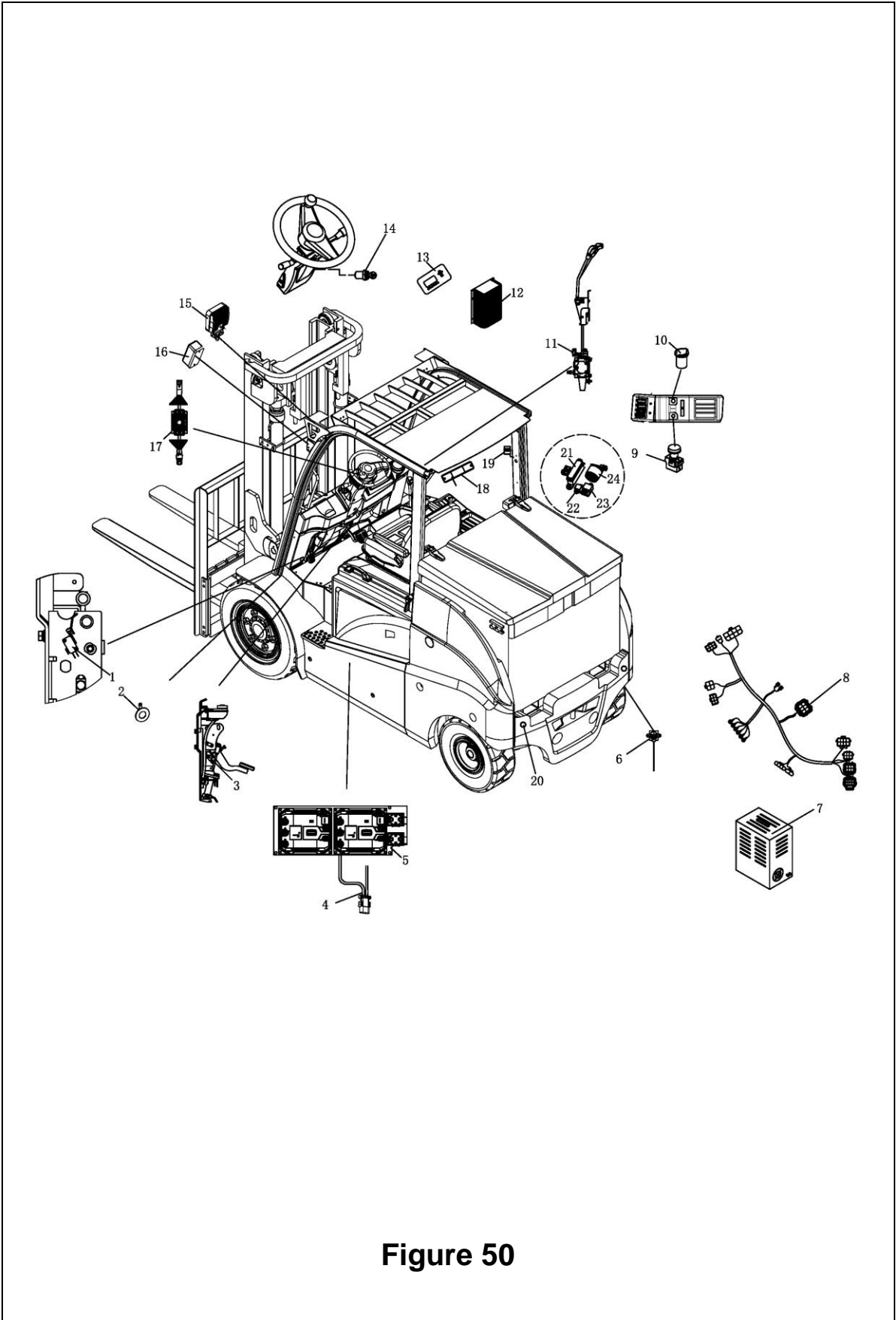


Figure 50

Figure50**Electric system(Inmotion)**

NO	SN	Name	QTY	Remarks
1	920200300009	Micro switch RV- 166-1c25	1	
2	920500100001	The horn 125 - DC24V	1	
3	920201000002	Foot switch JK231	1	
4	256533010004	Main power harness	1	
5	256533010021	Electronic control module (Inmotion-4p50n-3)	1	Single drive single pump
	256533010002	Electronic control module (Inmotion-4P50N)	1	Single drive double pump
	256533010023	Electronic control module (Inmotion-4p50n-4)	1	Double drive single pump
	256533010015	Electronic control module (Inmotion-4p50n-2)	1	Double drive double pump
6	921800200010	Potentiometer Vert-X-2831-405-221-102	1	
7	921000200085	Charger SN80V80A(Asia Chinese)	1	630Ah/650Ah
	921000200086	Charger SN80V80A(Asia English)	1	630Ah/650Ah
	921000200087	Charger SN80V80A(Euro)	1	630Ah/650Ah
	921000200089	Charger SN80V80A(Australia)	1	630Ah/650Ah
	921000200090	Charger SN80V80A(USA)	1	630Ah/650Ah
7	921000200091	Charger SN80V100A(Asia Chinese)	1	700Ah/750Ah
	921000200092	Charger SN80V100A(Asia English)	1	700Ah/750Ah
	921000200093	Charger SN80V100A(Euro)	1	700Ah/750Ah
	921000200095	Charger SN80V100A(Australia)	1	700Ah/750Ah
	921000200096	Charger SN80V100A(USA)	1	700Ah/750Ah
8	256533010020	Body harness (Inmotion- 4p50n-3)	1	single drive single pump
	256533010001	Body harness (Inmotion-4P50N)	1	Single drive double pump
	256533010022	Body harness (Inmotion- 4p50n-4)	1	Double drive single pump
	256533010016	Body harness (Inmotion- 4p50n-2)	1	Double drive double pump
9	920200100002	Emergency stop switch ce4t-10r-01	1	
10	921900100004	The converter DC24V to 5V	1	

Electric System(Inmotion)

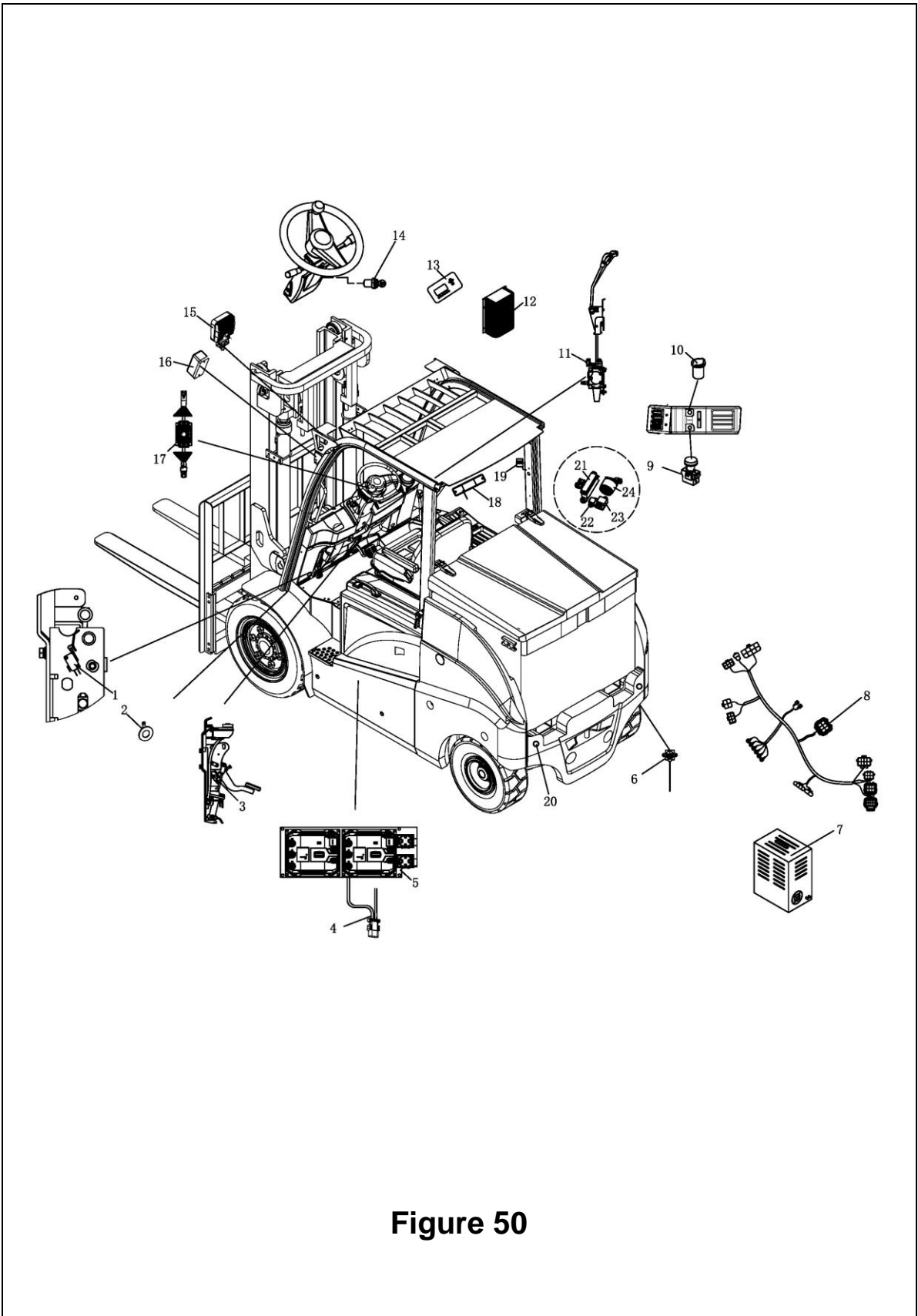


Figure 50

Figure50**Electric system(Inmotion)**

NO	SN	Name	QTY	Remarks
11	920200300004	Micro switch rz-15gq22-b3	3	
12	921900100002	The converter DC80V to 24V	1	
13	921100100032	Instrument IDD	1	
14	920200200002	Key switch KEYA	1	
15	922000100001	Lamp PDL - LXZM - 1	2	
16	922000100002	Lamp PDL - LXXD - 1	2	
17	920200800013	Combination switch jk 361b-1003	1	
18	922000100003	Lamp PDL - LXHW - 2	2	
19	922000100004	Lamp PDL - LXJD - 01 y	1	
20	256556510010	Reversing radar Φ 22	2	
21	920100400008	Fuse box BX2081X	1	
22	920800100002	Relay DC24V - HFV4	1	
23	922000100005	Lamp SG252-24 v	1	
24	920500100002	Horn buzzer djb-24b	1	

Electronic components (SD)

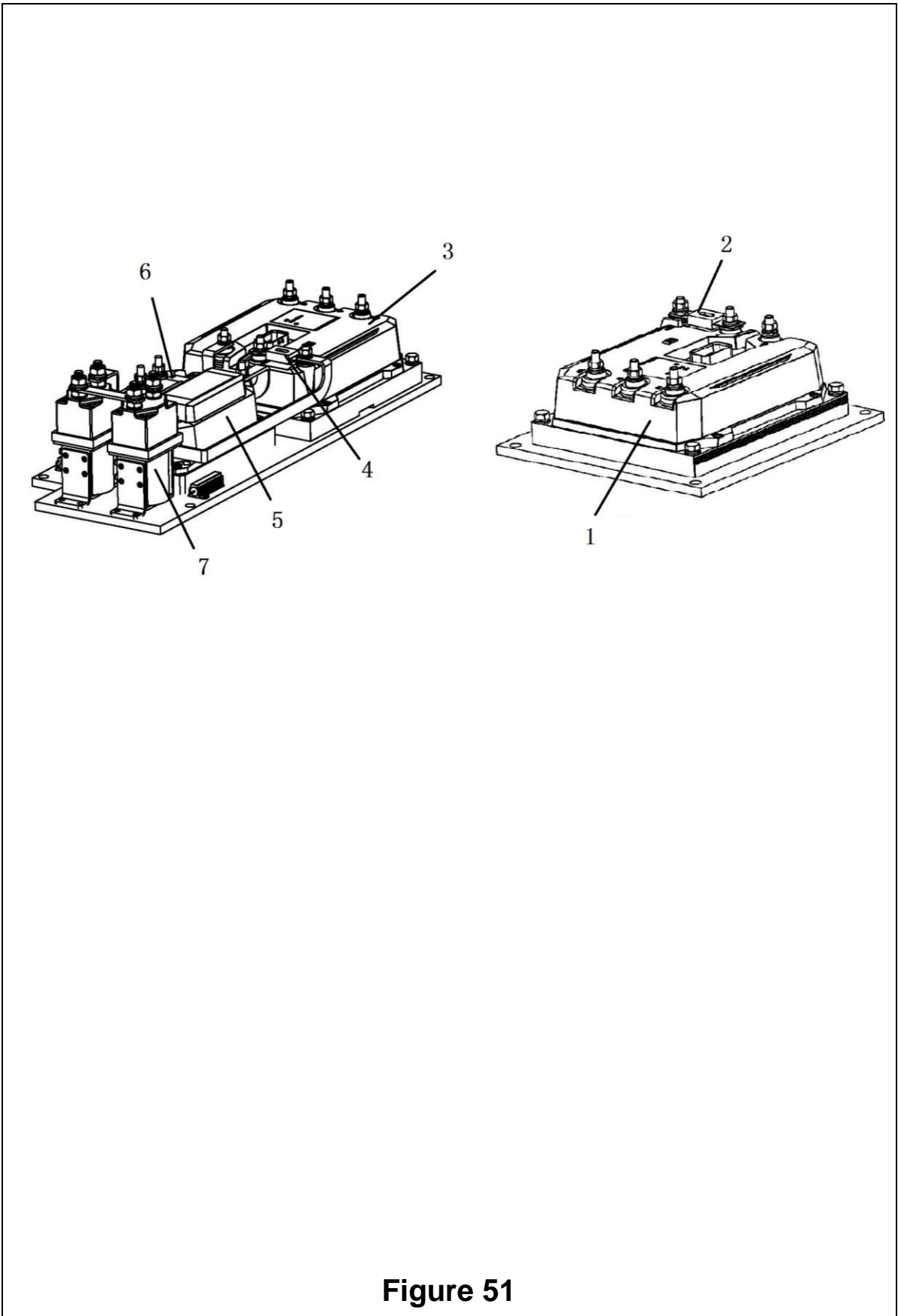


Figure 51

Figure51 Electronic components (SD)

NO	SN	Name	QTY	Remarks
1	921400100098	The controller ACS80L 35 p-440c	1	
2	920100100014	Fuse 500A(ceramic)	1	
3	921400100072	The controller ACS80M 35 p-330c	1	
4	920100100013	Fuse 350A(ceramic)	1	
5	921400100073	The controller ACS80M-330c-23 p	1	
6	920100100010	Fuse 250A(ceramic)	1	
7	920700100006	Contactora DC80V-SW200-583	2	

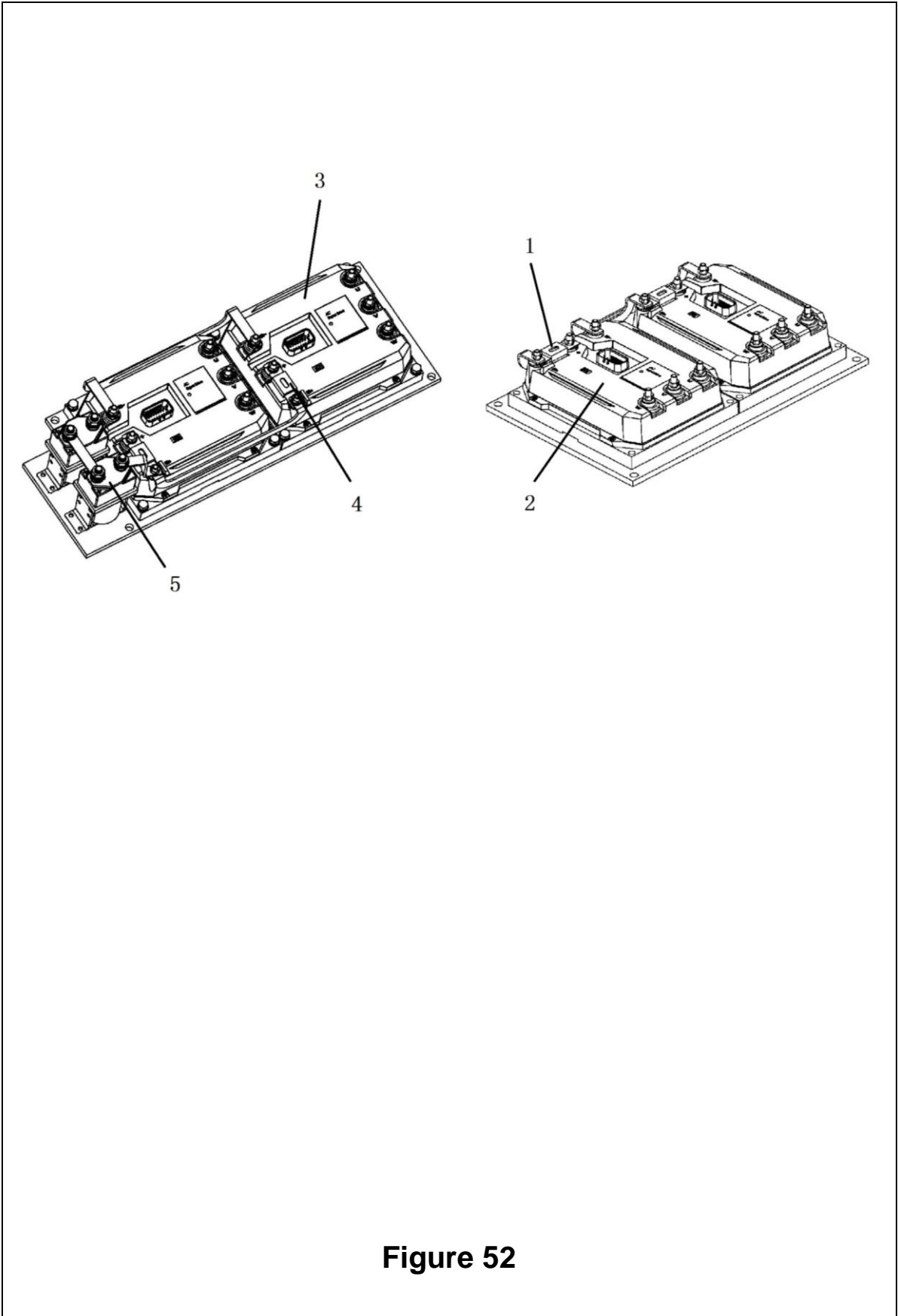


Figure 52

Figure52 Electronic components (DD)

NO	SN	Name	QTY	Remarks
1	921400100072	The controller ACS80M 35 p-330c	2	
2	920100100013	Fuse 350A(ceramic)	2	
3	921400100073	The controller ACS80M-330c-23 p	2	
4	920100100012	Fuse 300A(ceramic)	2	
5	920700100006	Contactore DC80V-SW200-583	2	

Power connector assembly

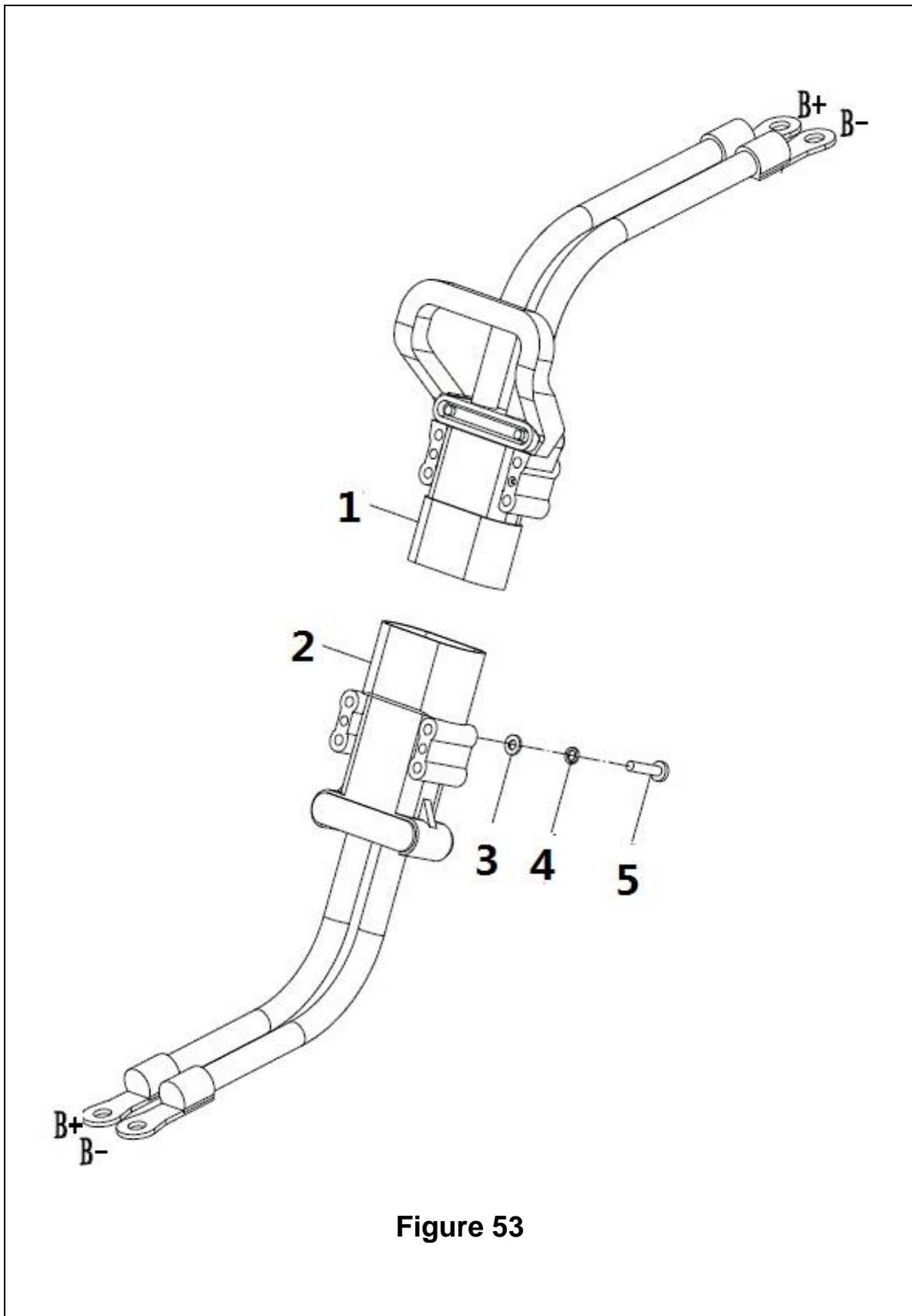


Figure 53

Figure53 Power connector assembly

NO	SN	Name	QTY	Remarks
1	920400100033	Connectors REMA95500-01	1	Male head
2	920400100013	Connectors REMA95601-05	1	Mother's head
3	910400100005	Flat washer GB97.1-6-200 hv	4	
4	910400500005	Spring washer gb93-6	4	
5	910200200046	Screw GB70.1 M6x60-8.8	4	

Figure54**Lable**

NO	SN	Name	QTY	Remarks
A	256547001002	Label assembly	1	include 1-16
1	251047020019	Battery maintenance tips	1	
2	255047020022	NOBLELIFT x70 (495)	5	
3	255047020011	Hoisting labeling	3	
4	255047020004	Hydraulic oil label	1	
5	256547020001	Product model identification	2	
6	941200100027	Label (pinch warning)	2	
7	255047020008	No lifting sign	2	
8	255047020001	The foot brake labeling	1	
9	255047020012	Safety belt sticker	1	
10	255047020009	Prohibited to climb	1	
11	941200100004	Label (stacking combination warning)	2	
12	255047020006	Battery cover open label	1	
13	255047020020	Anti-rollover safety mark 1	1	
14	255047020021	Anti-rollover safety mark 2	1	
15	255047020010	Prompt labeling	1	
16	255047020013	It is forbidden for a	1	
17	255047520002	Nameplate (English)	1	
18	910500600002	Rivet GB827-3 x10	4	
19	255047520005	Label with side shift weight reduction	1	
20	256547520003	Load curve (sticker)	1	

NOBLELIFT

NOBLELIFT INTELLIGENT EQUIPMENT CO.,LTD.

Service hotline: 4008-836115

Wechat: nuolijixie

Postcode: 313100 email address: info@noblelift.com

Website: www.noblelift.com

Version: May,2019

