



CPD45/50F8

4500 - 5000 kg

Heavy duty 80 V

Li-Ion battery

forklift truck



- Indoor and outdoor use thanks to the rain proof components
- Lower seat height (h7) of the category for an easy operator access
- Great ergonomic design with spacious legroom, adjustable steering wheel and comfortable bucket seat
- 80V Li-Ion battery offering grant efficiency, long autonomy and occasional charge
- Multi battery chargers fulfilling different needs



Manufacturer			EP	EP
Model designation			CPD45F8 (Li-ion)	CPD50F8 (Li-ion)
Drive			Electric	Electric
Load capacity	Q	kg	4500	4999
Load center distance	c	mm	500	500
Service weight		kg	6965	7348
Retracted mast height	h1	mm	2233	2233
Lift height	h3	mm	3000	3000
Height, mast extended	h4	mm	4120	4035
Length to face of forks	l2	mm	2958	2965
Overall width	b1/b2	mm	1479	1600
Fork dimensions	s/e/l	mm	50X150X1070	55X150X1070
Turning radius	Wa	mm	2735.5	2735.5
Travel speed, laden/unladen		km/h	14/14.5	14/14.5
Lifting speed, laden/unladen		m/s	0.26/0.45	0.26/0.45
Lowering speed, laden/unladen		m/s	0.55/0.5	0.55/0.5
Max. gradeability, laden/unladen		%	14/15	14/15
Drive motor rating S2 60 min		kW	16.6/25.4	16.6/25.4
Battery voltage/nominal capacity		V/Ah	80/560	80/560

FEATURE

■ All rounder heavy duty truck

Big solid rubber tyres, rainproof components, compact dimensions and reduced turning radius make it the ideal machine for indoor and outdoor usage and meet all kind of applications.



■ Easy access and exit

The comfortable bucket seat height (h7) is just 1208mm from the ground the lower position of the category, granting an easy access and exit for the operator.



■ Easy maintenance

Main electronic and hydraulic components are positioned on protected and accessible area making the maintenance fast and easy.



■ Lithium technology to replace internal combustion engine

The lithium technology has proven itself as an emission-free and maintenance-free alternative to diesel. The CPD45 50F8(W) handles loads with consistently high performance due to opportunity charging even for the most demanding applications.



Four-wheel Electric Forklift 4.5 ton CPD45F8

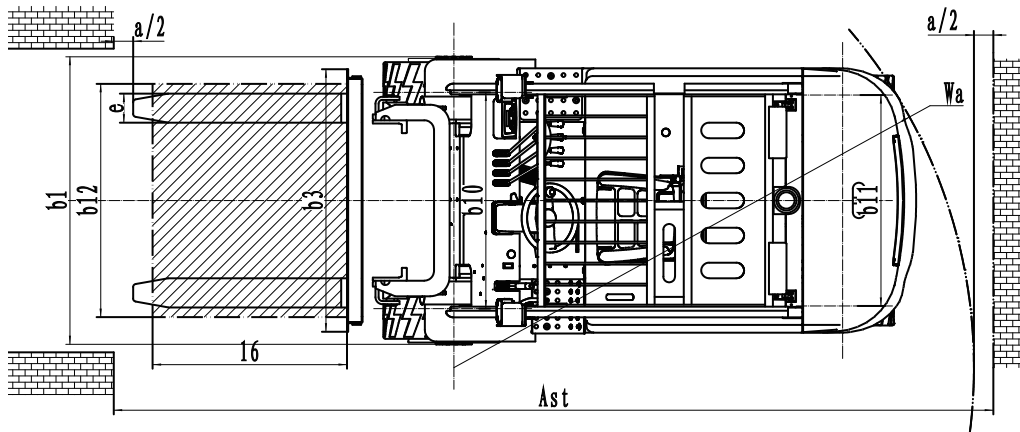
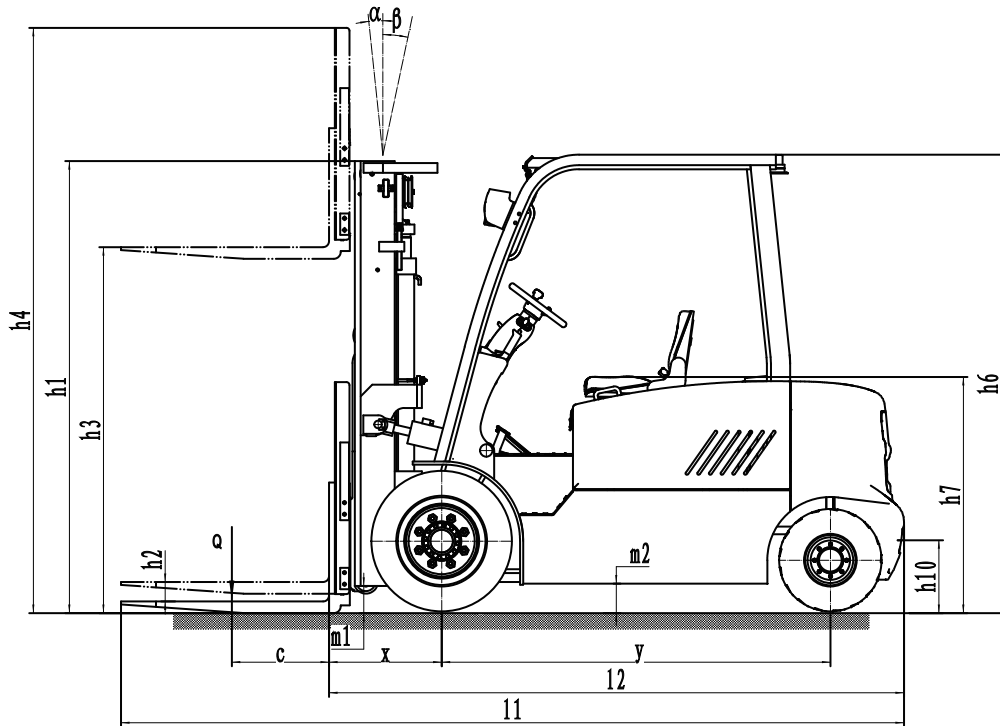
Distinguishing mark	1.1	Manufacturer			EP	EP
	1.2	Model designation			CPD45F8	CPD45F8 (Li-ion)
	1.3	Drive			Electric	Electric
	1.4	Operator type			Seated	Seated
	1.5	Load capacity	Q	kg	4500	4500
	1.6	Load center distance	c	mm	500	500
	1.8	Load distance, centre of drive axle to fork	x	mm	548	548
	1.9	Wheelbase	y	mm	2000	2000
	Service weight	2.1	Service weight		kg	6965
2.2		Axle loading, laden front/rear		kg	10228/1237	10228/1237
2.3		Axle loading, unladen front/rear		kg	3397/3568	3397/3568
Tyres/chassis	3.1	Tyre type			Solidrubber	Solidrubber
	3.2	Tyre size, front			250-15	250-15
	3.3	Tyre size, rear			23X10-12	23X10-12
	3.5	Wheels, number front/rear (x=drive wheels)		mm	2x/2	2x/2
	3.6	Tread width, front	b ₁₀	mm	1112	1112
	3.7	Tread width, rear	b ₁₁	mm	1085	1085
	Dimensions	4.1	Tilt of mast/fork carriage forward/backward	α/β	°	6/10
4.2		Retracted mast height	h ₁	mm	2233	2233
4.3		Free lift	h ₂	mm	150	150
4.4		Lift height	h ₃	mm	3000	3000
4.5		Height, mast extended	h ₄	mm	4120	4120
4.7		Height of overhead guard (cabin)	h ₆	mm	2353	2353
4.8		Seat height/standing height	h ₇	mm	1208	1208
4.12		Tow coupling height	h ₁₀	mm	375	375
4.19		Overall length	l ₁	mm	4027	4027
4.20		Length to face of forks	l ₂	mm	2958	2958
4.21		Overall width	b ₁ /b ₂	mm	1479	1479
4.22		Fork dimensions	s×e×l	mm	50X150X1070	50X150X1070
4.23		A,B Fork carriage class/type A, B			3A	3A
4.24		Fork carriage width	b ₃	mm	1250	1250
4.31		Ground clearance, laden, below mast	m ₁	mm	130	130
4.32		Ground clearance, center of wheelbase	m ₂	mm	140	140
4.34.1		Aisle width for pallets 1000×1200 crossways	A _{st}	mm	4424	4424
4.34.2	Aisle width for pallets 800×1200 lengthways	A _{st}	mm	4624	4624	
4.35	Turning radius	W _a	mm	2735.5	2735.5	
Performance data	5.1	Travel speed, laden/unladen		km/h	14/14.5	14/14.5
	5.2	Lifting speed, laden/unladen		m/s	0.26/0.45	0.26/0.45
	5.3	Lowering speed, laden/unladen		m/s	0.55/0.5	0.55/0.5
	5.6	Max. drawbar pull, laden/unladen		N	26000	26000
	5.8	Max. gradeability, laden/unladen		%	14/15	14/15
	5.10	Service brake			Hydraulic	Hydraulic
Electric-engine	5.11	Parking brake			Mechanical	Mechanical
	6.1	Drive motor rating S2 60 min		kW	16.6	16.6
	6.2	Lift motor rating at S3 15%		kW	25.4	25.4
	6.4	Battery voltage/nominal capacity		V/Ah	80/700	80/560
	6.5	Battery weight		kg	2015	530
Drive/lift mechanism	8.1	Type of drive control			AC	AC
	10.5	Steering design			Hydraulic	Hydraulic
	10.7	Sound pressure level at the driver's ear		dB(A)	75	75

If there are improvements of technical parameters or configurations, no further notice will be given.
The diagram shown may contain non-standard configurations.

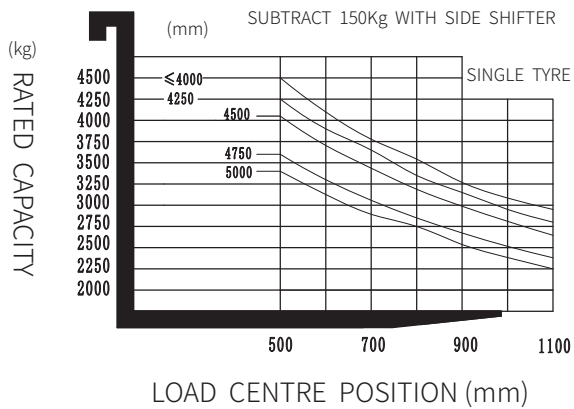
Four-wheel Electric Forklift 5.0 ton CPD50F8

Distinguishing mark	1.1	Manufacturer			EP	EP
	1.2	Model designation			CPD50F8	CPD50F8 (Li-ion)
	1.3	Drive			Electric	Electric
	1.4	Operator type			Seated	Seated
	1.5	Load capacity	Q	kg	4999	4999
	1.6	Load center distance	c	mm	500	500
	1.8	Load distance, centre of drive axle to fork	x	mm	548	548
	1.9	Wheelbase	y	mm	2000	2000
	Service weight	2.1	Service weight		kg	7348
2.2		Axle loading, laden front/rear		kg	11015/1333	11015/1333
2.3		Axle loading, unladen front/rear		kg	3493/3855	3493/3855
Tyres/chassis	3.1	Tyre type			Solidrubber	Solidrubber
	3.2	Tyre size, front			28x12.5-15	28x12.5-15
	3.3	Tyre size, rear			23X10-12	23X10-12
	3.5	Wheels, number front/rear (x=drive wheels)		mm	2x/2	2x/2
	3.6	Tread width, front	b ₁₀	mm	1262	1262
	3.7	Tread width, rear	b ₁₁	mm	1085	1085
	Dimensions	4.1	Tilt of mast/fork carriage forward/backward	α/β	°	6/10
4.2		Retracted mast height	h ₁	mm	2233	2233
4.3		Free lift	h ₂	mm	150	150
4.4		Lift height	h ₃	mm	3000	3000
4.5		Height, mast extended	h ₄	mm	4120	4120
4.7		Height of overhead guard (cabin)	h ₆	mm	2353	2353
4.8		Seat height/standing height	h ₇	mm	1208	1208
4.12		Tow coupling height	h ₁₀	mm	375	375
4.19		Overall length	l ₁	mm	4035	4035
4.20		Length to face of forks	l ₂	mm	2965	2965
4.21		Overall width	b ₁ /b ₂	mm	1600	1600
4.22		Fork dimensions	s×e×l	mm	55X150X1070	55X150X1070
4.23		A,B Fork carriage class/type A, B			3A	3A
4.24		Fork carriage width	b ₃	mm	1250	1250
Performance data		4.31	Ground clearance, laden, below mast	m ₁	mm	130
	4.32	Ground clearance, center of wheelbase	m ₂	mm	140	140
	4.34.1	Aisle width for pallets 1000×1200 crossways	Ast	mm	4450	4450
	4.34.2	Aisle width for pallets 800×1200 lengthways	Ast	mm	4650	4650
	4.35	Turning radius	Wa	mm	2735.5	2735.5
	5.1	Travel speed, laden/unladen		km/h	14/14.5	14/14.5
	5.2	Lifting speed, laden/unladen		m/s	0.26/0.45	0.26/0.45
	5.3	Lowering speed, laden/unladen		m/s	0.55/0.5	0.55/0.5
	5.6	Max. drawbar pull, laden/unladen		N	26000	26000
	5.8	Max. gradeability, laden/unladen		%	14/15	14/15
	5.10	Service brake			Hydraulic	Hydraulic
Electric-engine	5.11	Parking brake			Mechanical	Mechanical
	6.1	Drive motor rating S2 60 min		kW	16.6	16.6
	6.2	Lift motor rating at S3 15%		kW	25.4	25.4
	6.4	Battery voltage/nominal capacity		V/Ah	80/700	80/560
	6.5	Battery weight		kg	2015	530
Drive/lift mechanism	8.1	Type of drive control			AC	AC
	10.5	Steering design			Hydraulic	Hydraulic
	10.7	Sound pressure level at the driver's ear		dB(A)	75	75

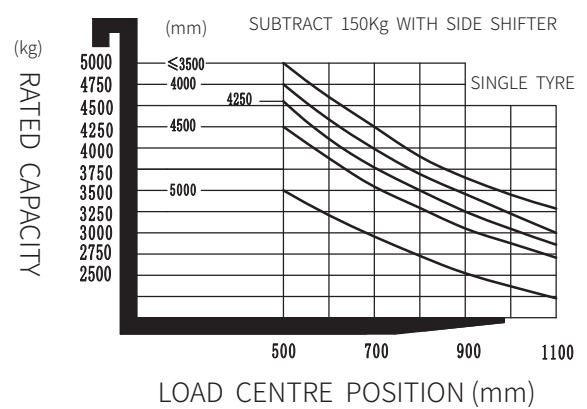
If there are improvements of technical parameters or configurations, no further notice will be given.
The diagram shown may contain non-standard configurations.



RATED CAPACITIES AND LOAD CENTERS GRAPH



RATED CAPACITIES AND LOAD CENTERS GRAPH



Mast Option

Type	Model	Max. fork height mm	Overall height			Free lift		Front Overhang mm	Tilt range		Capacity	
			Lowered mm	Extended		Without backrest mm	With backrest mm		FWD Deg	BWD Deg	Load capacity at 500 mm	
				Without backrest mm	With backrest mm						single tire	
											4.5t kg	5t kg
2-standard mast	2W300	3000	2280	4175	3770	145	145	565	6	10	4500	5000
	2W330	3300	2430	4475	4070	145	145	565	6	10	4500	5000
	2W350	3500	2530	4675	4270	145	145	565	6	10	4500	5000
	2W370	3700	2630	4875	4470	145	145	565	6	10	4350	4800
	2W400	4000	2830	5175	4770	145	145	565	6	6	4250	4750
	2W425	4250	2955	5425	5020	145	145	565	6	6	3800	4250
	2W450	4500	3080	5675	5270	145	145	565	6	6	3600	4000
2-free mast	2F271	2710	2250	3885	3480	1055	1355	565	6	10	4500	5000
	2F300	3000	2395	4175	3770	1200	1500	565	6	10	4500	5000
	2F330	3300	2545	4475	4070	1350	1650	565	6	10	4500	5000
	2F350	3500	2645	4675	4270	1450	1750	565	6	10	4500	5000
3-free mast	3F400	4000	2080	4780	5200	1230	900	578	6	6	4000	4500
	3F435	4350	2195	5130	5550	1345	1015	578	6	6	3800	4250
	3F450	4500	2245	5280	5700	1395	1065	578	6	6	3600	4000
	3F470	4700	2310	5480	5900	1460	1130	578	6	6	3350	3750
	3F500	5000	2460	5780	6200	1610	1280	578	6	6	3150	3500
	3F550	5500	2680	6280	6700	1830	1500	578	3	6	2550	2850
	3F600	6000	2845	6780	7200	1995	1665	578	3	6	1950	2200



Standard and optional configuration

Optional items	CPD45F8	CPD50F8
Fork dimension	<ul style="list-style-type: none"> ● 150*50*1070○ 150*50*1150○ 150*50*1220 ○ 150*50*1370○ 150*50*1520○ 150*50*1600 ○ 150*50*1670○ 150*50*1800○ 150*50*2000 	<ul style="list-style-type: none"> ● 150*55*1070○ 150*55*1150○ 150*55*1220 ○ 150*55*1370○ 150*55*1520○ 150*55*1600 ○ 150*55*1670○ 150*55*1820○ 150*55*2000
Fork carriage width	● 1250mm○ Yes and can be customized	● 1250mm○ Yes and can be customized
backrest height	● 1040mm○ Yes and can be customized	● 1040mm○ Yes and can be customized
Drive wheel material	● Rubber	● Rubber
Front wheel type	● Single	● Single
Front wheel material	● Solid rubber○ Non-marking solid	● Solid rubber○ Non-marking solid
Rear wheel material	● Solid rubber○ Non-marking solid	● Solid rubber○ Non-marking solid
Battery capacity	● 80V700AH	● 80V700AH
Charger	● 80V-100A external	● 80V-100A external
Battery indicator	● With time	● With time
Seat type	<ul style="list-style-type: none"> ● Premium○ Suspension ○ Suspension + seatbelt logic switch ○ Premium + seatbelt logic switch 	<ul style="list-style-type: none"> ● Premium○ Suspension ○ Suspension + seatbelt logic switch ○ Premium + seatbelt logic switch
Attachments	<ul style="list-style-type: none"> ● No○ External side shifter ○ Fork positioner○ Clamp 	<ul style="list-style-type: none"> ● No○ External side shifter ○ Fork positioner○ Clamp
Traction pin	● Yes and not customized	● Yes and not customized
Electrostatic chain	● No○ Yes and not customized	● No○ Yes and not customized
Water auto-filling system	● No○ Yes and not customized	● No○ Yes and not customized
Front lamp	● LED	● LED
Rear lamp	● No○ LED	● No○ LED
Warning lamp	● Yes and not customized	● Yes and not customized
Steering lamp	● LED	● LED
Blue lamp	● No○ Yes and not customized	● No○ Yes and not customized
Area warning lamp	● No○ Yes and not customized	● No○ Yes and not customized
Rearview mirror	● Yes and not customized○ 2 rearview mirror	● Yes and not customized○ 2 rearview mirror
Buzzer	● Yes and not customized	● Yes and not customized
Fire extinguisher	● No○ Yes and not customized	● No○ Yes and not customized
OPS system	● No○ Yes and not customized	● No○ Yes and not customized
USB interface	● No○ Yes and not customized	● No○ Yes and not customized
Step on the safety switch with both feet	● Yes and not customized	● Yes and not customized
Telematics	● No○ Yes and not customized	● No○ Yes and not customized
Fan heater	● No○ Yes and not customized	● No○ Yes and not customized
Wiper water unit	● No○ Yes and not customized	● No○ Yes and not customized
Speed reduction for elevated mast- Australian standard	● No○ Yes and not customized	● No○ Yes and not customized
Cabin	<ul style="list-style-type: none"> ● No○ Basic half cabin ○ Upgrade half cabin○ Full cabin 	<ul style="list-style-type: none"> ● No○ Basic half cabin ○ Upgrade half cabin○ Full cabin
Overhead guard	● Yes and not customized	● Yes and not customized
Note: ● standard ○ option — NA		

Standard and optional configuration

Optional items	CPD45F8 (Li-ion)	CPD50F8(Li-ion)
Fork dimension	<ul style="list-style-type: none"> ● 150*50*1070○ 150*50*1150○ 150*50*1220 ○ 150*50*1370○ 150*50*1520○ 150*50*1600 ○ 150*50*1670○ 150*50*1800○ 150*50*2000 	<ul style="list-style-type: none"> ● 150*55*1070○ 150*55*1150○ 150*55*1220 ○ 150*55*1370○ 150*55*1520○ 150*55*1600 ○ 150*55*1670○ 150*55*1820○ 150*55*2000
Fork carriage width	● 1250mm○ Yes and can be customized	● 1250mm○ Yes and can be customized
backrest height	● 1040mm○ Yes and can be customized	● 1040mm○ Yes and can be customized
Drive wheel material	●Rubber	●Rubber
Front wheel type	● Single	● Single
Front wheel material	● Solid rubber○ Non-marking solid	● Solid rubber○ Non-marking solid
Rear wheel material	● Solid rubber○ Non-marking solid	● Solid rubber○ Non-marking solid
Battery capacity	● 80V560AH	● 80V560AH
Charger	● 80V-200A external○ 80V-150A external	● 80V-200A external○ 80V-150A external
Battery indicator	● With time	● With time
Seat type	<ul style="list-style-type: none"> ● Premium○ Suspension ○ Suspension + seatbelt logic switch ○ Premium + seatbelt logic switch 	<ul style="list-style-type: none"> ● Premium○ Suspension ○ Suspension + seatbelt logic switch ○ Premium + seatbelt logic switch
Attachments	<ul style="list-style-type: none"> ● No○ External side shifter ○ Fork positioner○ Clamp 	<ul style="list-style-type: none"> ● No○ External side shifter ○ Fork positioner○ Clamp
Traction pin	● Yes and not customized	● Yes and not customized
Electrostatic chain	● No○ Yes and not customized	● No○ Yes and not customized
Front lamp	● LED	● LED
Rear lamp	● No○ LED	● No○ LED
Warning lamp	● Yes and not customized	● Yes and not customized
Steering lamp	● LED	● LED
Blue lamp	● No○ Yes and not customized	● No○ Yes and not customized
Area warning lamp	● No○ Yes and not customized	● No○ Yes and not customized
Rearview mirror	● Yes and not customized○ 2 rearview mirror	● Yes and not customized○ 2 rearview mirror
Buzzer	● Yes and not customized	● Yes and not customized
Fire extinguisher	● No○ Yes and not customized	● No○ Yes and not customized
OPS system	● No○ Yes and not customized	● No○ Yes and not customized
USB interface	● No○ Yes and not customized	● No○ Yes and not customized
Step on the safety switch with both feet	● Yes and not customized	● Yes and not customized
Telematics	● No○ Yes and not customized	● No○ Yes and not customized
Fan heater	● No○ Yes and not customized	● No○ Yes and not customized
Wiper water unit	● No○ Yes and not customized	● No○ Yes and not customized
Speed reduction for elevated mast- Australian standard	● No○ Yes and not customized	● No○ Yes and not customized
Heating system during lithium battery charging	● No○ Yes and not customized	● No○ Yes and not customized
Cabin	<ul style="list-style-type: none"> ● No○ Basic half cabin ○ Upgrade half cabin○ Full cabin 	<ul style="list-style-type: none"> ● No○ Basic half cabin ○ Upgrade half cabin○ Full cabin
Overhead guard	●Yes and not customized	●Yes and not customized

Note: ● standard ○ option — NA